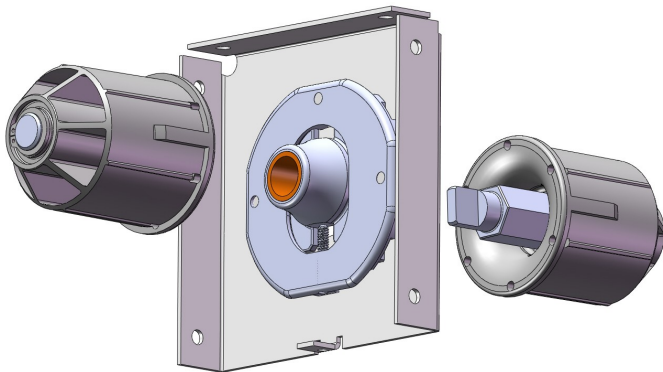




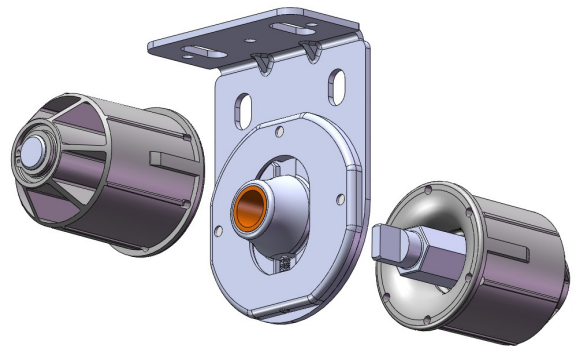
INDUSTRIES INC.

**ADJUSTABLE HEIGHT
COUPLERS
FOR MOTORIZED
SHADES**

CIERA Industries Inc, a USA based company is introducing new, easy to install shade coupling brackets for motorized roller shades.



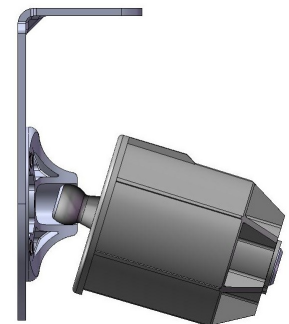
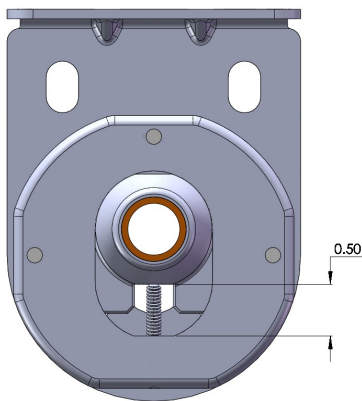
**Adjustable Height 4" Fascia
Coupler Bracket**



**Adjustable Height Short
Coupler Bracket**

Features and Benefits:

- Motorized roller shade hardware is designed to work with Somfy star head motors
- Height of the shade can be adjusted by 1/2" eliminating need for shims and reducing installation time
- Brackets and couplers are designed to maintain 7/8" spacing between the shades
- Brackets are assembled as ceiling mounts as well as left and right side wall mounts
- Adjustable height option is available in 4" fascia bracket
- Collapsible idler and coupler assembly fits into 2" plain wall tubes or larger tubes with internal keys
- Housing of the idler is made out of very durable Nylon material.
- Metal components are Zinc coated to prevent from harmful outside environment
- Maximum roll-up diameter - 4 1/8" (short brackets).
- Maximum roll-up diameter - 3 7/8" (4" fascia brackets)
- Maximum bracket weight capacity - 40lbs.



Idler end installation

Innovative collapsible idler allows for easy, one person installation by resting ball-end of the spring loaded shaft on the idler while rotating motor end of the shade into motor

CIERA Industries Inc.
Valencia CA

661-263-8505 Phone
661-263-8305 Fax
sales@cierainc.com E-mail
www.cierainc.com Website