

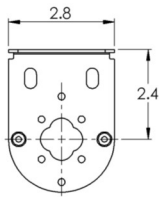


Motorized Multiple Band Shade System

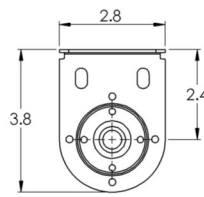
INDUSTRIES INC.

CIERA Industries Inc, a USA based company is introducing new, **Motorized Multiple Band Shade System**

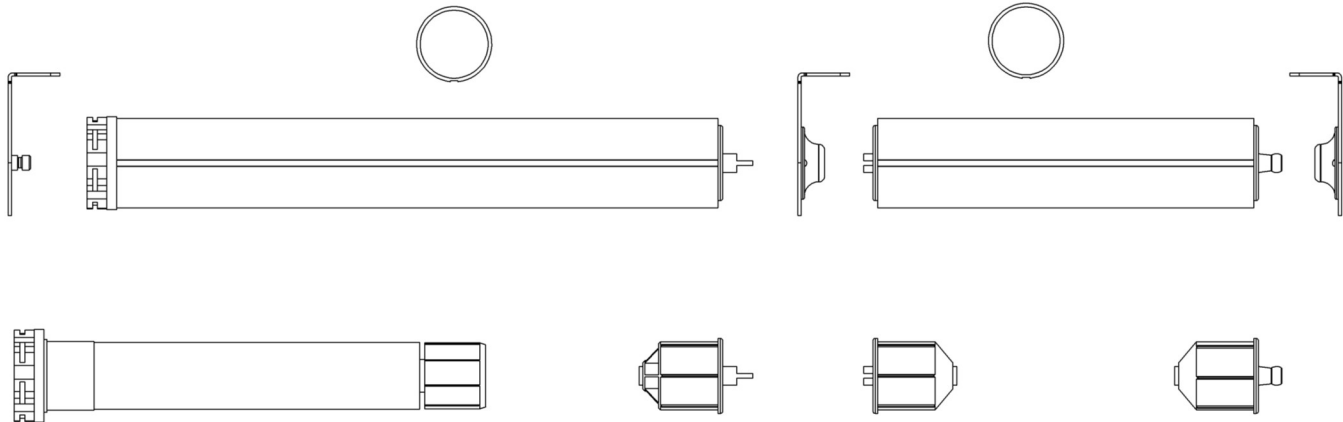
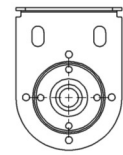
Motor Bracket



Coupler Bracket



Idler Bracket



AC Motorized Multiple Band Roller Shade System

A multiple-banded shade is a set of individual shades (generally 2 to 5 fabric bands) that are connected together by shade coupler brackets. These fabric bands are all run off of an individual motor. In other words, 1 motor can operate anywhere from 2 to 5 shade bands at one time. Please note that for this application, shades cannot be controlled individually; each set of coupled shades will always raise and lower together in unison. A multiple-banded shade application reduces the number of motors required for a given job and eliminates additional wiring expenses that might have been required for additional motors.

Features and Benefits:

- Motorized roller shade hardware is designed to work with Somfy star head motors.
- Motor, idler and coupler bracket allow for even 7/8" light gap
- Collapsible idler and coupler assembly fits into 2" plain wall tubes or larger tubes with internal keys
- Housing of the idler and couplers is made out of very durable Nylon
- Metal components are Zinc plated
- Maximum roll-up diameter - 4"

Positive Reasons for using Multiple-Banded Shades:

- Reduction of motor costs
- Reduction of electrician costs
- Break up very large shades into smaller ones

Negative Reasons for not using Multiple-Banded Shades:

- More complex bracket installation
- Group control of shades only
- All shades must be the same height

The Multiple-Band Straight Line Center Support System Features:

- A minimal 7/8" light gap between fabric panels
- A tongue and groove locking system for firm fitting
- Spring loaded center support insert pin for simple installation and removal

CIERA Industries Inc.
Valencia CA

661-263-8505 Phone
661-263-8305 Fax
sales@cierainc.com E-mail
www.cierainc.com Website