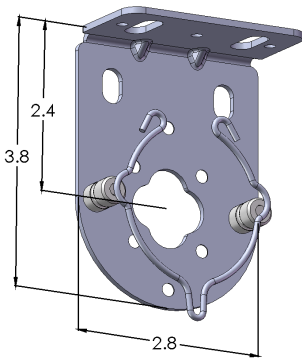




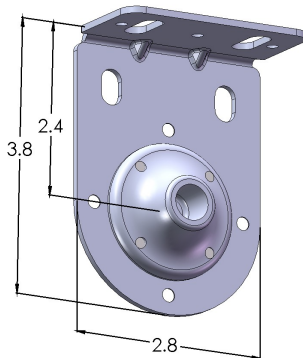
INDUSTRIES INC.

BRACKETS FOR MOTORIZED ROLLER SHADES

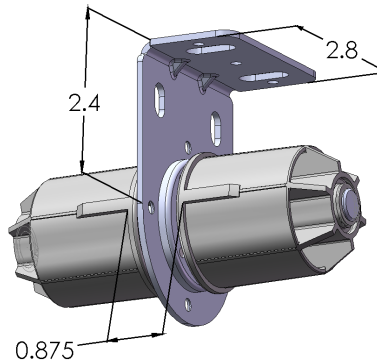
CIERA Industries Inc, a USA based company is introducing new, easy to install brackets for motorized roller shades.



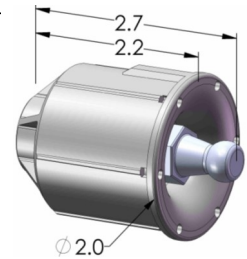
Motor bracket



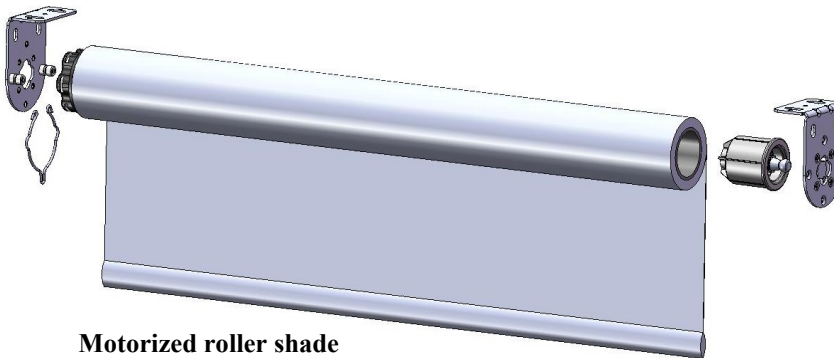
Idler bracket



Coupler bracket assembly



Collapsible idler



Motorized roller shade



Idler-end installation

Features and Benefits:

- Motorized roller shade hardware is designed to work with Somfy star head motors
- Motor, idler and coupler brackets allow for even 7/8" light gap
- Collapsible idler and coupler assembly fits into 2" plain wall tubes or larger tubes with internal keys
- Housing of the idler and couplers is made out of very durable Nylon
- Metal components are Zinc plated
- Maximum roll-up diameter - 4 1/8"
- Maximum bracket weight capacity - 40lbs.

Innovative collapsible idler allows for easy, one person installation by resting ball-end of the spring loaded shaft on the idler, while rotating motor end of the shade into motor bracket.

CIERA Industries Inc.
Valencia CA

661-263-8505 Phone
661-263-8305 Fax
sales@cierainc.com E-mail
www.cierainc.com Website