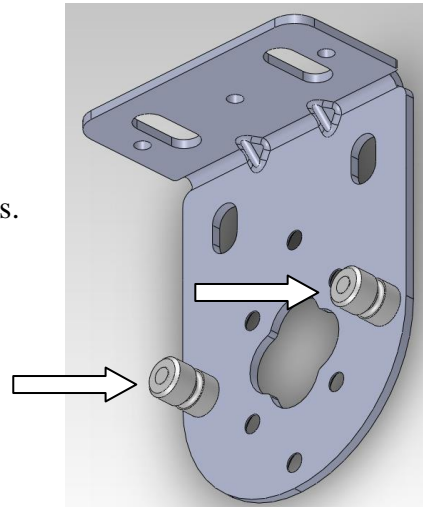
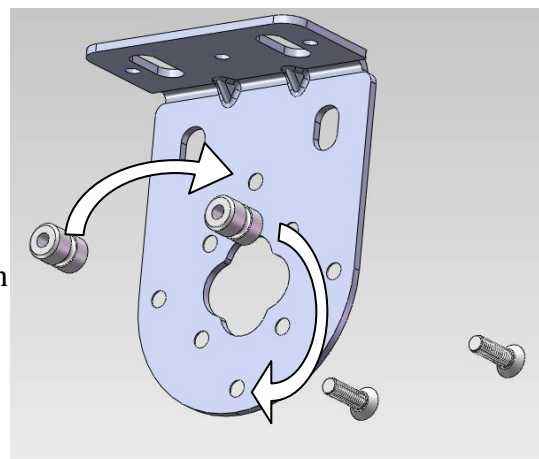


Bracket pins position change

Bracket picture on the right side is designed to attach motor during ceiling installation. Weight of the motor and the shades should rest on both pins.



If the installation turned out to be wall installation you can easily rearrange the supporting pins into configuration of the wall mount bracket. Remove the screws from two outside holes shown here in horizontal configuration and screw them together again using two outside holes in vertical configuration.



Bracket with the two pins installed as shown on the picture on the right side is used for wall mount installations. Please make sure that motor rests on both pins during installation.

