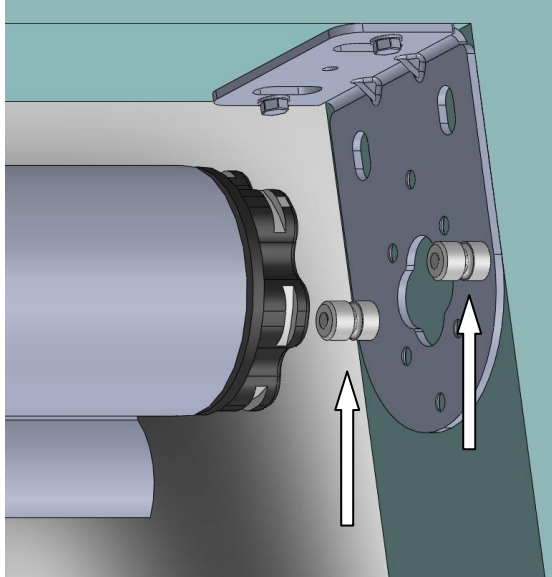
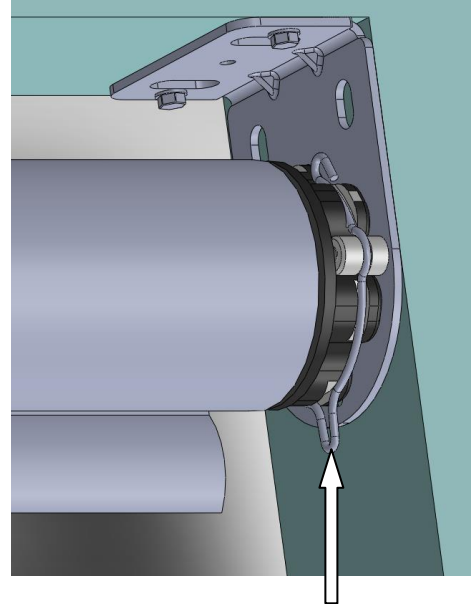


Motor installation

Ceiling mount installation

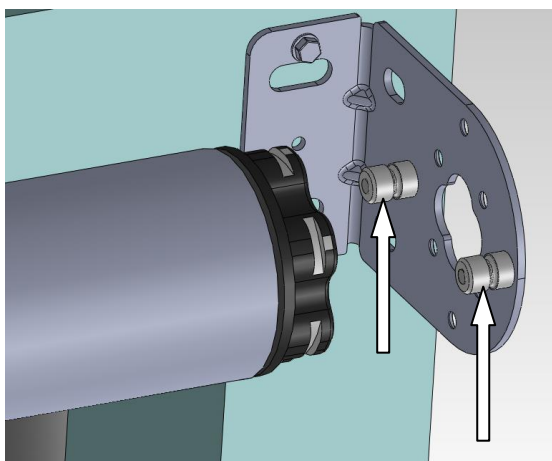


Motor slides into 2 pins on the brackets
Pins should always be in horizontal position.

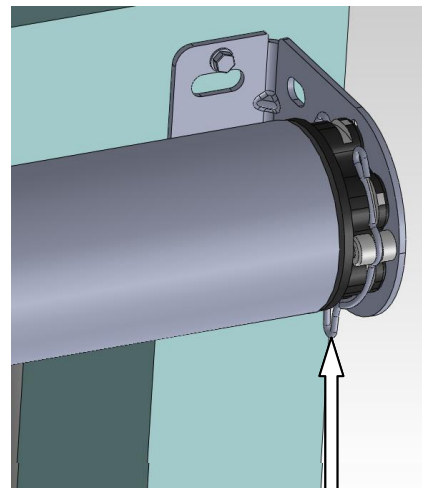


Secure motor in the
bracket with the wire clip

Wall Mount Installation



Motor slides into 2 pins on the brackets
Pins should always be in horizontal position.



Secure motor in the
bracket with the wire clip