

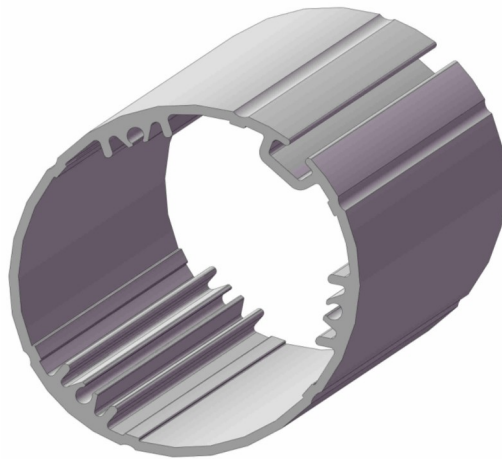


2 1/2 inch Tube Drive and Tube Adapter

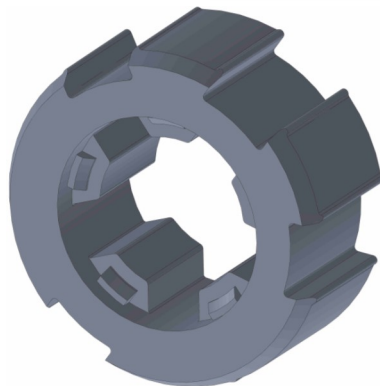
INDUSTRIES INC.

CIERA industries is introducing new Tube Drive and a Tube Adapter for 2 1/2 inch Lutron or RollEase tubes. We are fully stocked and ready to ship.

**Lutron / Rollease
2 1/2" Tube**

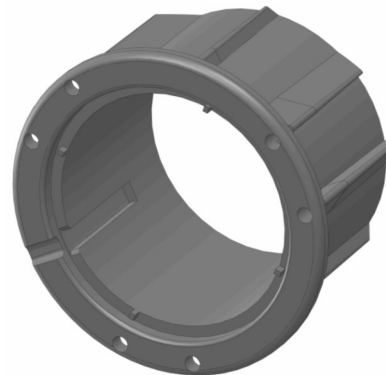


**Part #
TD 2.5 I**



The rubber Tube Drive substantially reduces noise and vibration.

**Part #
TA 2.5 I**



The Tube Adapter doesn't require any screws to attach to the tube and can also be used to connect to coupled shades.