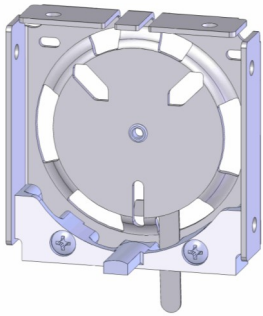


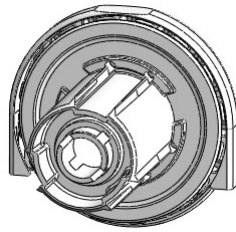


**INDUSTRIES INC.**

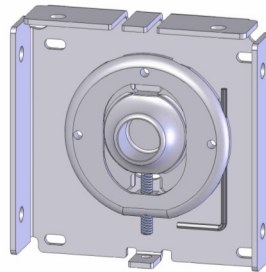
# C16 Clutch Components with Fascia Brackets



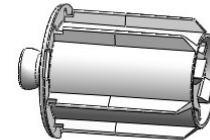
**C16 3" Fascia Clutch Bracket With Hook**



**C16 Clutch**



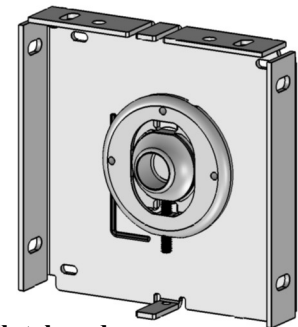
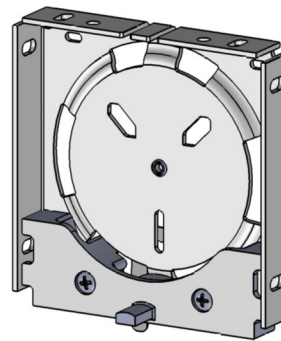
**C16 3" Adjustable Height Idler Bracket**



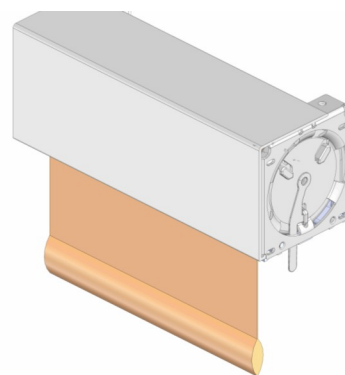
**Spring Loaded Idler**

## Features and Benefits:

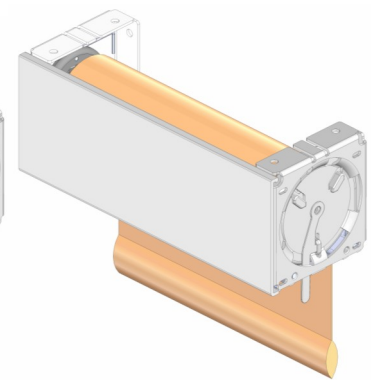
- Patented clutch mechanism allows for smooth and even shade operation
- Torsion spring configuration in the clutch eliminates "dead spots" in clutch operation
- Clutch is firmly secured to the bracket with a swiveling hook
- Unevenly install shade can be easily leveled by adjusting idler position 3/8"
- Hardware is designed to maintain 5/8" light gap on either side of the shade
- Brackets are assembled as ceiling mounts as well as left and right side wall mounts
- Maximum roll-up diameter - 2 7/8"
- Shape of the clutch allow the stop ball on the bead chain rest evenly on the bottom of the clutch with out being wedged between the plastic
- Material selection and hardware design make the shade operation quiet
- Spherical shape of the idler shaft allow easy shade installation and minimal friction during operation



**Alternate 4" Clutch and Adjustable Height Idler Bracket**



**Reverse Roll**



**Regular Roll**

**CIERA Industries Inc.**  
Valencia CA

661-263-8505 Phone  
661-263-8305 Fax  
sales@cierainc.com E-mail  
www.cierainc.com Website