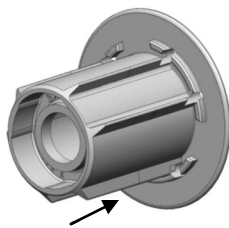




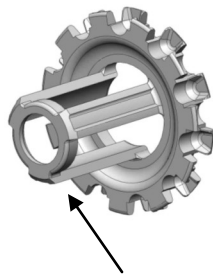
**INDUSTRIES INC.**

# CIERA Clutch & Brackets Specifications

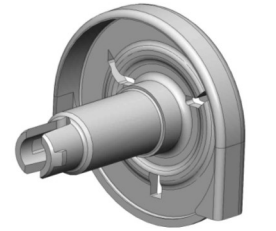
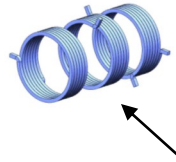
**Patented Clutch Technology Designed for Durability, Smooth Operation and Safety**



**Glass Reinforced PBT For Increased Durability**



**Innovative Pulley Design Reducing Vibration and Increasing Durability**



**Glass Reinforced PBT For Increased Durability**

**Advanced Spring Technology with Engagement Points Offset by 120° Designed for Smooth Operation**

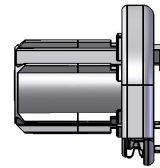
## C16 Clutch:

- 16 lb weight capacity
- Works with 1 1/4" tube
- 2 colors white and black
- Works with 3" fascia brackets
- 3 colors of 3" fascia brackets
- 5 colors of 3" fascia bracket end caps
- Works with 4" fascia brackets
- 3 colors of 4" fascia brackets
- 5 colors of 4" fascia bracket end caps
- Spherical idler-end reducing friction and vibration
- Adjustable height idler bracket allows easy adjustments
- Even light gap 5/8 on clutch and idler side
- Hook on the clutch bracket secures clutch in place
- Clutch design with out a bridge allows ball stop to rest on the bottom of clutch

## C8 Clutch:

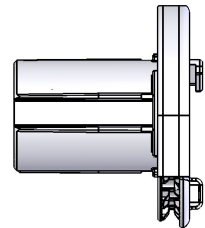
- 8 lb weight capacity
- Works with 1 1/4" tube
- 2 colors white and black
- 4 colors bracket covers
- Spherical idler-end reducing friction and vibration
- Adjustable height idler bracket allows for easy adjustments
- Even light gap 5/8" on clutch and idler side
- Hook on the clutch bracket secures clutch in place
- Clutch design with out a bridge allows ball stop to rest on the bottom of clutch

**C8 Clutch With Hooks**



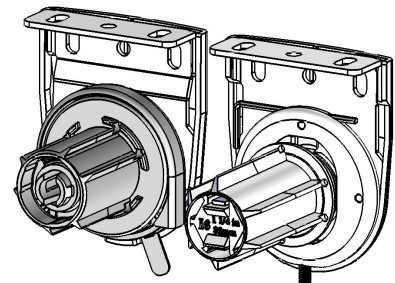
**8 Lb Weight Strength**

**C16 Clutch With Hooks**



**16 Lb Weight Strength**

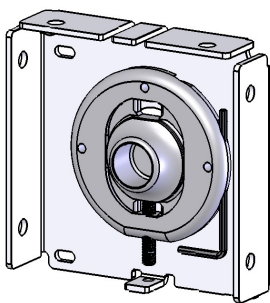
**Clutch and idler set with brackets and bracket covers**



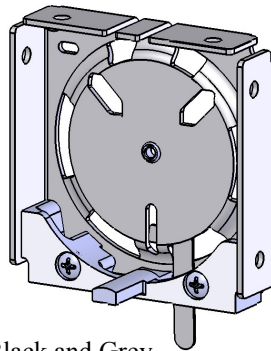
## Features and Benefits:

- Patented clutch mechanism allow for smooth and even shade operation
- Industry most innovative patented clutch and bracket hardware
- Clutch is firmly secured to the bracket with a swiveling hook to ensures maximum safety
- Torsion spring offset configuration by 120° to ensure smooth clutch operation in the clutch eliminates “dead spots” in clutch operation
- Unevenly install shade can be easily leveled by adjusting idler position by 3/8”
- Hardware is designed to maintain 5/8” light gap on either side of the shade
- Brackets are assembled as ceiling mounts as well as left and right side wall mounts
- Maximum roll-up diameter -2 7/8” in single shade and 3” fascia brackets and 3 7/8” in 4” fascia brackets
- Shape of the clutch allow the stop ball on the bead chain rest evenly on the bottom of the clutch with out being wedged between the plastic
- Spherical shape of the idler shaft allow easy shade installation and minimal friction during operation
- Spherical idler shaft reduces friction and vibration

	C16 Clutch	C8 Clutch
Weight Capacity	16lb	8lb
Tube	1 1/2"	1 1/4"
ROD Single Shade	3 7/8"	3 3/8"
Metal bead chain	Yes	Yes
Plastic bead chain	Yes	Yes
Spring assist	Yes	Yes
Link system	Yes	Yes
Single shade brackets	Yes	Yes
3" fascia brackets	Yes	No
4" fascia brackets	Yes	No

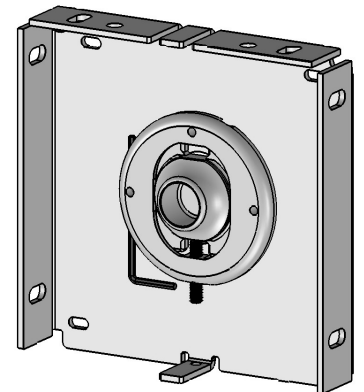
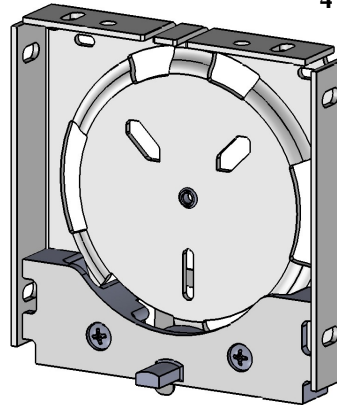


**3" Fascia Brackets**

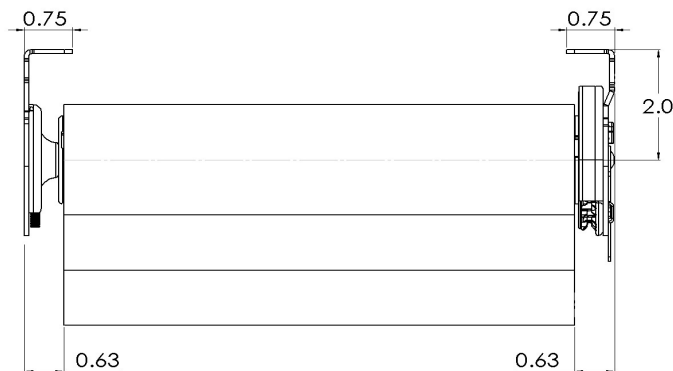


- Available in 3 colors, White, Black and Grey
- ROD 2 7/8”
- Reverse roll available
- Adjustable height idler provides 3/8” adjustability
- Material: Cold roll steel and glass reinforced Nylon
- Bracket covers available in 5 colors

**4" Fascia Brackets**



- Available in 3 colors, White, Black and Grey
- ROD 3 7/8”
- Reverse roll available
- Adjustable height idler provides 3/8” adjustability
- Material: Cold roll steel and glass reinforced Nylon
- Bracket covers available in 5 colors



**CIERA Industries Inc.**  
Santa Clarita CA

661-263-8505 Phone  
661-263-8305 Fax  
sales@cierainc.com E-mail