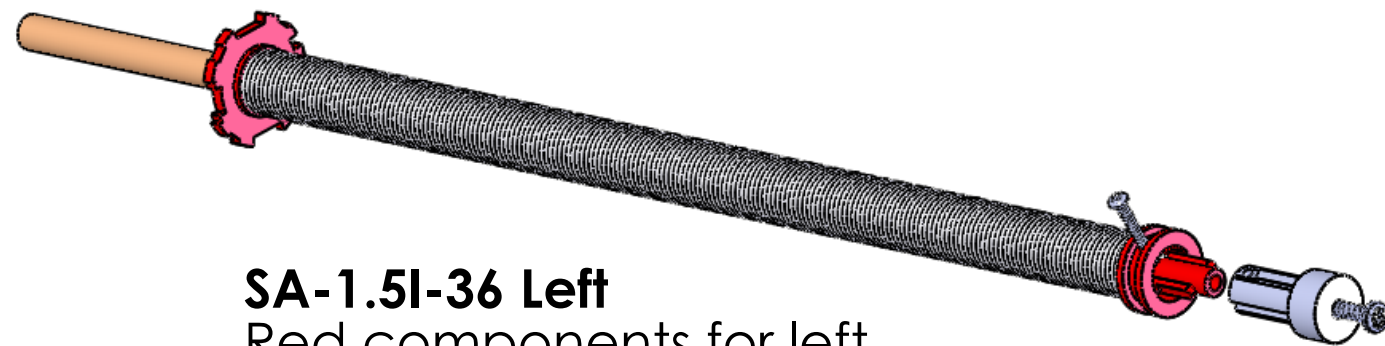


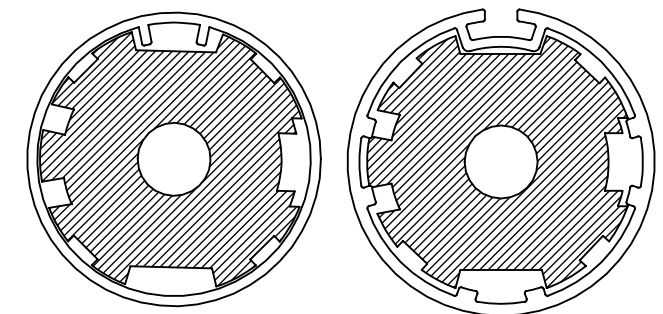
**SA-1.5I-36 Right**  
Green components for right side operation

**Assembly instructions:**

1. Insert the spring adapter into the back of the clutch and press it firmly forward.
2. Insert the spring assist into the spring adapter protruding from the front of the clutch.
3. Using screddriver, screw the spring adapter into the spring assist.
4. Screw the spring assist screw into the spring assist making sure the screw is completely hidden in the plastic.



**SA-1.5I-36 Left**  
Red components for left side operation



Spring Assist works with 1 1/2" tubes with internal ribs