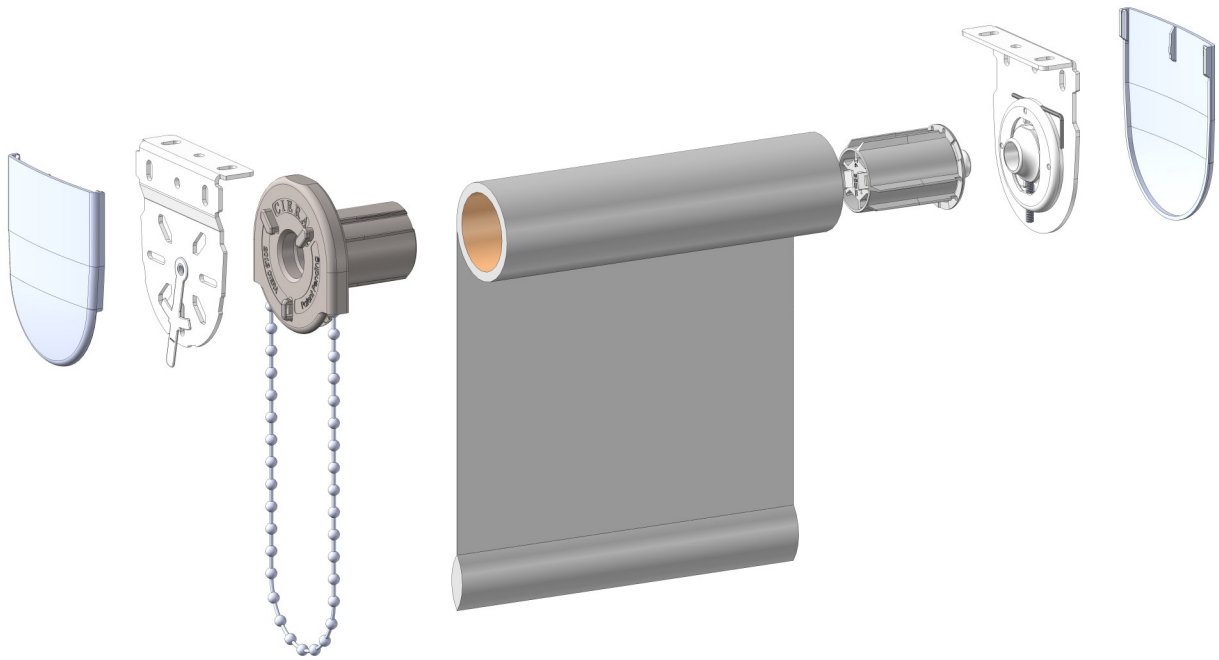




Manual Shade Hardware Catalog

CIERA Industries Inc.



CIERA Industries Inc.

26951 Ruether Ave Unit E
Santa Clarita CA 91351

Phone: 661-263-8505

Fax: 661-263-8305

E-mail: sales@cierainc.com

Website: www.cierainc.com

TABLE OF CONTENTS

CHAPTER

CIERA Non Fascia Manual Shade for C16 Clutch
With Adjustable Height Idler Bracket

A1

CIERA Non Fascia Manual Shade for C8 Clutch
With Adjustable Height Idler Bracket

B1

CIERA 3" Manual Shade for C16 Clutch
With Adjustable Height Idler Bracket

C1

CIERA 4" Manual Shade for C16 Clutch
With Adjustable Height Idler Bracket

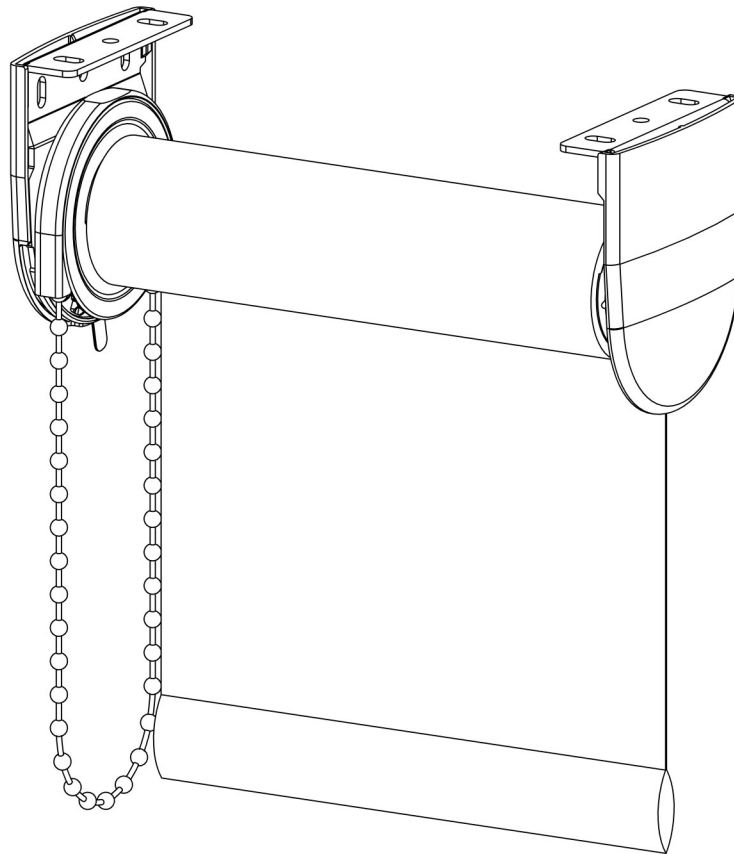
D1

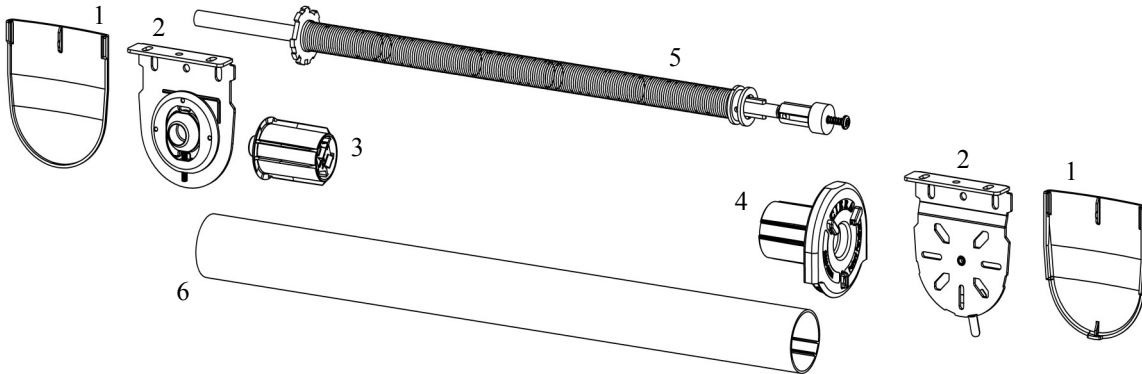
CIERA 6" Double Manual Shade for Two C16 Clutches
With Adjustable Height Idler Bracket

E1

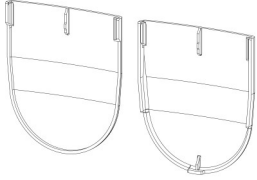
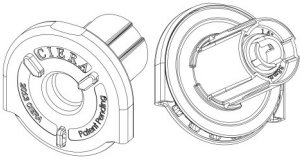
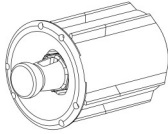
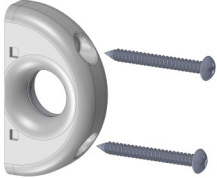
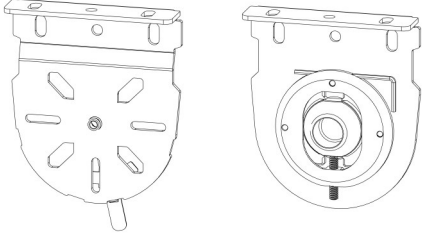

CIERA 6" Single Manual Shade for C16 Clutch
With Adjustable Height Idler Bracket

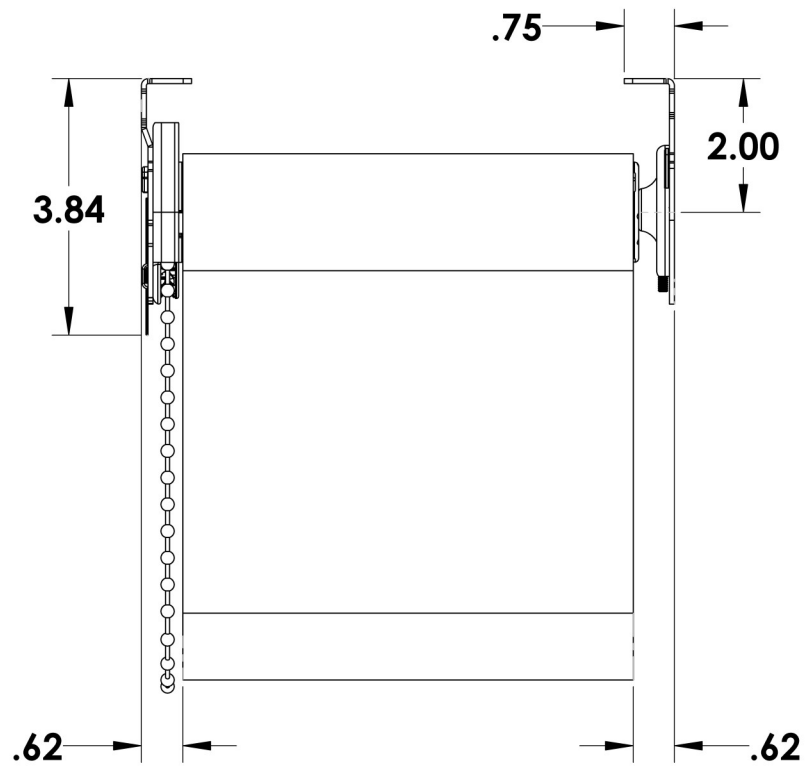
F1

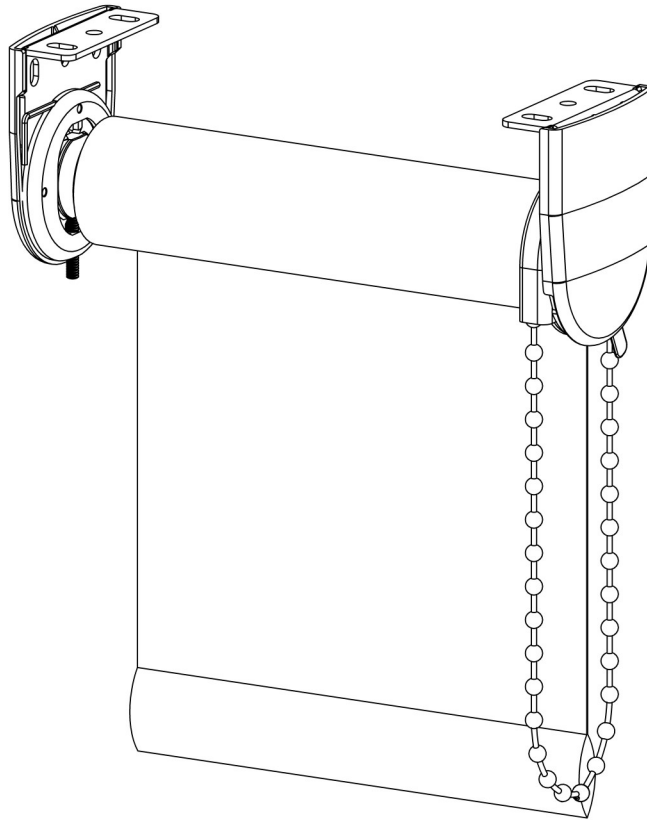


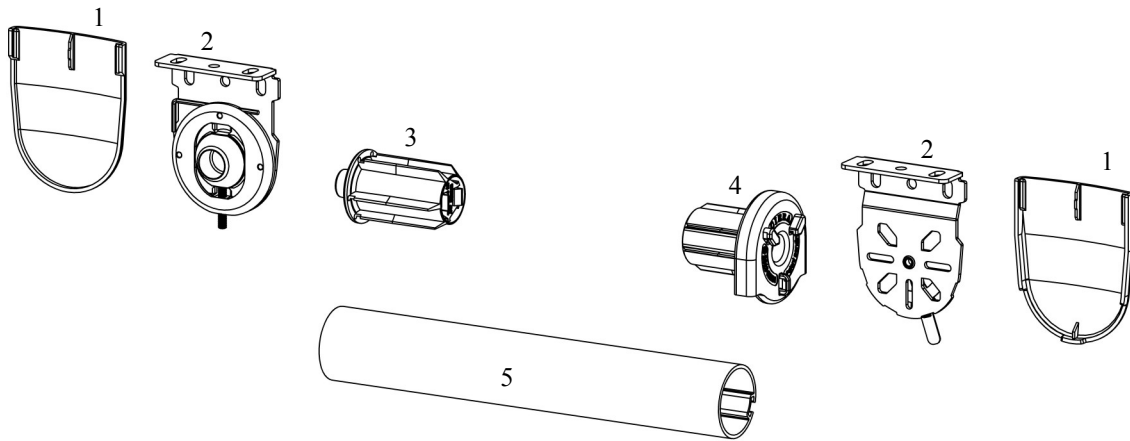


#	Part #	Description	Other
1	C16-CIBC	C16 Clutch and Idler Bracket Covers	
2	C16 CIB	C16 Clutch and Idler Brackets	
3	C16 I	C16 Idler	
4	C16 C	C16 Clutch	
5	SA-1.5I-36	Spring Assist for 1 1/2' Tube, 36" Long	
6		1 1/2" Tube	

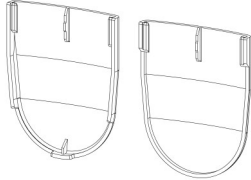
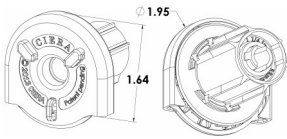
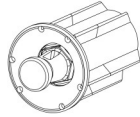
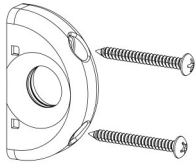
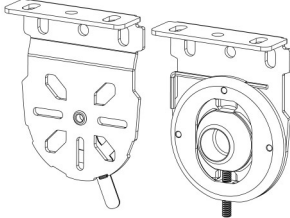
 <p>C16 CIBC - White C16 CIBC - Black C16 CIBC - Grey C16 CIBC - Vanilla</p> <p>C16 Clutch and Idler Bracket Covers</p>	 <p>C16 C - White C16 C - Black</p> <p>C16 Clutch</p>	 <p>C16 I - White C16 I - Black</p> <p>C16 Idler</p>	 <p>STD-W - White STD-B - Black STD-G - Grey</p> <p>Safety Tension Device</p>
 <p>C16 CIB - White C16 CIB - Black</p> <p>C16 Clutch and Idler Bracket</p>	 <p>SA-1.5I-36 - Left SA-1.5I-36 - Right</p> <p>Spring Assist for 1 1/2' Tube, 36" Long</p>		

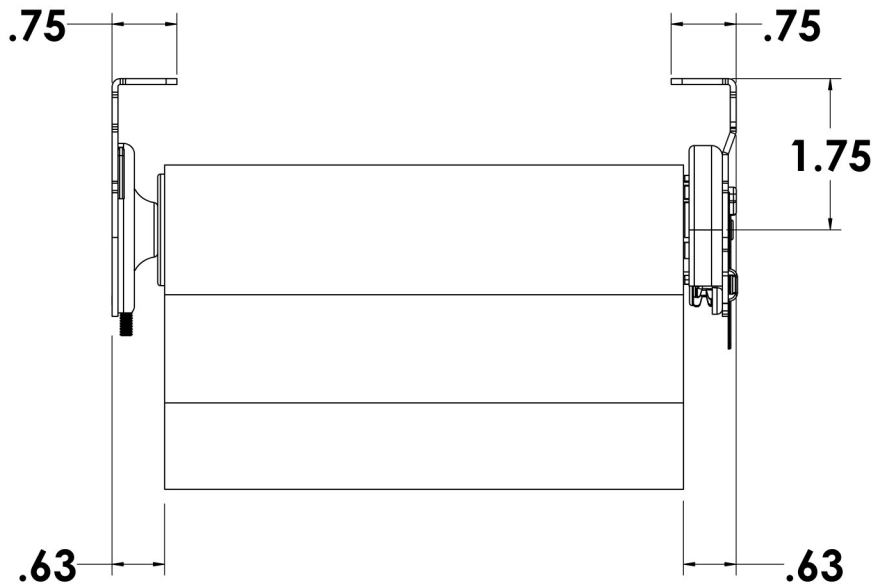


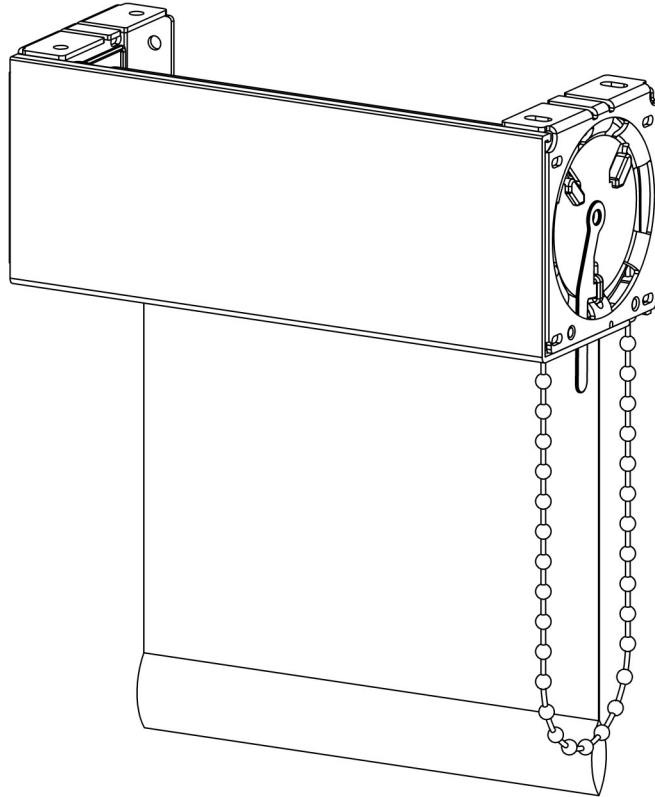




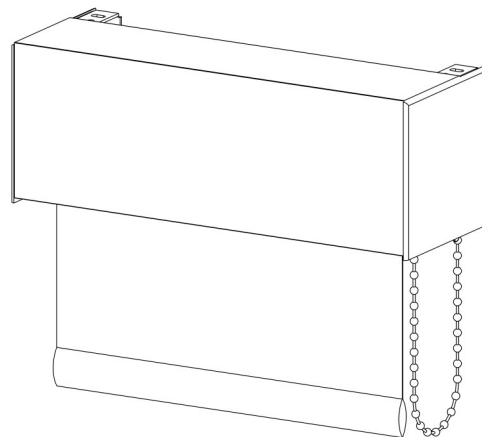
#	Part #	Description	Other
1	C8-CIBC	C8 Clutch and Idler Bracket Covers	
2	C8 CIB	C8 Clutch and Idler Brackets	
3	C8 I	C8 Idler	
4	C8 C	C8 Clutch	
5	-	Tube 1 1/4"	

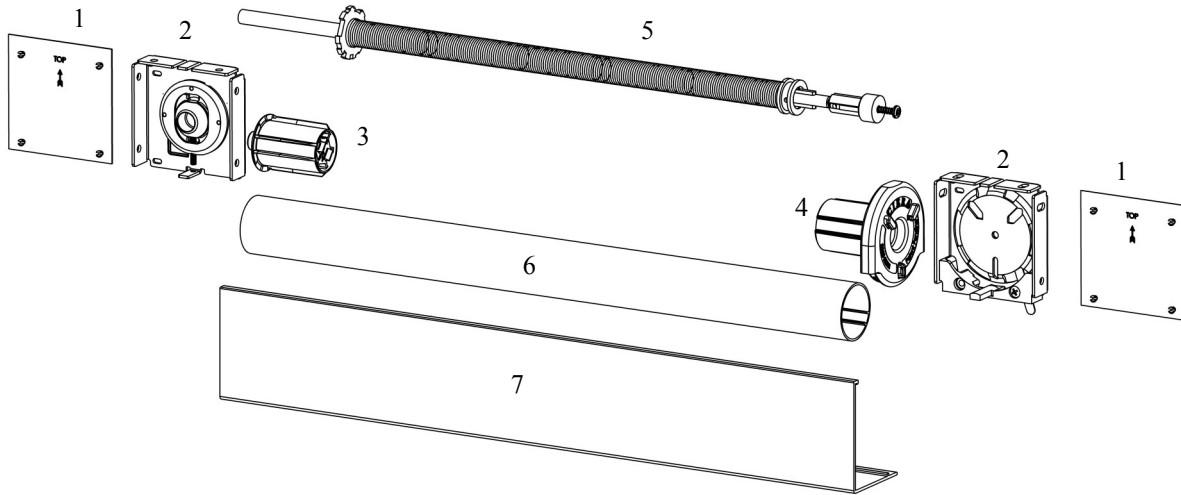
 <p>C8 CIBC - White C8 CIBC - Black C8 CIBC - Grey C8 CIBC - Vanilla</p> <p>C16 Clutch and Idler Bracket Covers</p>	 <p>C8 C - White C8 C - Black</p> <p>C8 Clutch</p>	 <p>C8 I - White C8 I - Black</p> <p>C8 Idler</p>	 <p>STD-W - White STD-B - Black STD-G - Grey</p> <p>Safety Tension Device</p>
 <p>C8 CIB - White C8 CIB - Black</p> <p>C8 Clutch and Idler Bracket</p>			





All 3" Fascia Brackets can be used for reversed roll shades





#	Part #	Description	Other
1	3IFBEC	3" Fascia Bracket End Cap	
2	C16 3IFCIB	3" Fascia Clutch and Idler Brackets	
3	C16 I	C16 Idler	
4	C16 C	C16 Clutch	
5	SA-1.5I-36	Spring Assist for 1 1/2" Tube, 36" Long	
6		1.5" Tube	
7		3" Fascia	

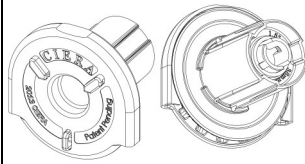
CIERA 3" Manual Shade for C16 Clutch

With Adjustable Height Idler Bracket



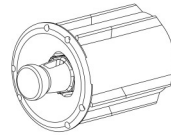
3IFBEC - White
3IFBEC - Black
3IFBEC - Grey
3IFBEC - Vanilla
3IFBEC - Bronze

3" Fascia Bracket End Caps



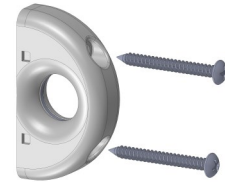
C16 C - White
C16 C - Black

C16 Clutch



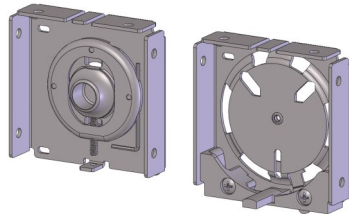
C16 I - White
C16 I - Black

C16 Idler



STD-W - White
STD-B - Black
STD-G - Grey

Safety Tension Device



C16 3IFCIB - White
C16 3IFCIB - Black
C16 3IFCIB - Grey

C16 4" Fascia Clutch and Idler Bracket



SA-1.5I-36 - Left
SA-1.5I-36 - Right

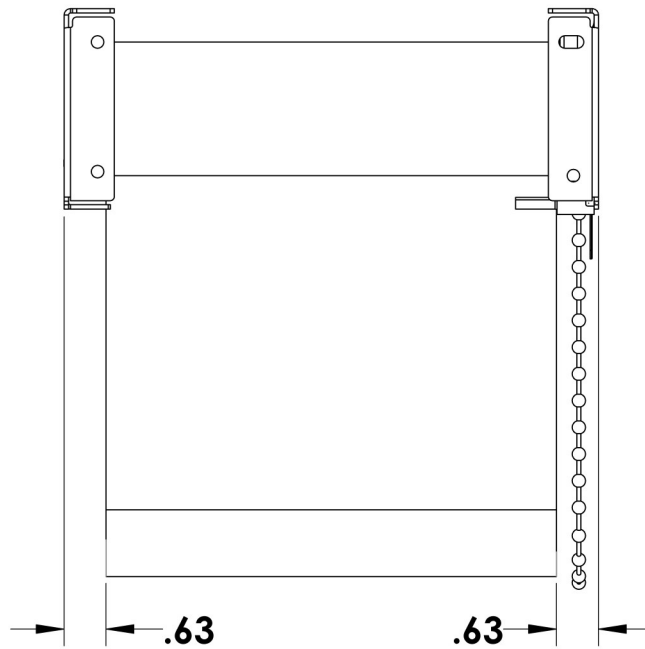
Spring Assist for 1 1/2' Tube, 36" Long

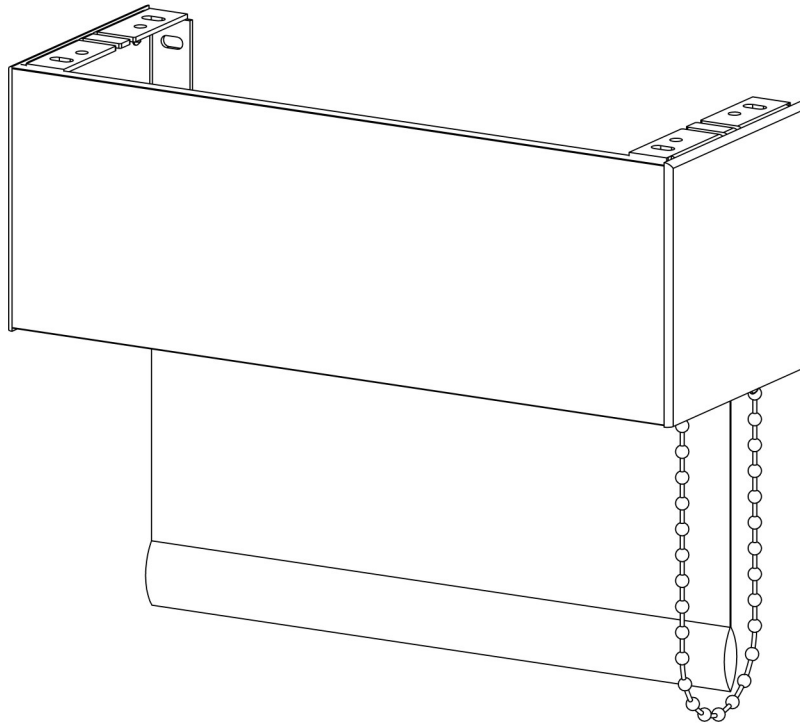


INDUSTRIES INC.

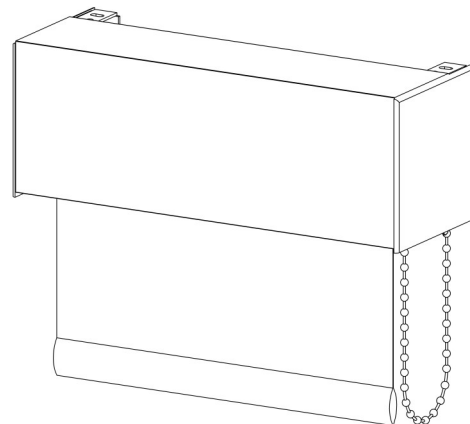
CIERA 3" Manual Shade for C16 Clutch

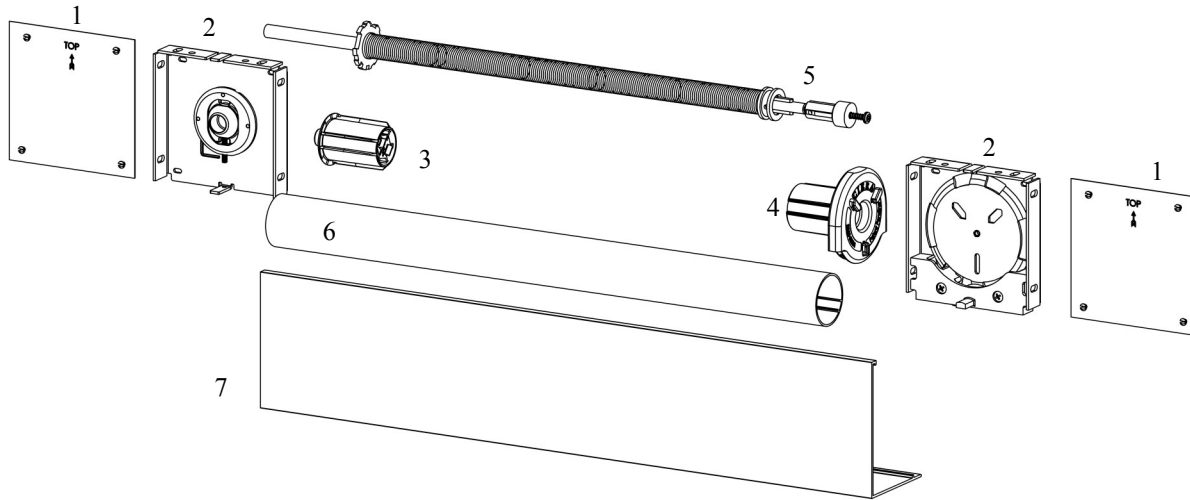
With Adjustable Height Idler Bracket





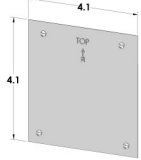
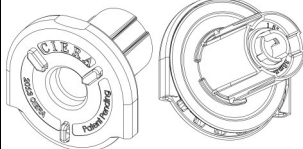
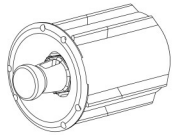
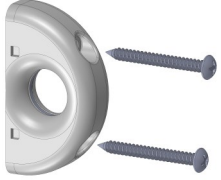
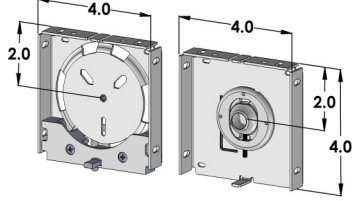

All 4" Fascia Brackets can be used for reversed roll shades





#	Part #	Description	Other
1	4IFBEC	4" Fascia Bracket End Cap	
2	C16 4IFCIB	4" Fascia Clutch and Idler Bracket	
3	C16 I	Idler	
4	C16 C	Clutch	
5	SA-1.5I-36	Spring Assist for 1 1/2" Tube, 36" Long	
6		1 1/2" Tube	
7		4" Fascia	

CIERA 4" Fascia Manual Shade for C16 Clutch
With Adjustable Height Idler Bracket

 <p>4IFBEC - White 4IFBEC - Black 4IFBEC - Grey 4IFBEC - Vanilla 4IFBEC - Bronze</p> <p>4 1/2" Fascia Bracket End Cap</p>	 <p>C16 C - White C16 C - Black</p> <p>C16 Clutch</p>	 <p>C16 I - White C16 I - Black</p> <p>C16 Idler</p>	 <p>STD-W - White STD-B - Black STD-G - Grey</p> <p>Safety Tension Device</p>
 <p>C16 4IFCIB - White C16 4IFCIB - Black C16 4IFCIB - Grey</p> <p>C16 4" Fascia Clutch and Idler Bracket</p>	 <p>SA-1.5I-36 - Left SA-1.5I-36 - Right</p> <p>Spring Assist for 1 1/2" Tube, 36" Long</p>		



INDUSTRIES INC.

CIERA 4" Fascia Manual Shade for C16 Clutch

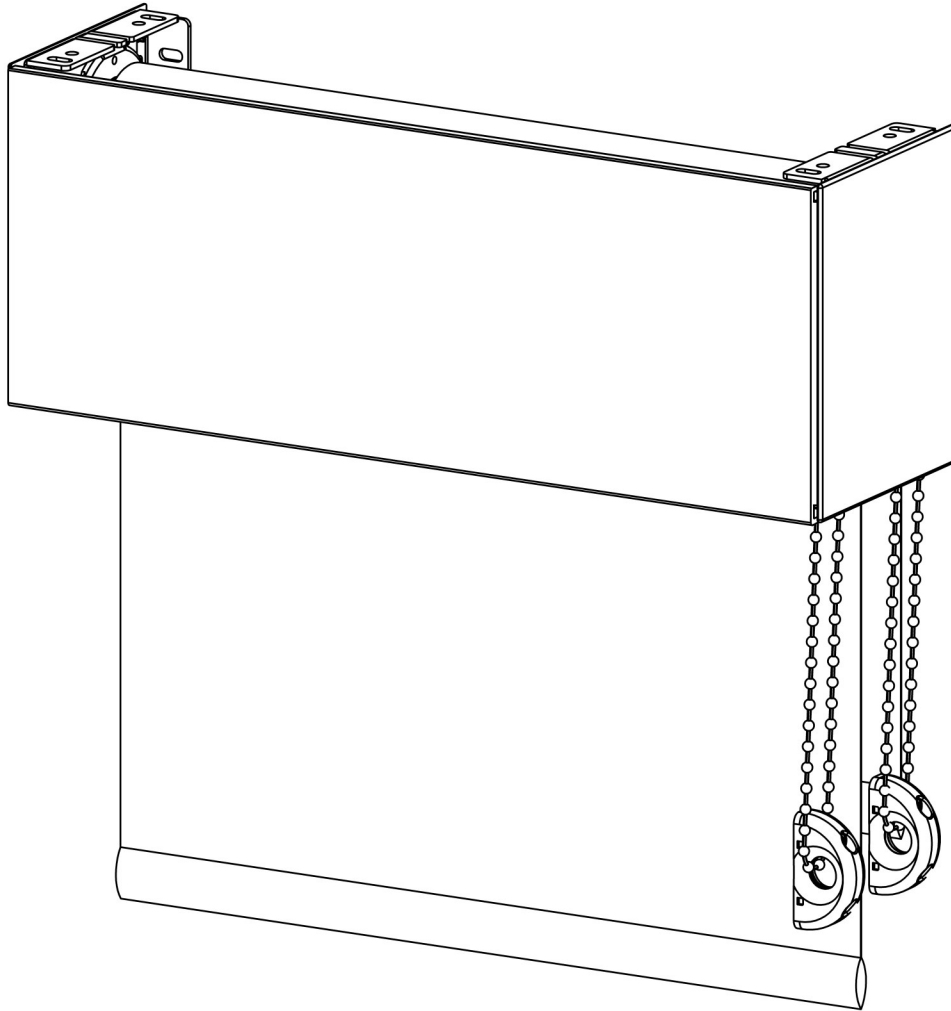
With Adjustable Height Idler Bracket



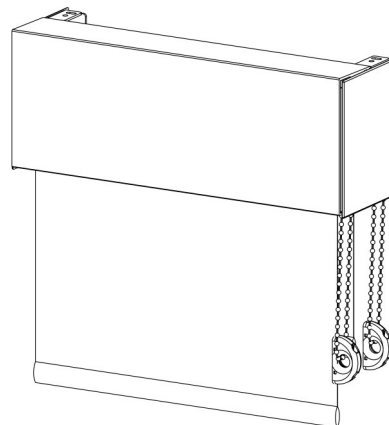


CIERA 6" Double Shade Fascia Manual Shade System for Two C16 Clutches

With Adjustable Height Idler Bracket

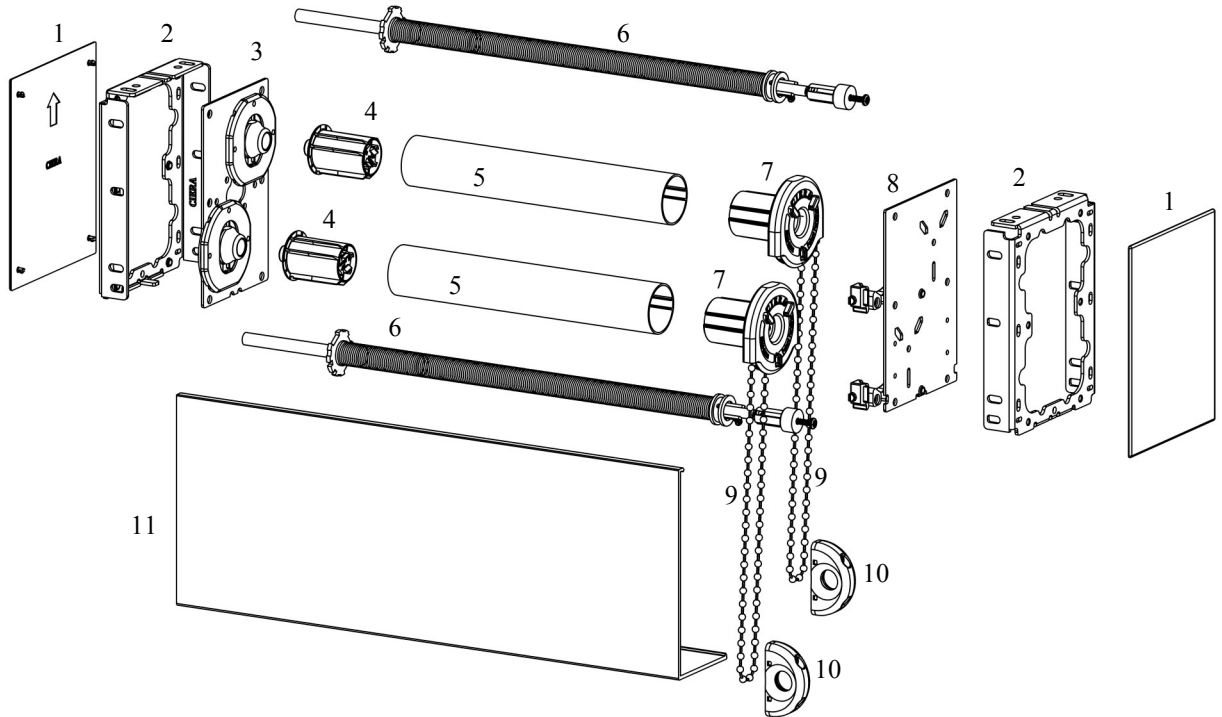


All 6" Fascia Brackets can be used for reversed roll shades



CIERA 6" Double Shade Fascia Manual Shade System for Two C16 Clutches


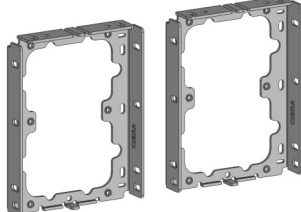
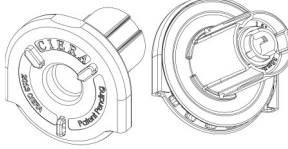
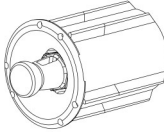
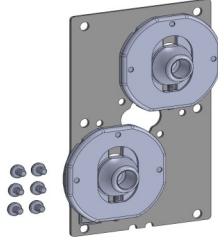
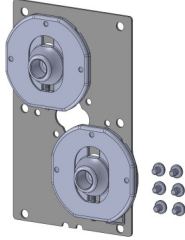
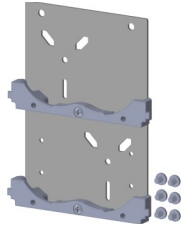
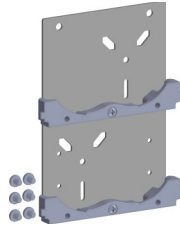

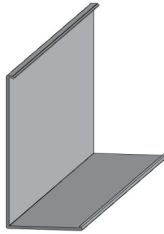
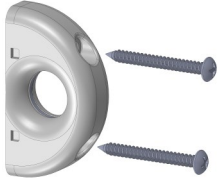
With Adjustable Height Idler Bracket



#	Part #	Description
1	DSF EC6	Double Shade Fascia End Cap 6"
2	DSF B6	Double Shade Fascia Bracket 6"
3	DSF MTAIPBL6	Double Shade Fascia Manual Two Adjustable Idlers Plate Bottom Left 6"
4	C16 I	C16 Idler
5	-	Tube 1 1/2"
6	SA-1.5I-36	Spring Assist for 1 1/2' Tube, 36" Long
7	C16 C	C16 Clutch
8	DSF DCBPBR6"	Double Shade Fascia Double Clutch Bracket Plate Bottom Right 6"
9	-	Bead chain
10	STD	Safety Tension Device
11	DSF6"	Double Shade Fascia 6"

CIERA 6" Double Shade Fascia Manual Shade System for Two C16 Clutches

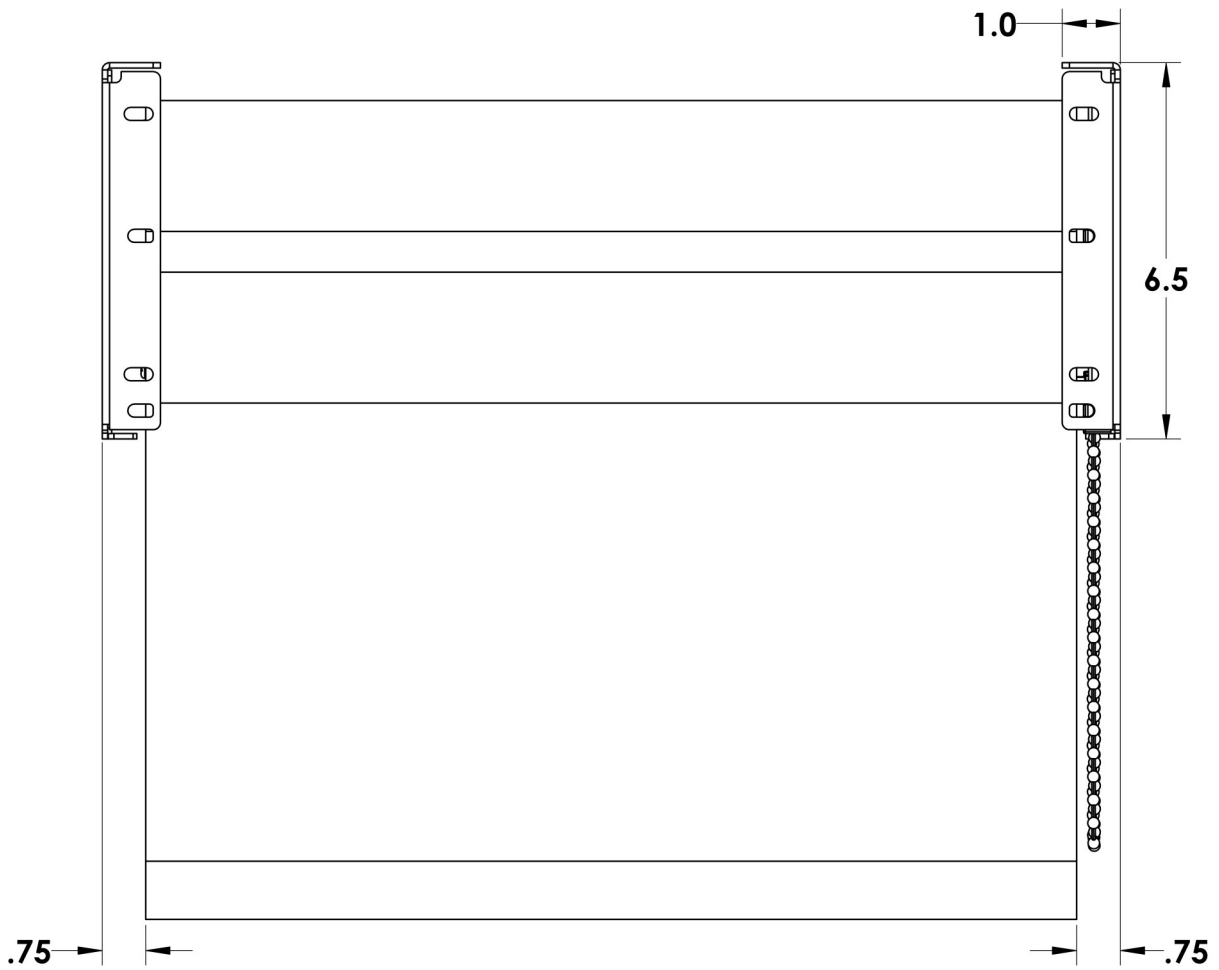
With Adjustable Height Idler Bracket

 <p>DSF EC6 - White DSF EC6 - Black DSF EC6 - Grey DSF EC6 - Bronze</p> <p>Double Shade Fascia End Cap 6"</p>	 <p>DSF B6 - White DSF B6 - Black DSF B6 - Grey DSF B6 - Bronze</p> <p>Double Shade Fascia Bracket 6"</p>	 <p>C16 C - White C16 C - Black</p> <p>C16 Clutch</p>	 <p>C16 I - White C16 I - Black</p> <p>C16 Idler</p>
 <p>DSF MTAIPBL6 - White DSF MTAIPBL6 - Zinc</p> <p>Double Shade Fascia Manual Two Adjustable Idler Plate Bottom Left 6"</p>	 <p>DSF MTAIPBR6 - White DSF MTAIPBR6 - Zinc</p> <p>Double Shade Fascia Manual Two Adjustable Idler Plate Bottom Right 6"</p>	 <p>DSF DCBPBR6" - White DSF DCBPBR6" - Zinc</p> <p>Double Shade Fascia Double Clutch Bracket Bottom Right 6"</p>	 <p>DSF DCBPBL6" - White DSF DCBPBL6" - Zinc</p> <p>Double Shade Fascia Double Clutch Bracket Plate Bottom Left 6"</p>
 <p>SA-1.5I-36 - Left SA-1.5I-36 - Right</p> <p>Spring Assist for 1 1/2" Tube, 36" Long</p>	 <p>DSF6 - White DSF6 - Black DSF6 - Grey DSF6 - Bronze</p> <p>Double Shade Fascia 6"</p>	 <p>STD-W - White STD-B - Black STD-G - Grey</p> <p>Safety Tension Device</p>	



CIERA 6" Double Shade Fascia Manual Shade System for Two C16 Clutches

With Adjustable Height Idler Bracket

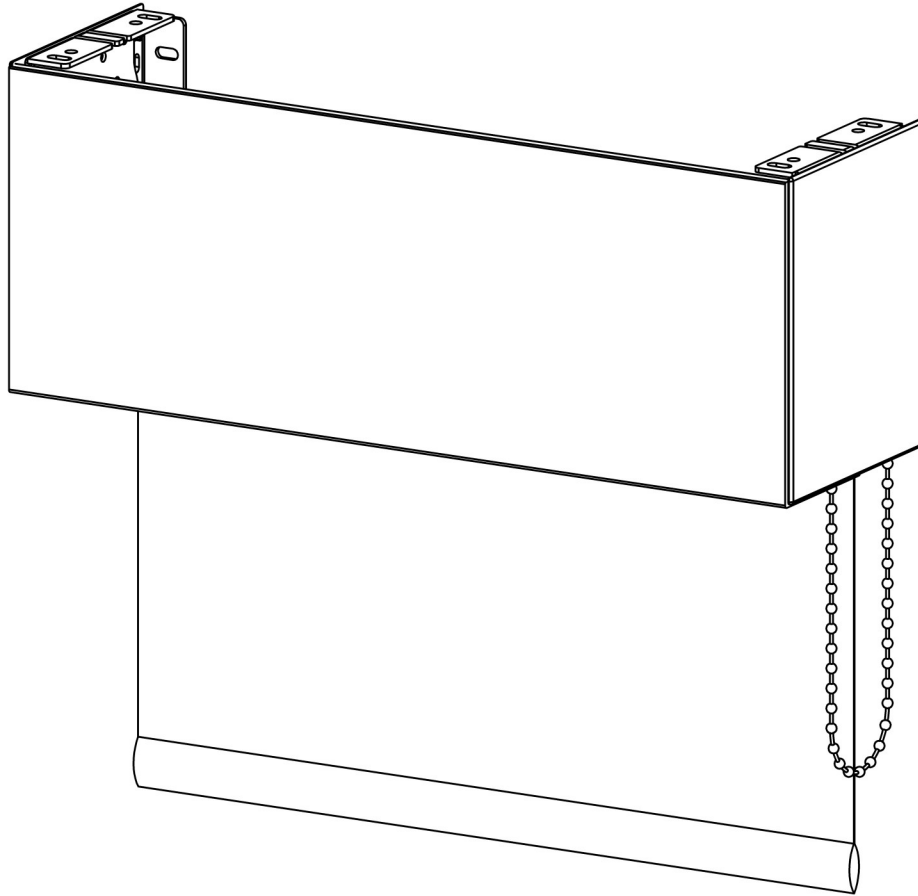


RUD 3 1/4"
For both shades

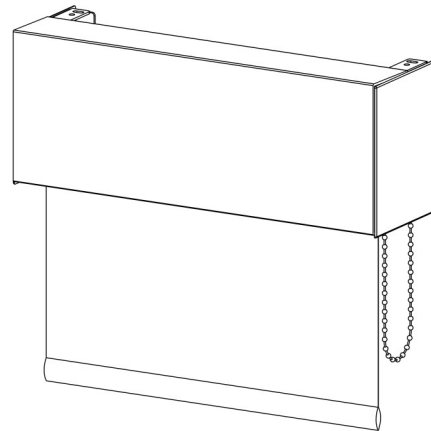


CIERA 6" Double Shade Fascia Single Manual Shade System for One C16 Clutch

With Adjustable Height Idler Bracket

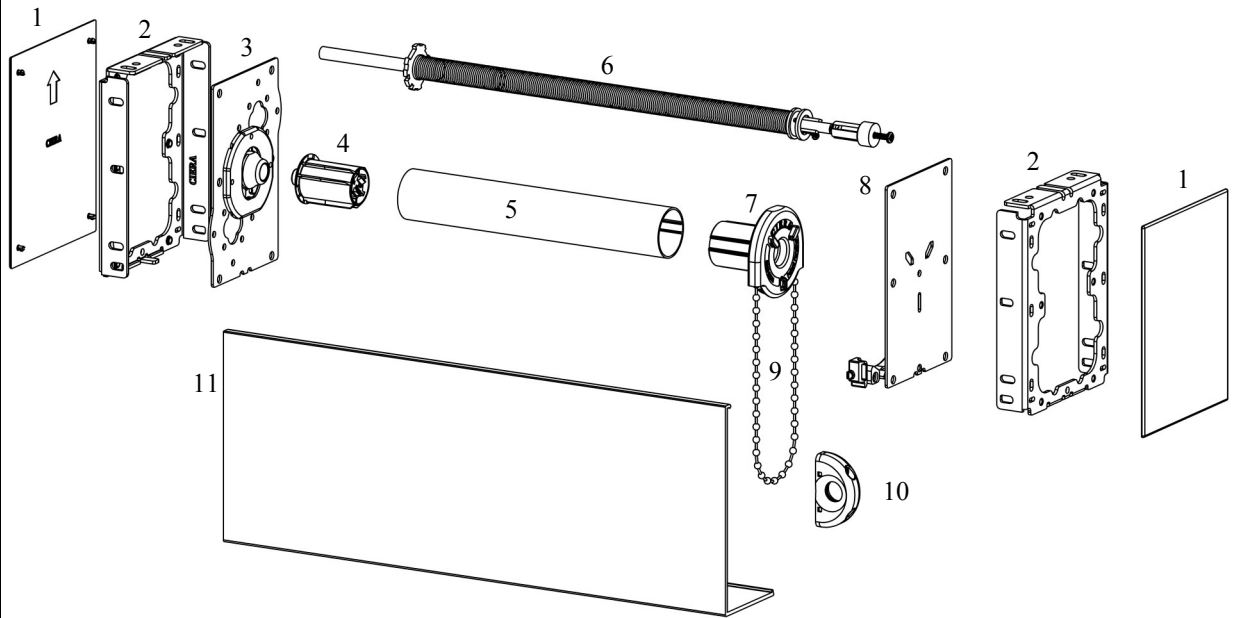


All 6" Fascia Brackets can be used for reversed roll shades



CIERA 6" Double Shade Fascia Single Manual Shade System for One C16 Clutch


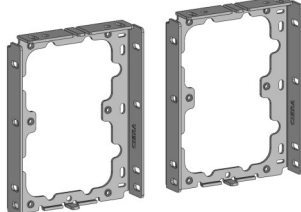
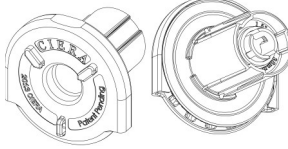
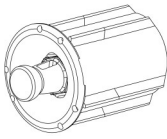
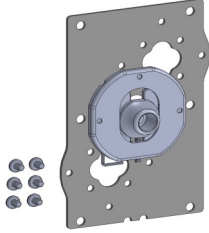
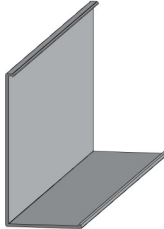
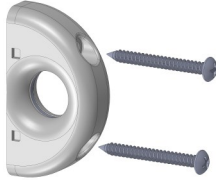
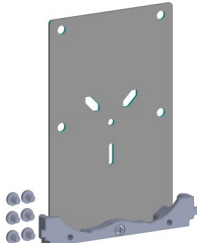

With Adjustable Height Idler Bracket



#	Part #	Description	Other
1	DSF EC6	Double Shade Fascia End Cap 6"	
2	DSF B6	Double Shade Fascia Bracket 6"	
3	DSF MSAIP6	Double Shade Fascia Manual Single Adjustable Idler Plate 6"	
4	C16 I	C16 Idler	
5	-	Tube 1 1/2"	
6	SA-1.5I-36	Spring Assist for 1 1/2' Tube, 36" Long	
7	C16 C	C16 Clutch	
8	DSB SCBP6"	Double Shade Fascia Single Clutch Bracket Plate 6"	
9	-	Bead chain	
10	STD	Safety Tension Device	
11	DSF6"	Double Shade Fascia 6"	

CIERA 6" Double Shade Fascia Single Manual Shade System for One C16 Clutch

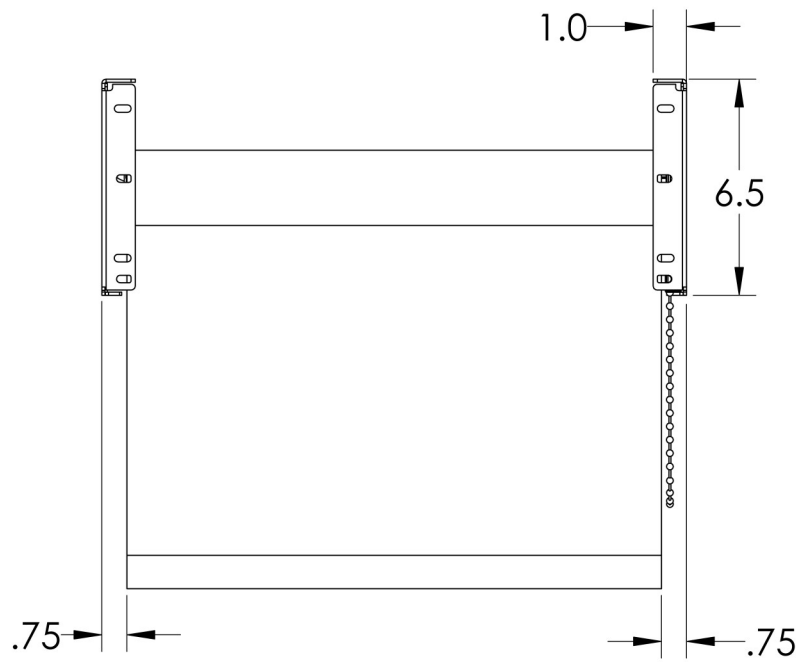
With Adjustable Height Idler Bracket

 <p>DSF EC6 - White DSF EC6 - Black DSF EC6 - Grey DSF EC6 - Bronze</p> <p>Double Shade Fascia End Cap 6"</p>	 <p>DSF B6 - White DSF B6 - Black DSF B6 - Grey DSF B6 - Bronze</p> <p>Double Shade Fascia Bracket 6"</p>	 <p>C16 C - White C16 C - Black</p> <p>C16 Clutch</p>	 <p>C16 I - White C16 I - Black</p> <p>C16 Idler</p>
 <p>DSF MSAIP6" - White DSF MSAIP6" - Zinc</p> <p>Double Shade Fascia Single Adjustable Idler Plate 6"</p>	 <p>DSF6 - White DSF6 - Black DSF6 - Grey DSF6 - Bronze</p> <p>Double Shade Fascia 6"</p>	 <p>STD-W - White STD-B - Black STD-G - Grey</p> <p>Safety Tension Device</p>	 <p>DSF SCP6" - White DSF SCP6" - Zinc</p> <p>Double Shade Fascia Single Clutch Plate 6"</p>
 <p>SA-1.5I-36 - Left SA-1.5I-36 - Right</p> <p>Spring Assist for 1 1/2' Tube, 36" Long</p>			



CIERA 6" Double Shade Fascia Single Manual Shade System for One C16 Clutch

With Adjustable Height Idler Bracket



RUD 4 3/4"