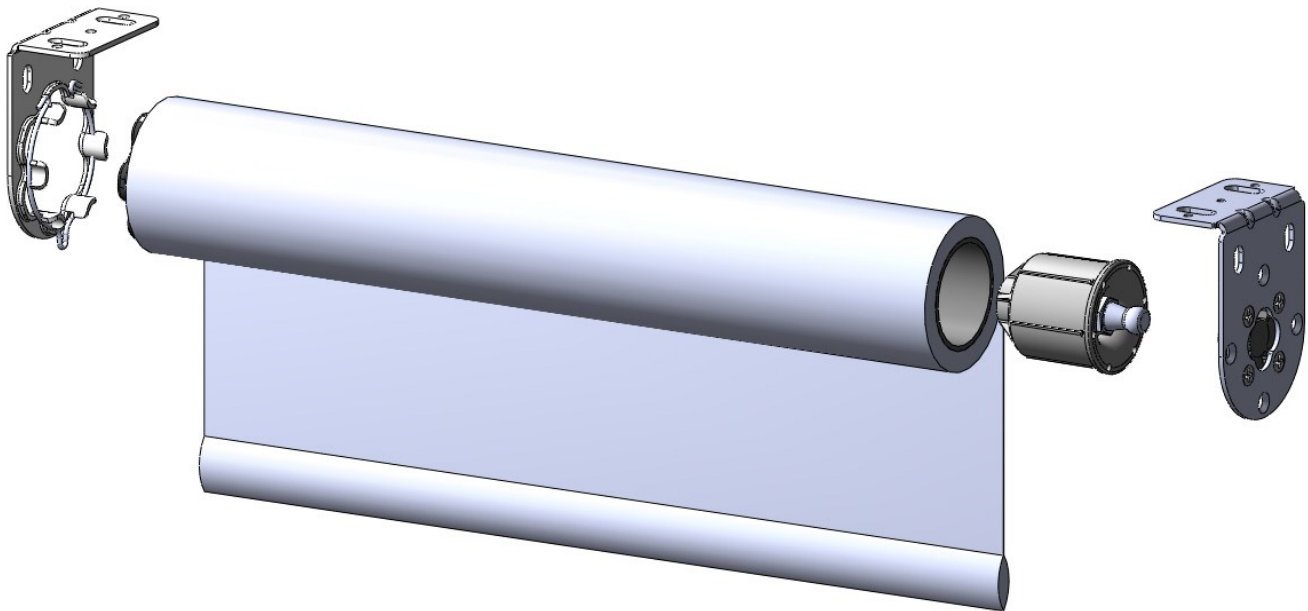




Motorization Hardware Catalog

CIERA Industries Inc.



CIERA Industries Inc.

26951 Ruether Ave Unit E
Santa Clarita CA 91351

Phone: 661-263-8505

Fax: 661-263-8305

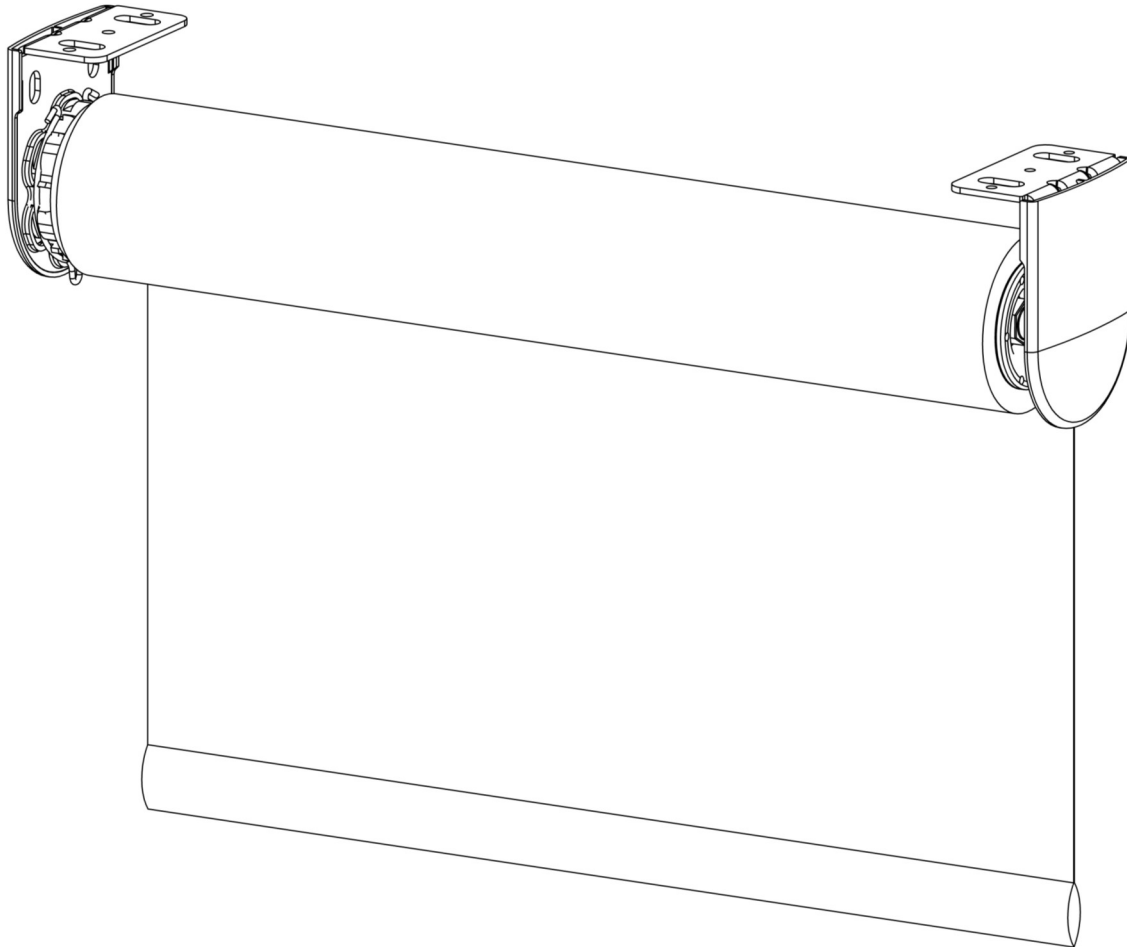
E-mail: sales@cierainc.com

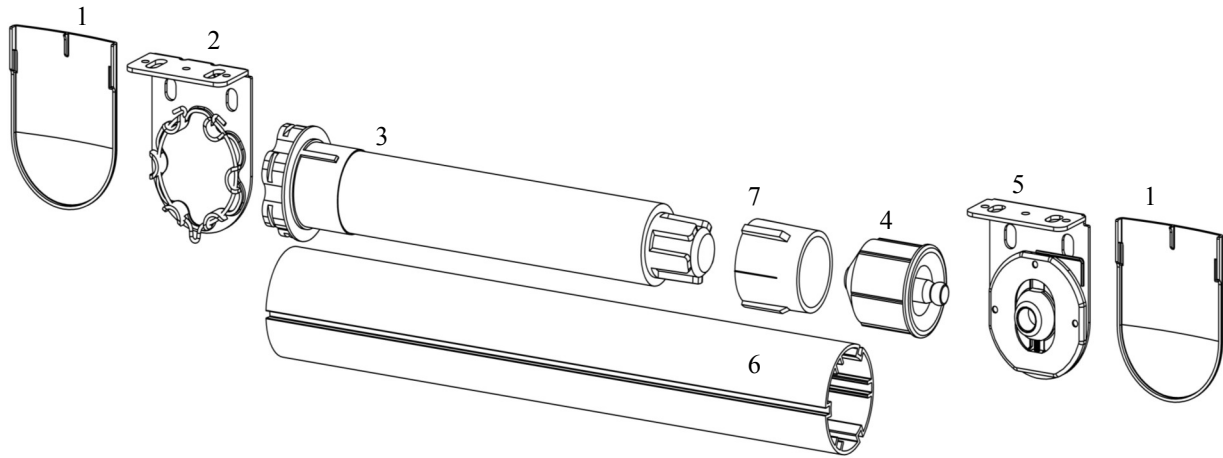
Website: www.cierainc.com

TABLE OF CONTENTS


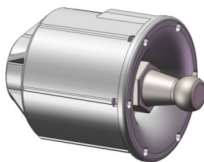
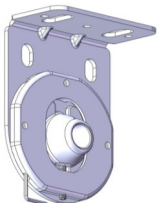
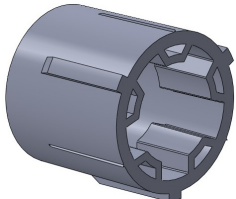
CIERA Single Motorized Shade System for Somfy LT 50 Motors With Adjustable Height Idler Bracket	A1-A4
CIERA Motorized Shade System for Somfy LT50 Motors Coupled Shade With Adjustable Height Idler and Coupler Bracket	A5-A8
CIERA Single Motorized Shade System for Somfy LT50 Motors With Non Adjustable Height Idler Bracket	A9-A12
CIERA Motorized Shade System for Somfy LT50 Motors Coupled Shade With Non Adjustable Height Idler and Coupler Bracket	A13-A16
CIERA 4” Fascia Motorized Shade System for Somfy LT50 Motors With Adjustable Height Idler Bracket	B1-B4
CIERA 4” Fascia Motorized Shade System for Somfy LT50 Motors Coupled Shade With Adjustable Height Idler and Coupler Bracket	B5-B8
CIERA 4” Fascia Motorized Shade System for Somfy LT50 Motors With Non Adjustable Height Idler Bracket	B9-B12
CIERA 4” Fascia Motorized Shade System for Somfy LT50 Motors Coupled Shade With Non Adjustable Height Idler and Coupler Bracket	B13-B16
CIERA Double Non Fascia Motorized Shade System for Somfy LT50 Motors With Adjustable Height Idler and Bracket	C1-C4
CIERA Double Non Fascia Motorized Shade System for Somfy LT50 Motors Coupled Shade With Adjustable Height Idler and Coupler Bracket	C5-C8
CIERA Double Non Fascia Motorized Shade System for Somfy LT50 Motors With Non Adjustable Height Idler and Bracket	C9-C12
CIERA Double Non Fascia Motorized Shade System for Somfy LT50 Motors Coupled Shade With Non Adjustable Height Idler and Coupler Bracket	C13-C16
CIERA 6” DSF Motorized Shade System for Somfy LT50 Motors With Adjustable Height Idler Bracket	D1-D4
CIERA 6” DSF Motorized Shade System for Somfy LT50 Motors Coupled Shade With Adjustable Height Idler and Coupler Bracket	D5-D8
CIERA 6” DSF Motorized Shade System for Somfy LT50 Motors With Non Adjustable Height Idler Bracket	D9-D12
CIERA 6” DSF Motorized Shade System for Somfy LT50 Motors Coupled Shade With Non Adjustable Height Idler and Coupler Bracket	D13-D16

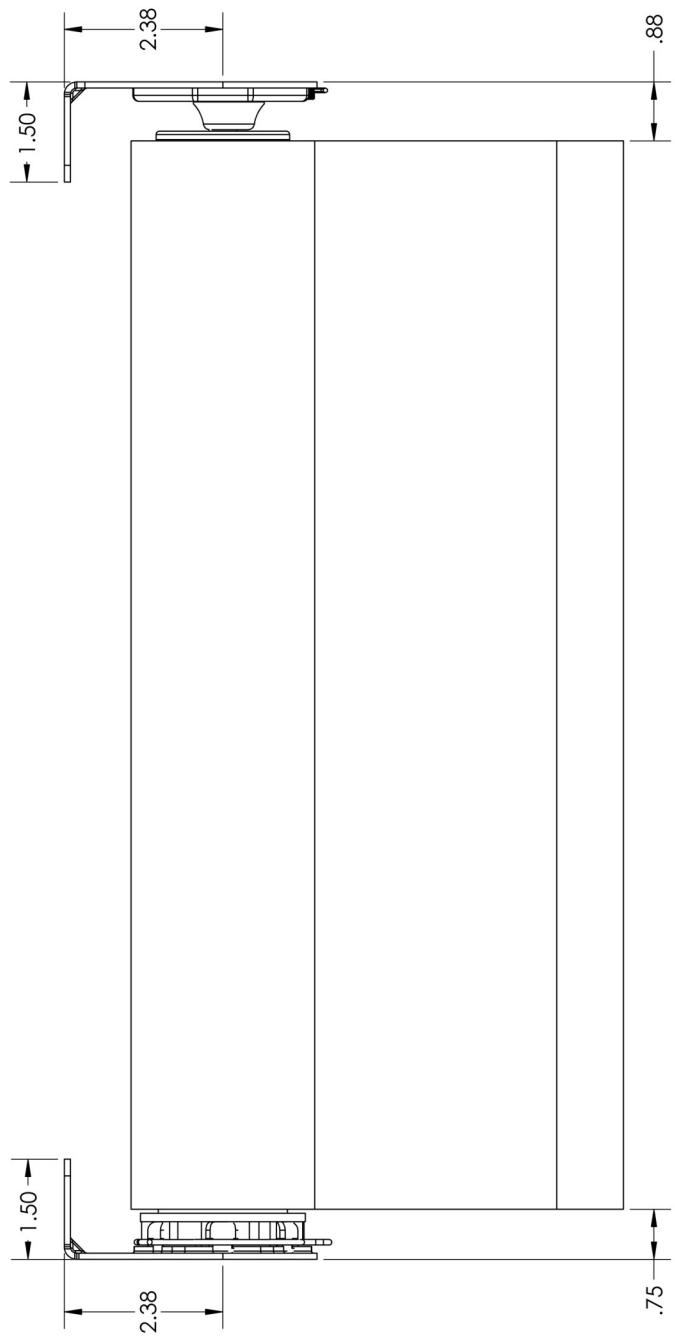
CIERA 6” DSF Single Motorized Shade System for Somfy LT50 Motors With Adjustable Height Idler Bracket	E1-E4
CIERA 6” DSF Single Motorized Shade System for Somfy LT50 Motors Coupled Single Shade With Adjustable Height Idler and Coupler Bracket	E5-E8
CIERA 6” DSF Single Motorized Shade System for Somfy LT50 Motors With Non Adjustable Height Idler Bracket	E9-E12
CIERA 6” DSF Single Motorized Shade System for Somfy LT50 Motors Coupled Single Shade With Non Adjustable Height Idler and Coupler Bracket	E13-E16



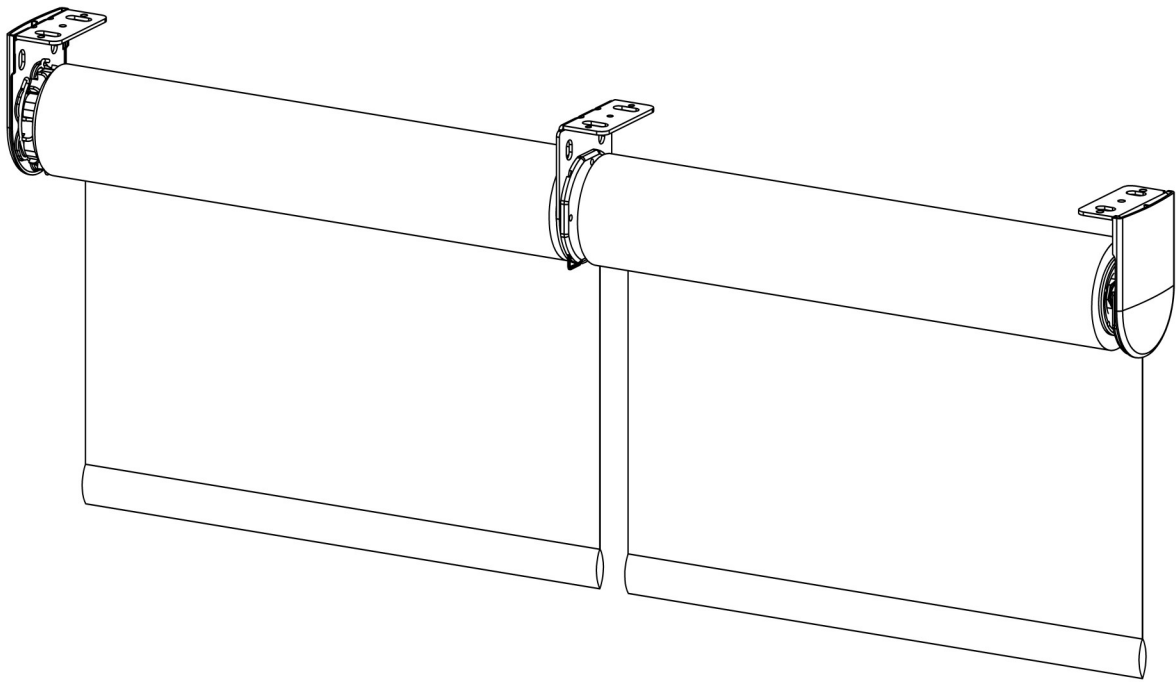


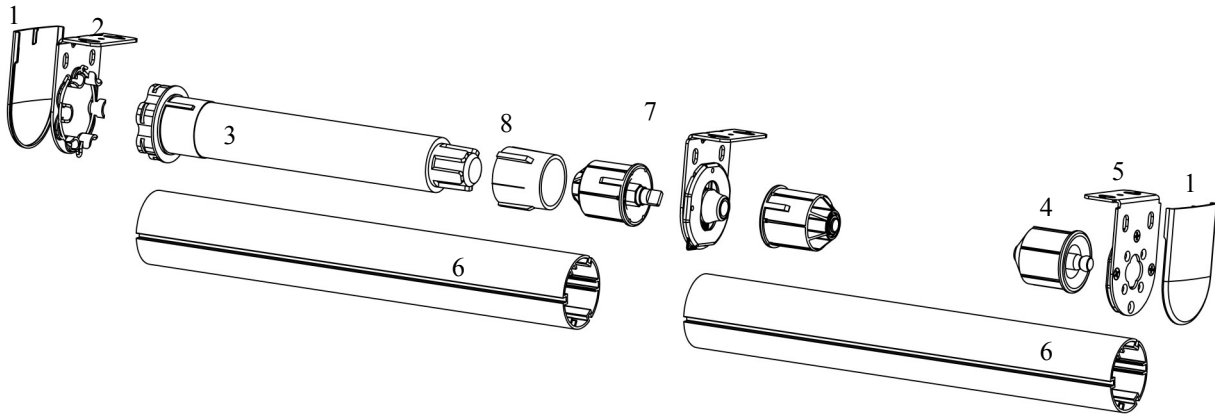
#	Part #	Description	Other
1	MSBC	Motorized Shade Bracket Cover	
2	SHMB	Star Head Motor Bracket	
3		Somfy 500 Motor	
4	CI2I	Collapsible Idler 2 Inch	
5	AIBAS	Adjustable Idler Bracket Assembly Short	
6		2" Tube	
7	238ITD3K	2 3/8 Inch Tube Drive 3 Key	

 <p>SHMB - Zinc</p> <p>Star Head Motor Bracket</p>	 <p>MSBC - White MSBC - Grey MSBC - Black MSBC - Vanilla</p> <p>Motorized Shade Bracket Cover</p>	 <p>CI2I</p> <p>Collapsible Idler 2 Inch</p>	 <p>AIBAS CM AIBAS WM Left AIBAS WM Right</p> <p>Adjustable Idler Bracket</p>
 <p>238ITD3K</p> <p>2 3/8 Inch Tube Drive 3 Key</p>	 <p>TA2. 5I</p> <p>Tube Adapter 2.5 Inch</p>	 <p>TD2. 5I</p> <p>Tube Drive 2.5 Inch</p>	

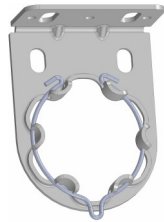
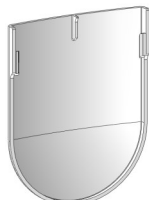
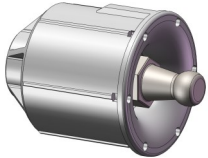
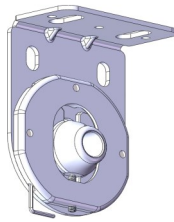
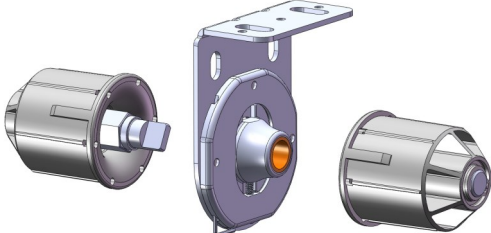
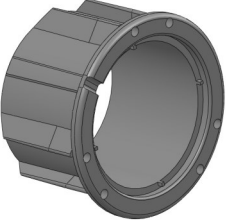
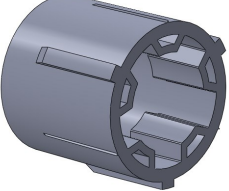
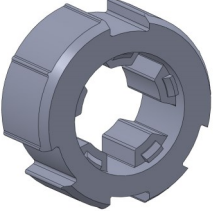


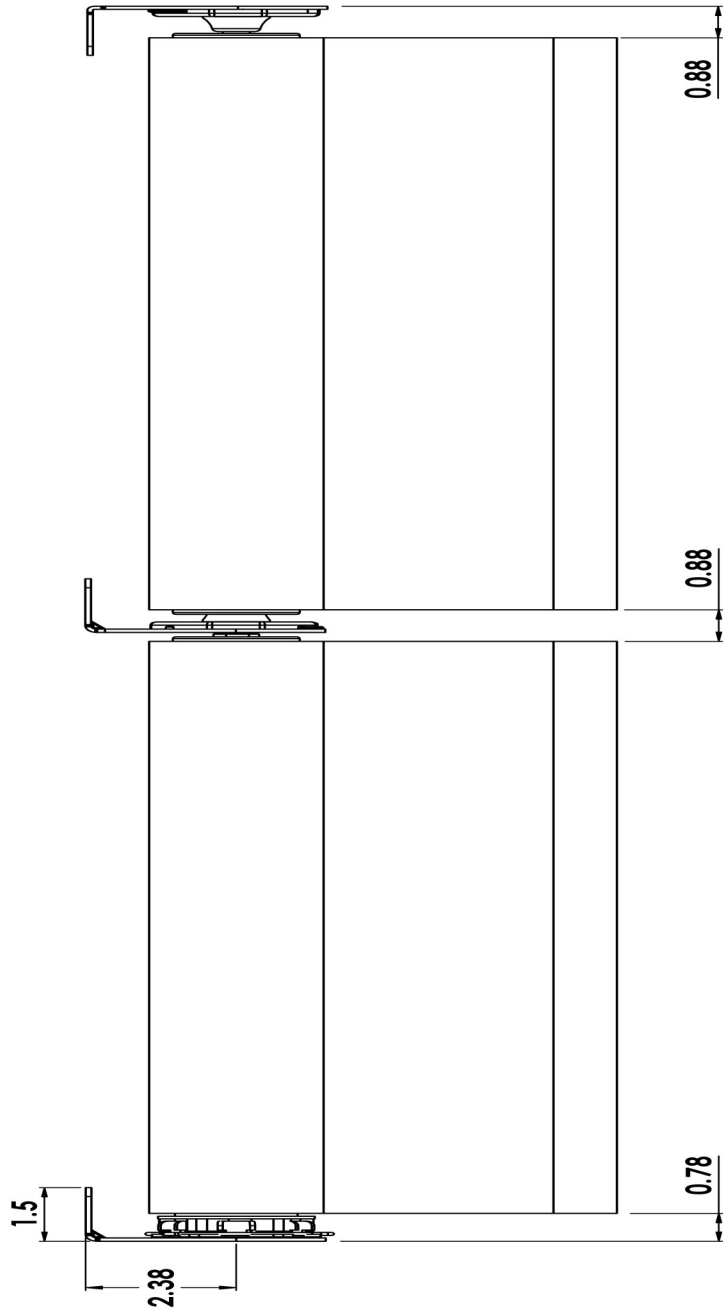
CIERA Motorized Shade System for Somfy LT 50 motors
Coupled Shade With Adjustable Height Idler and Coupler Bracket

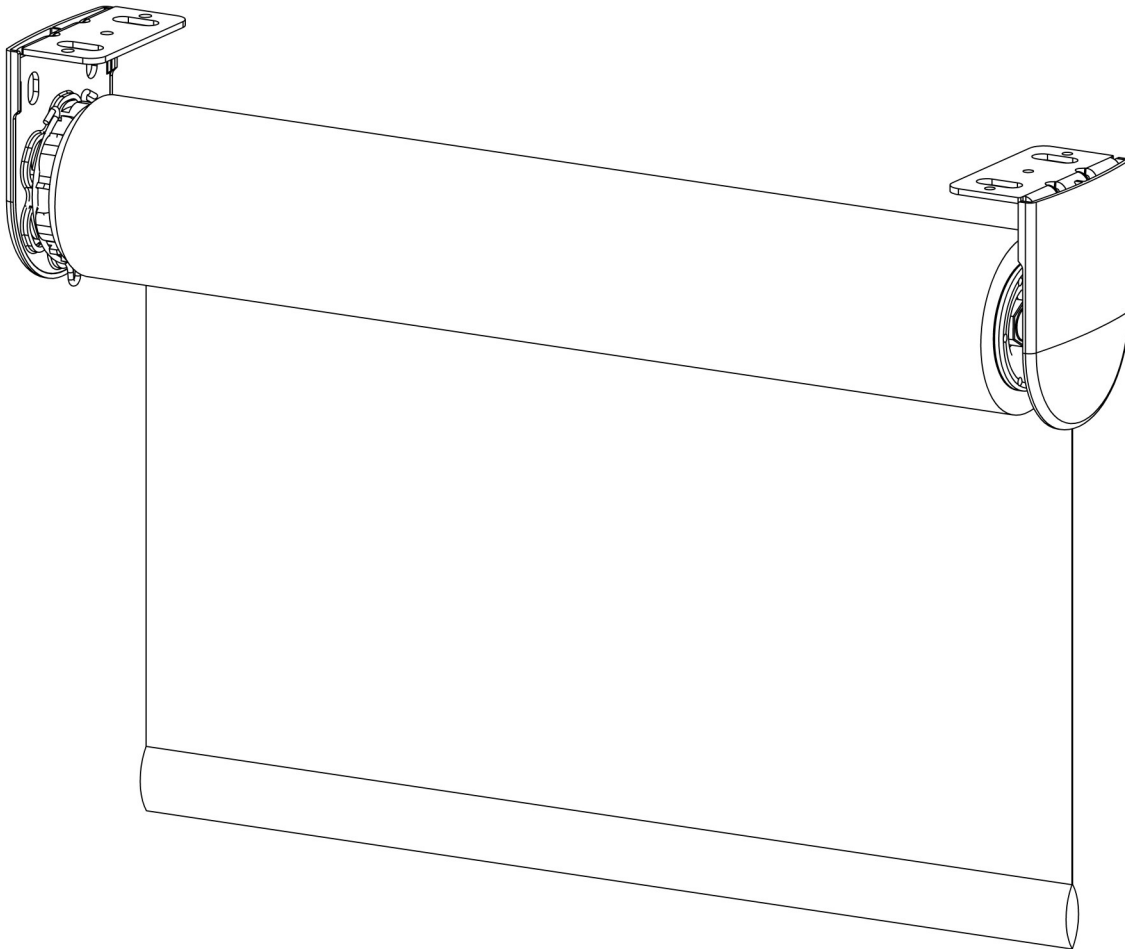


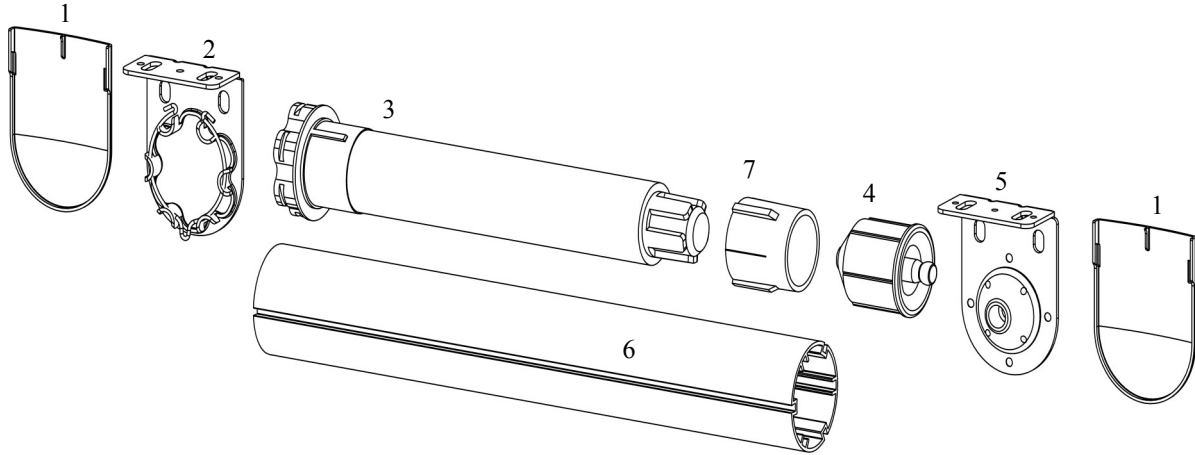


#	Part #	Description	Other
1	MSBC	Motorized Shade Bracket Cover	
2	SHMB	Star Head Motor Bracket	
3		Somfy 500 Motor	
4	CI2I	Collapsible Idler 2 Inch	
5	AIBAS	Adjustable Idler Bracket Assembly Short	
6		2" Tube	
7	ACBAS	Adjustable Coupled Bracket Assembly Short	
8	238ITD3K	2 3/8 Inch Tube Drive 3 Key	



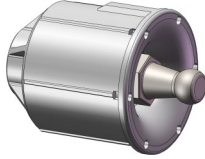
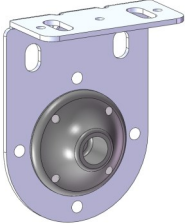
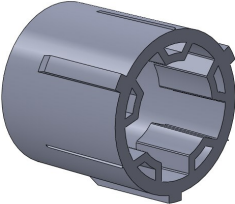
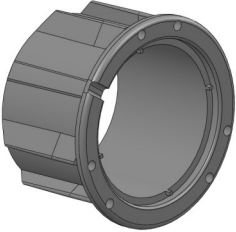
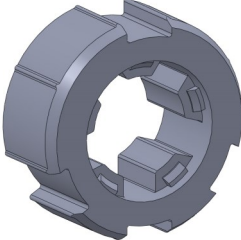
 <p>SHMB - Zinc</p> <p>Star Head Motor Bracket</p>	 <p>MSBC - White MSBC - Grey MSBC - Black MSBC - Vanilla</p> <p>Motorized Shade Bracket Cover</p>	 <p>CI2I</p> <p>Collapsible Idler 2 Inch</p>	 <p>AIBAS - CM AIBAS - WM RH AIBAS - WM LH</p> <p>Adjustable Idler Bracket Assembly Short</p>
 <p>ACBAS - CM ACBAS - WM RH ACBAS - WM LH</p> <p>Adjustable Coupler Bracket Assembly Short</p>		 <p>TA2. 5I</p> <p>Tube Adapter 2.5 Inch</p>	 <p>238ITD3K</p> <p>2 3/8 Inch Tube Drive 3 Key</p>
 <p>TD2. 5I</p> <p>Tube Drive 2.5 Inch</p>			

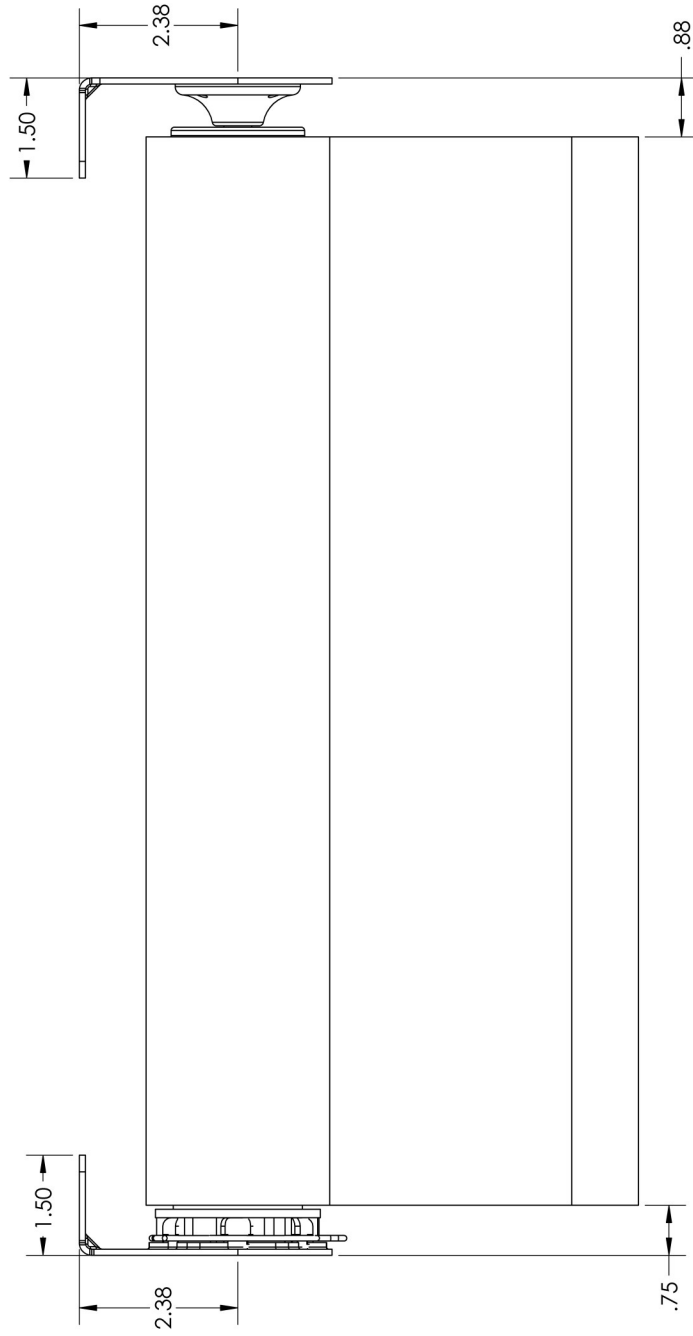


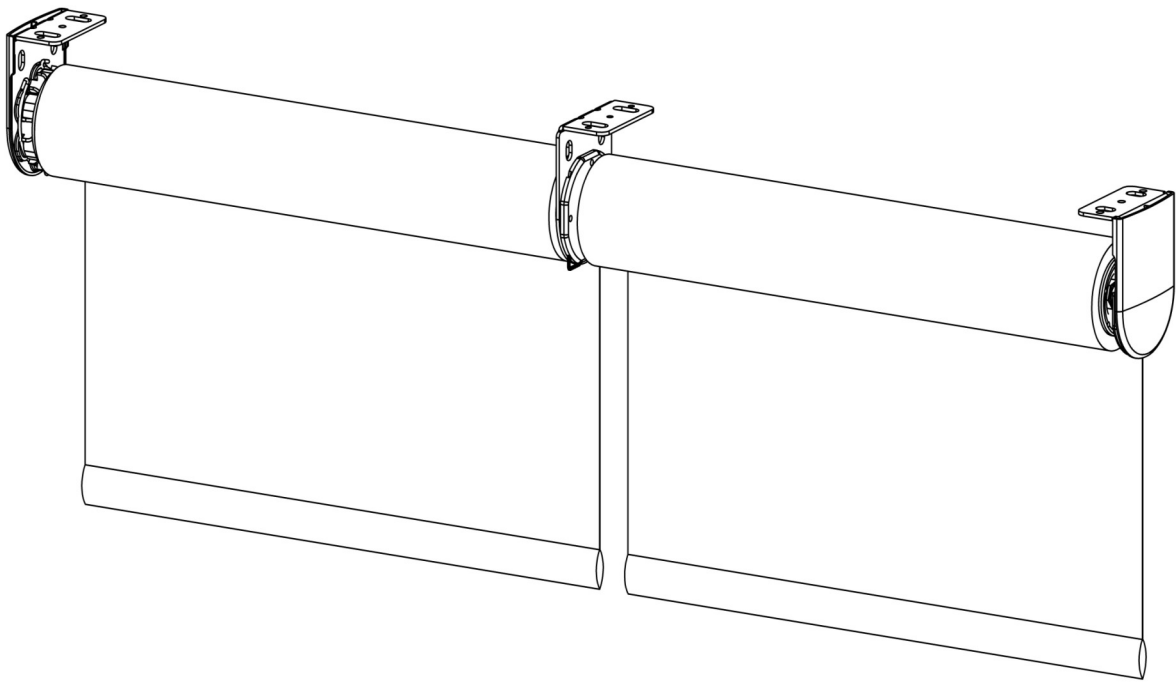


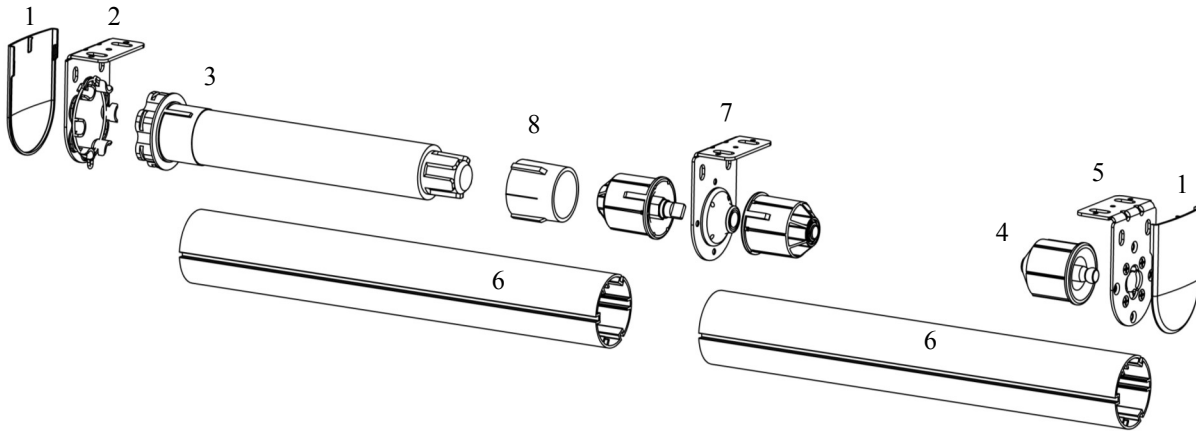


#	Part #	Description	Other
1	MSBC	Motorized Shade Bracket Cover	
2	SHMB	Star Head Motor Bracket	
3		Somfy 500 Motor	
4	CI2I	Collapsible Idler 2 Inch	
5	BIS	Bracket Idler Short	
6		2" Tube	
7	238ITD3K	2 3/8 Inch Tube Drive 3 Key	



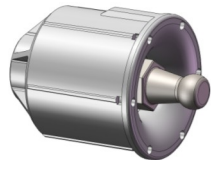
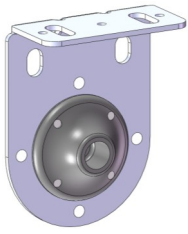
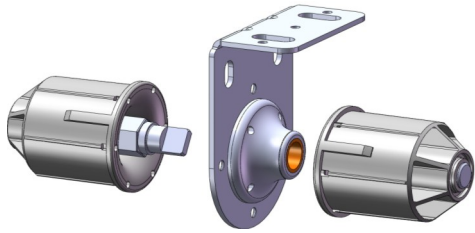
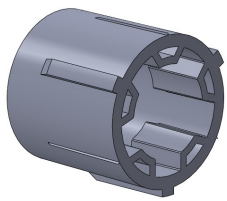
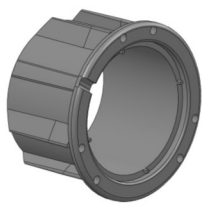
 <p>SHMB - Zinc Star Head Motor Bracket</p>	 <p>MSBC - White MSBC - Grey MSBC - Black MSBC - Vanilla Motorized Shade Bracket Cover</p>	 <p>CI2I Collapsible Idler 2 Inch</p>	 <p>BIS - Zinc Bracket Idler Short</p>
 <p>238ITD3K 2 3/8 Inch Tube Drive 3 Key</p>	 <p>TA2. 5I Tube Adapter 2.5 Inch</p>	 <p>TD2. 5I Tube Drive 2.5 Inch</p>	

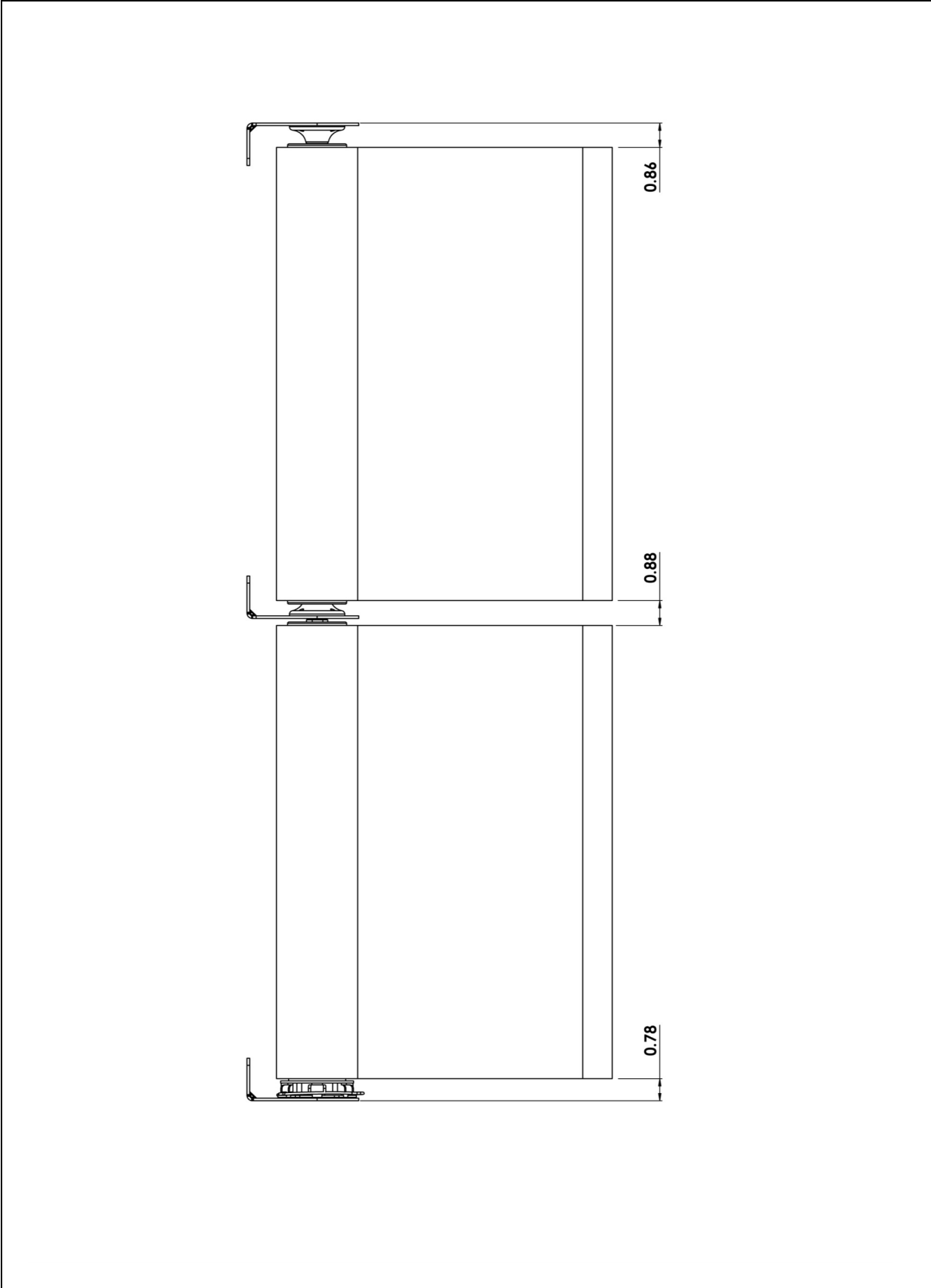






#	Part #	Description	Other
1	MSBC	Motorized Shade Bracket Cover	
2	SHMB	Star Head Motor Bracket	
3		Somfy 500 Motor	
4	CI2I	Collapsible Idler 2 Inch	
5	BIS	Bracket Idler Short	
6		2" Tube	
7	CBAS	Coupled Bracket Assembly Short	
8	238ITD3K	2 3/8 Inch Tube Drive 3 Key	

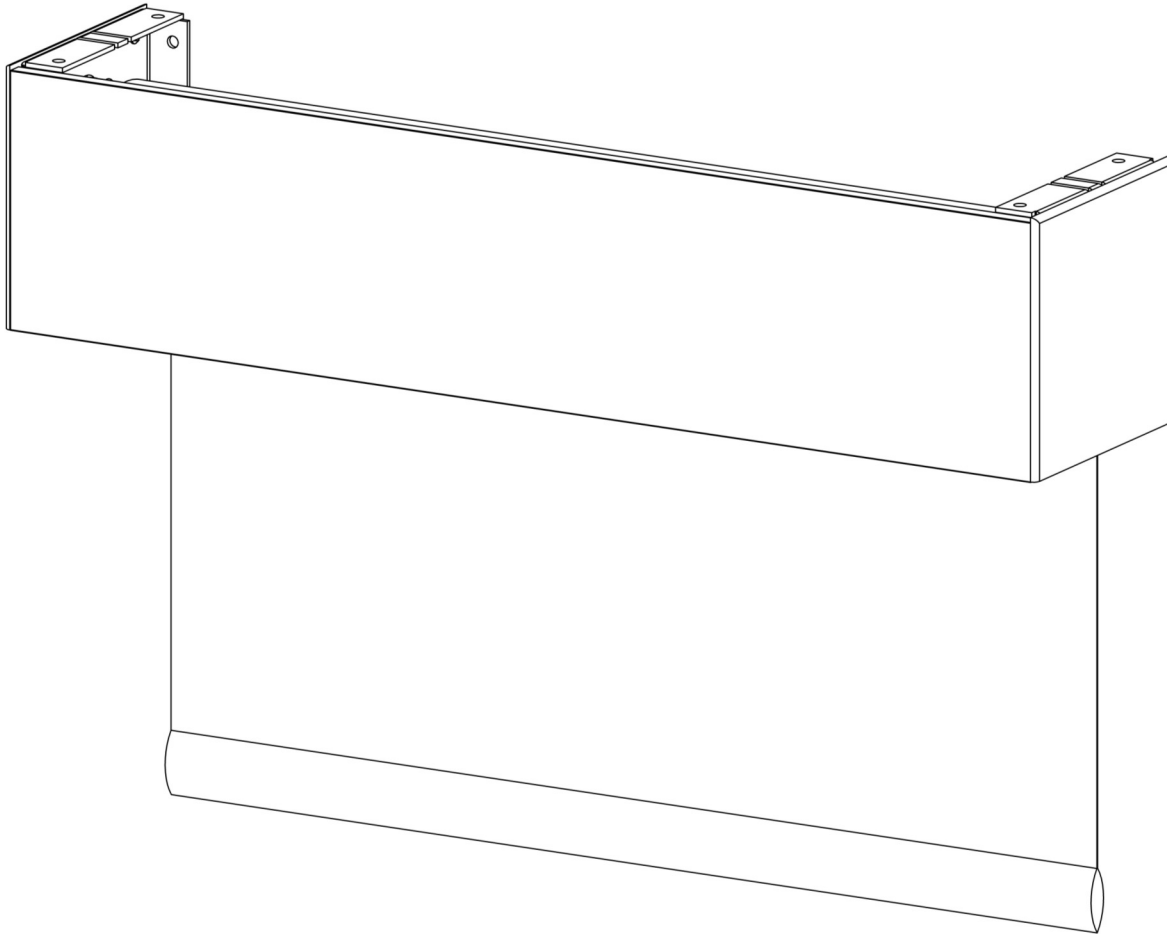
 <p>SHMB - Zinc</p> <p>Star Head Motor Bracket</p>	 <p>MSBC - White MSBC - Grey MSBC - Black MSBC - Vanilla</p> <p>Motorized Shade Bracket Cover</p>	 <p>CI2I</p> <p>Collapsible Idler 2 Inch</p>	 <p>BIS - Zinc</p> <p>Bracket Idler Short</p>
 <p>CBAS - Zinc</p> <p>Coupled Bracket Assembly Short</p>		 <p>238ITD3K</p> <p>2 3/8 Inch Tube Drive 3 Key</p>	 <p>TA2. 5I</p> <p>Tube Adapter 2.5 Inch</p>
 <p>TD2. 5I</p> <p>Tube Drive 2.5 Inch</p>			



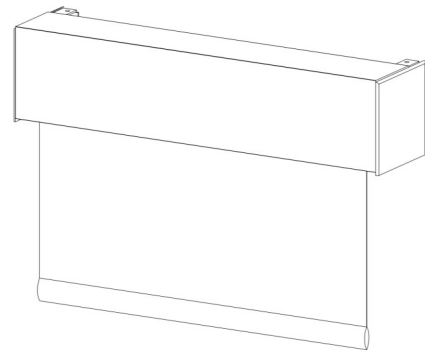


CIERA 4" Fascia Motorized Shade System for Somfy LT 50 Motors

With Adjustable Height Idler Bracket

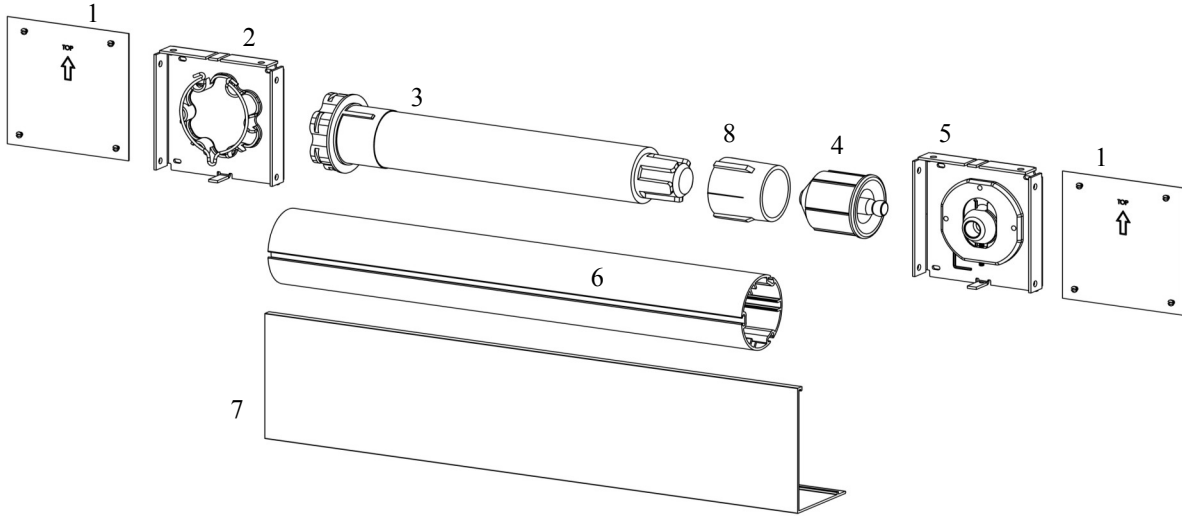


All 4" Fascia Brackets can be used for reversed roll shades



CIERA 4" Fascia Motorized Shade System for Somfy LT 50 Motors


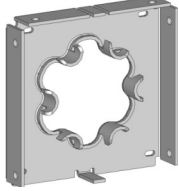
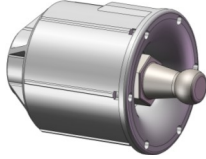
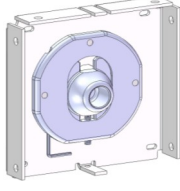
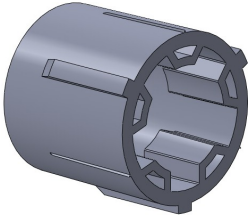
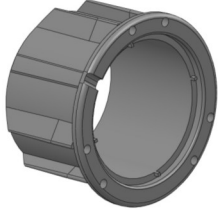
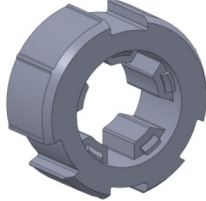
With Adjustable Height Idler Bracket

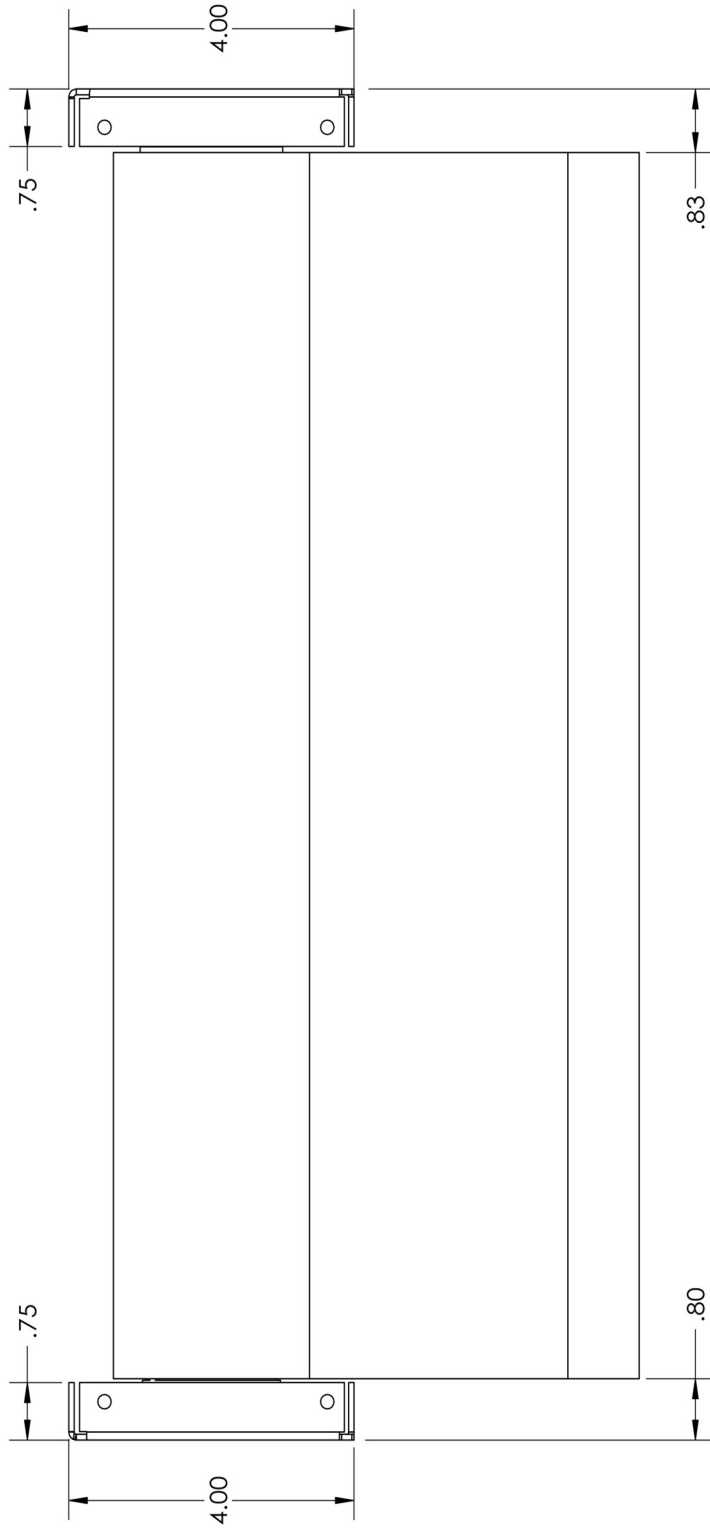


#	Part #	Description	Other
1	4IFBEC	4" Fascia Bracket End Cap	
2	4IFMB	4" Fascia Motor Bracket	
3		Somfy 500 Motor	
4	CI2I	Collapsible Idler 2 Inch	
5	AIBBA	Adjustable Idler Box Bracket Assembly	
6		2" Tube	
7		4" Fascia	
8	238ITD3K	2 3/8 Inch Tube Drive 3 Key	

CIERA 4" Fascia Motorized Shade System for Somfy LT 50 Motors

With Adjustable Height Idler Bracket

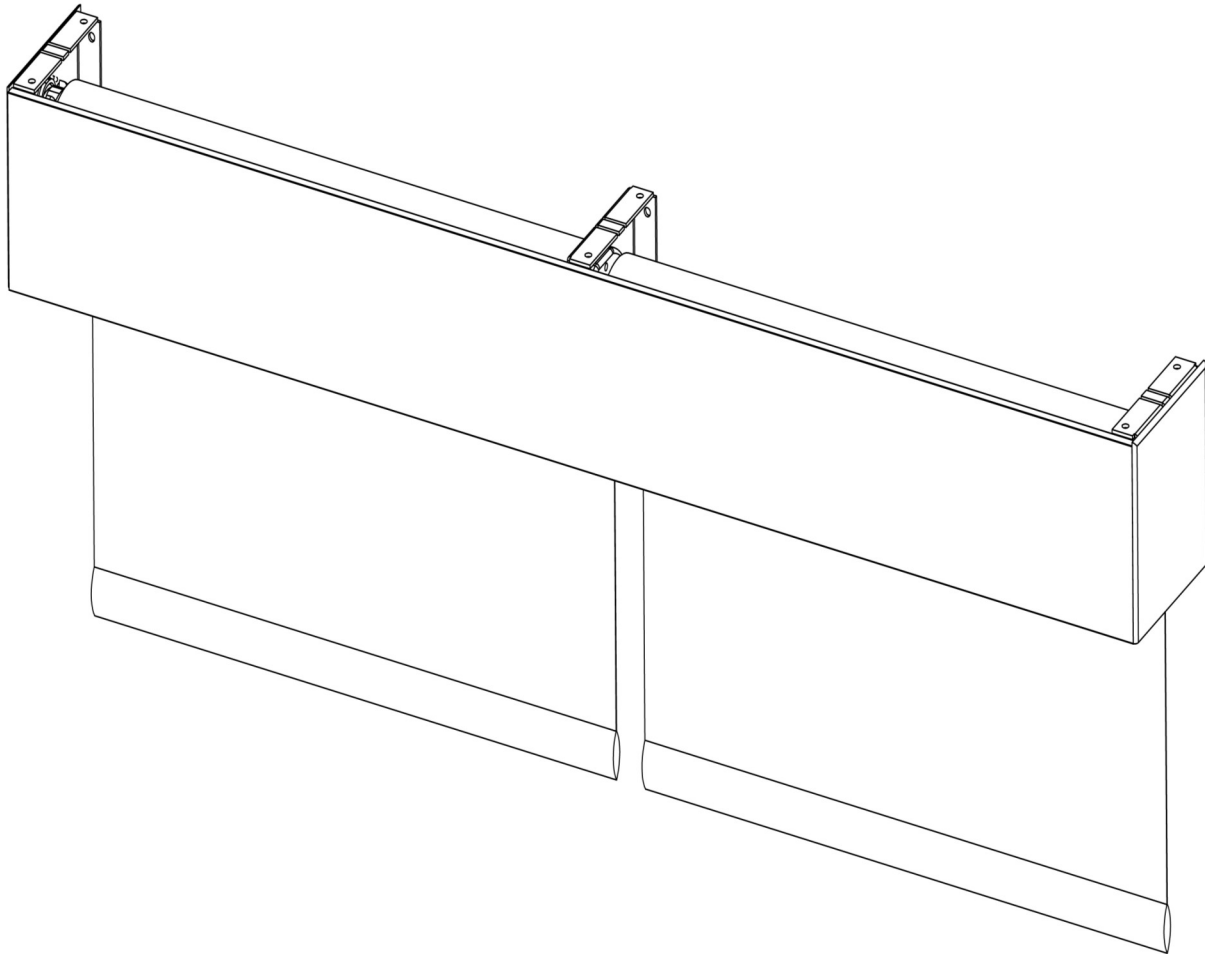
 <p>4IFBEC - White 4IFBEC - Black 4IFBEC - Grey 4IFBEC - Vanilla 4IFBEC - Bronze</p> <p>4" Fascia Bracket End Cap</p>	 <p>4IFMB - White 4IFMB - Black 4IFMB - Grey 4IFMB - Vanilla 4IFMB - Bronze</p> <p>4" Fascia Motor Bracket</p>	 <p>CI2I</p> <p>Collapsible Idler 2 Inch</p>	 <p>AIBBA - White AIBBA - Black AIBBA - Grey AIBBA - Vanilla AIBBA - Bronze</p> <p>Adjustable Idler Box Bracket Assembly</p>
 <p>238ITD3K</p> <p>2 3/8 Inch Tube Drive 3 Key</p>	 <p>TA2.5I</p> <p>Tube Adapter 2.5 Inch</p>	 <p>TD2.5I</p> <p>Tube Drive 2.5 Inch</p>	



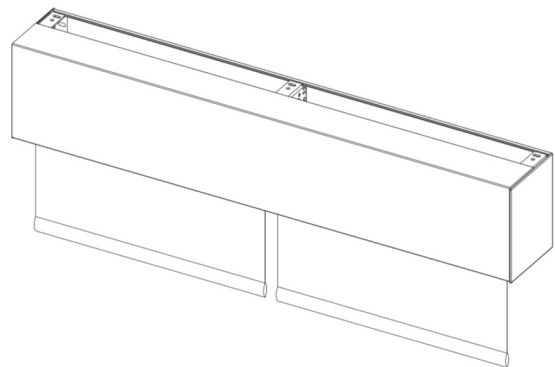


CIERA 4" Fascia Motorized Shade System for Somfy LT 50 Motors

Coupled Shade With Adjustable Height Idler and Coupler Bracket

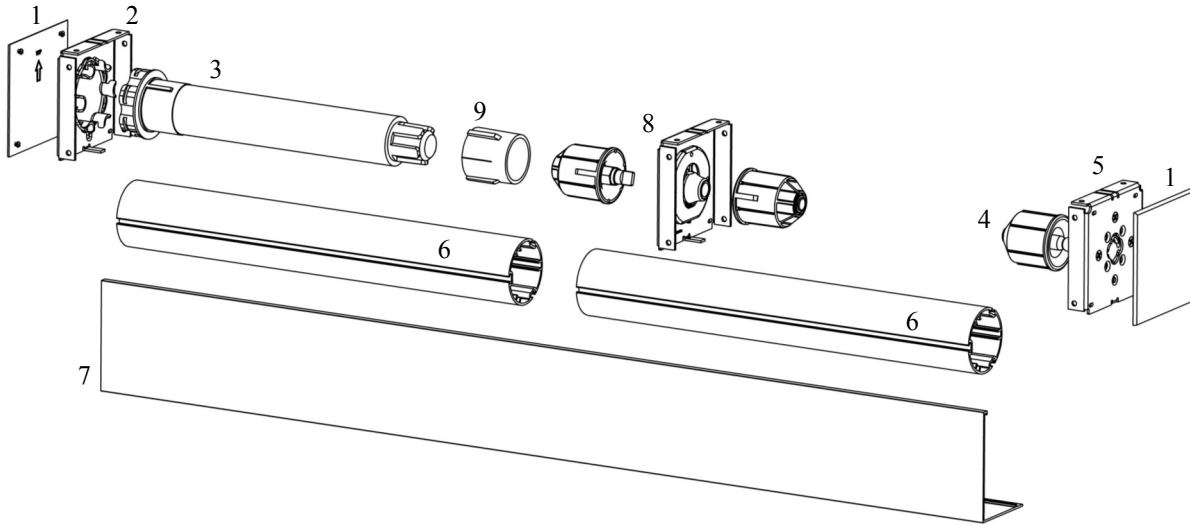


All 4" Fascia Brackets can be used for reversed roll shades



CIERA 4" Fascia Motorized Shade System for Somfy LT 50 Motors

Coupled Shade With Adjustable Height Idler and Coupler Bracket

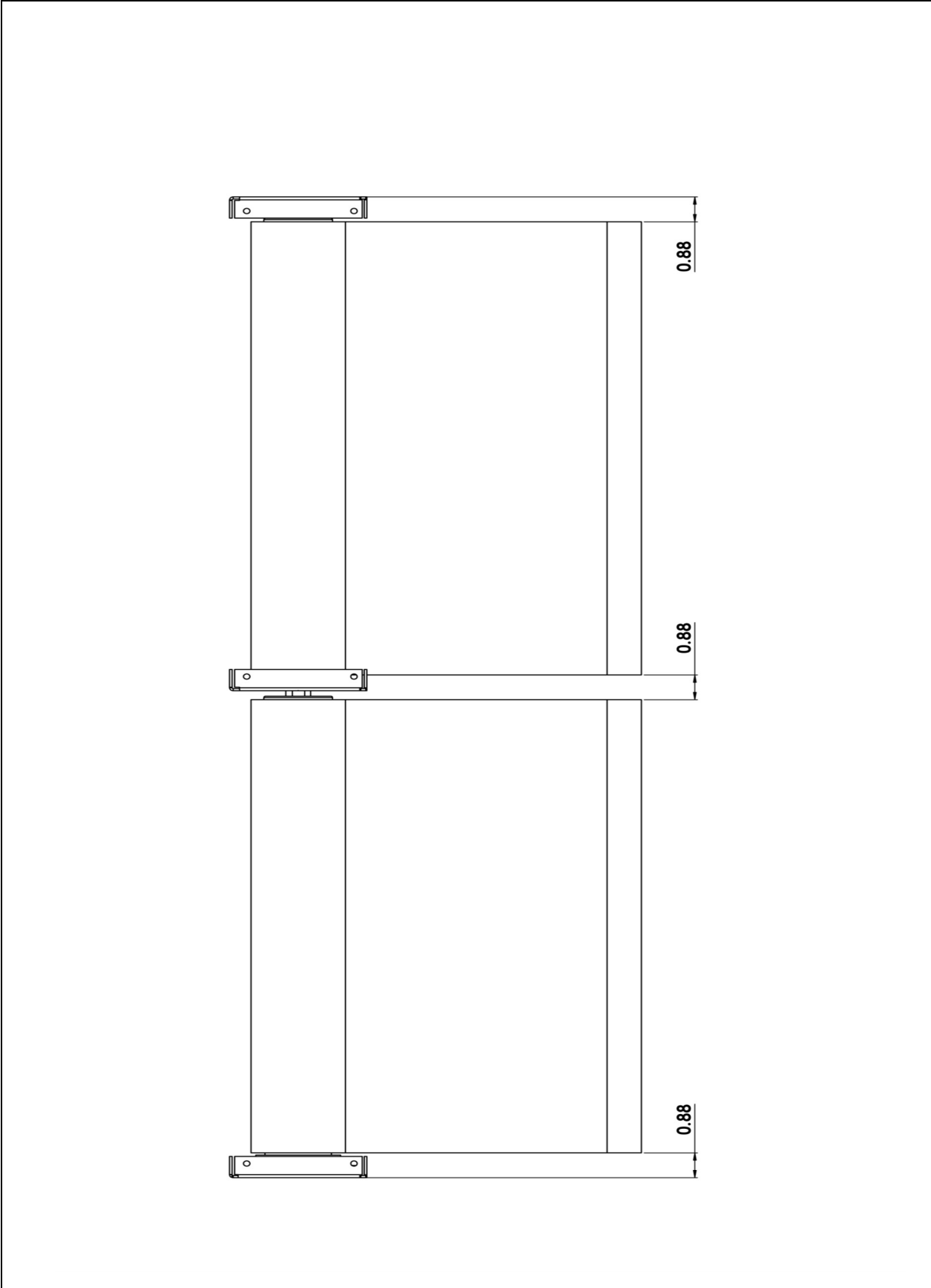


#	Part #	Description	Other
1	4IFBEC	4" Fascia Bracket End Cap	
2	4IFMB	4" Fascia Motor Bracket	
3		Somfy 500 Motor	
4	CI2I	Collapsible Idler 2 Inch	
5	AIBBA	Adjustable Idler Box Bracket Assembly	
6		2" Tube	
7		4" Fascia	
8	ACBBA	Adjustable Coupler Box Bracket Assembly	
9	238ITD3K	2 3/8 Inch Tube Drive 3 Key	



CIERA 4" Fascia Motorized Shade System for Somfy LT 50 Motors

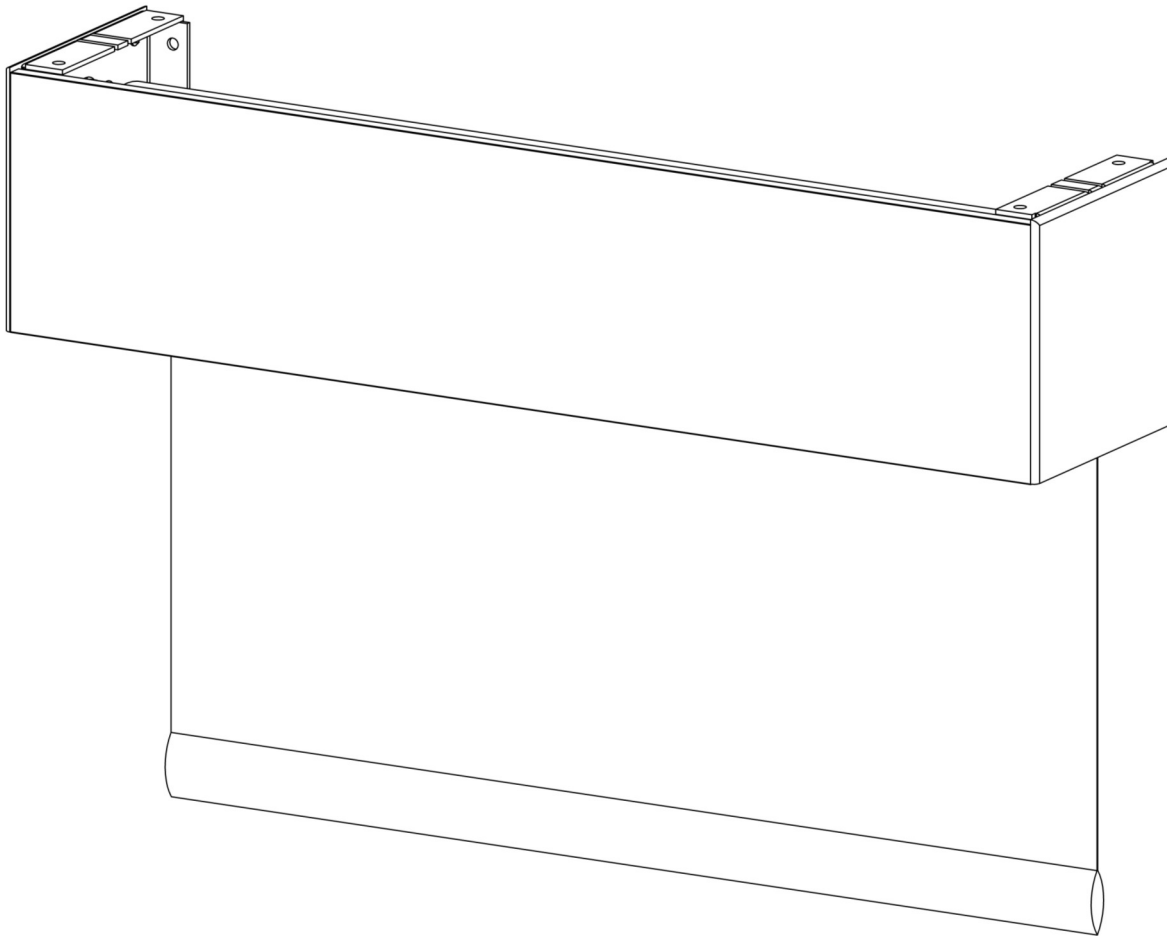
Coupled Shade With Adjustable Height Idler and Coupler Bracket



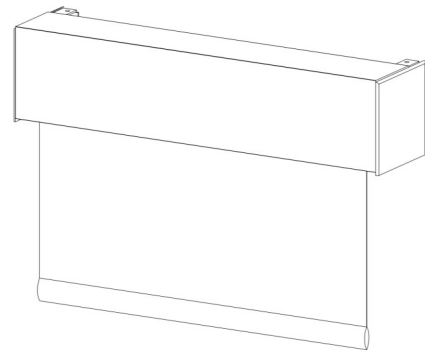


CIERA 4" Fascia Motorized Shade System for Somfy LT 50 Motors

With Non Adjustable Height Idler Bracket

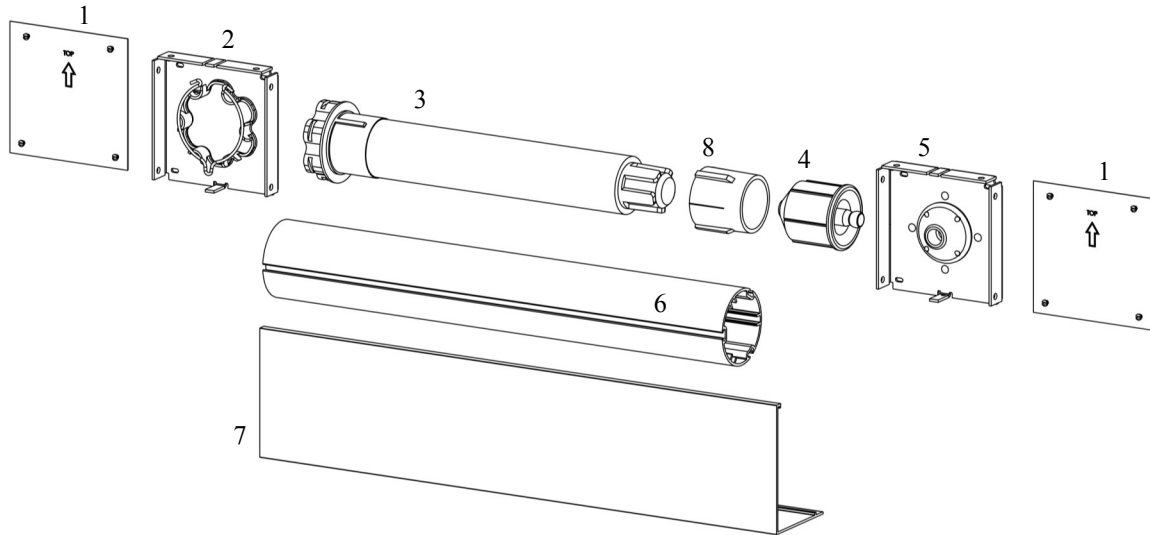


All 4" Fascia Brackets can be used for reversed roll shades



CIERA 4" Fascia Motorized Shade System for Somfy LT 50 Motors

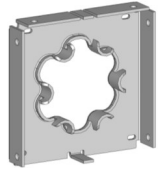

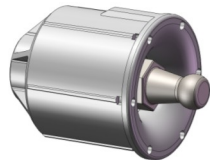
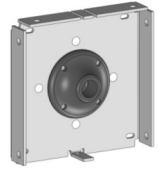
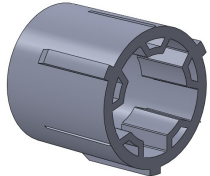
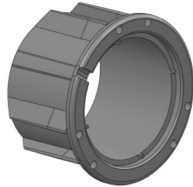
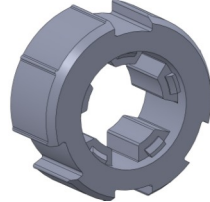
With Non Adjustable Height Idler Bracket

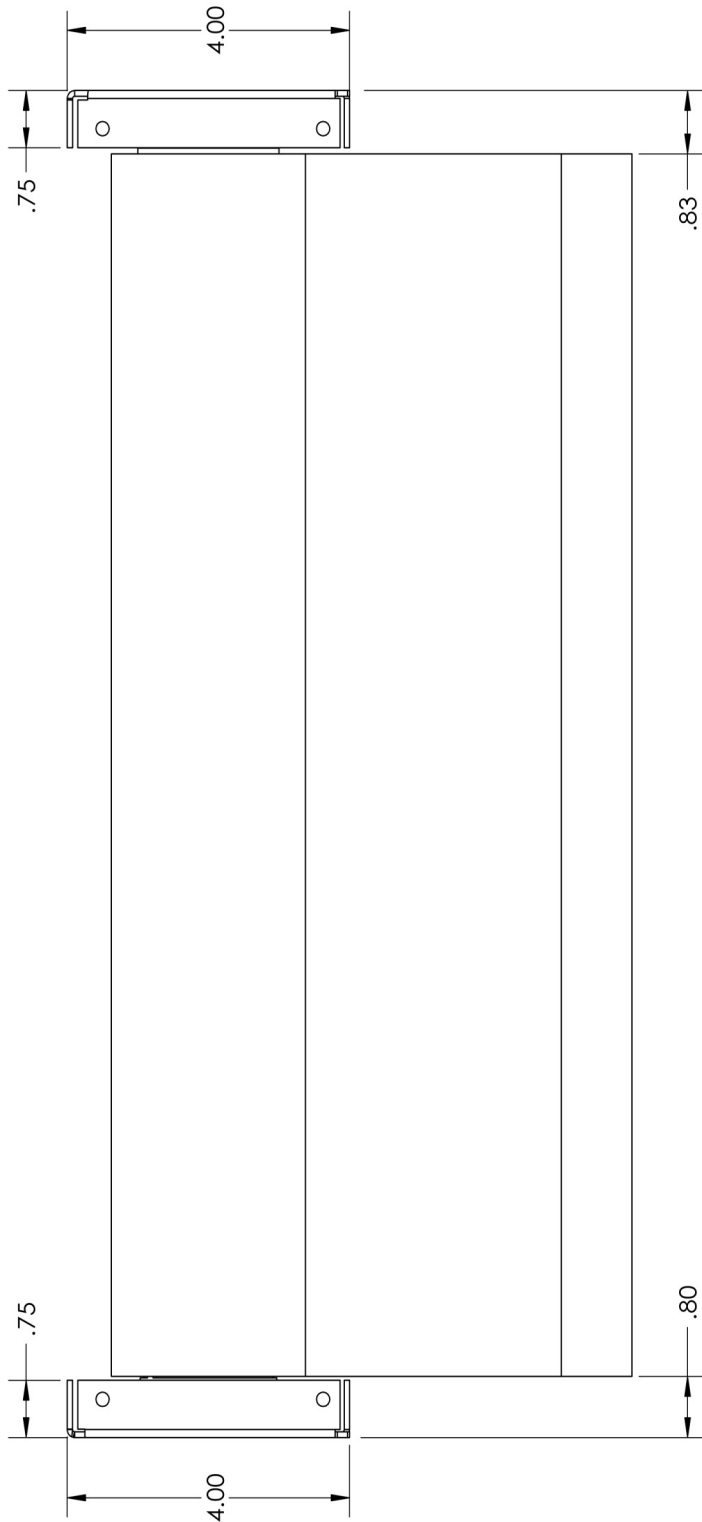


#	Part #	Description	Other
1	4IFBEC	4" Fascia Bracket End Cap	
2	4IFMB	4" Fascia Motor Bracket	
3		Somfy 500 Motor	
4	CI2I	Collapsible Idler 2 Inch	
5	IBBA	Idler Box Bracket Assembly	
6		2" Tube	
7		4" Fascia	
8	238ITD3K	2 3/8 Inch Tube Drive 3 Key	

CIERA 4" Fascia Motorized Shade System for Somfy LT 50 Motors

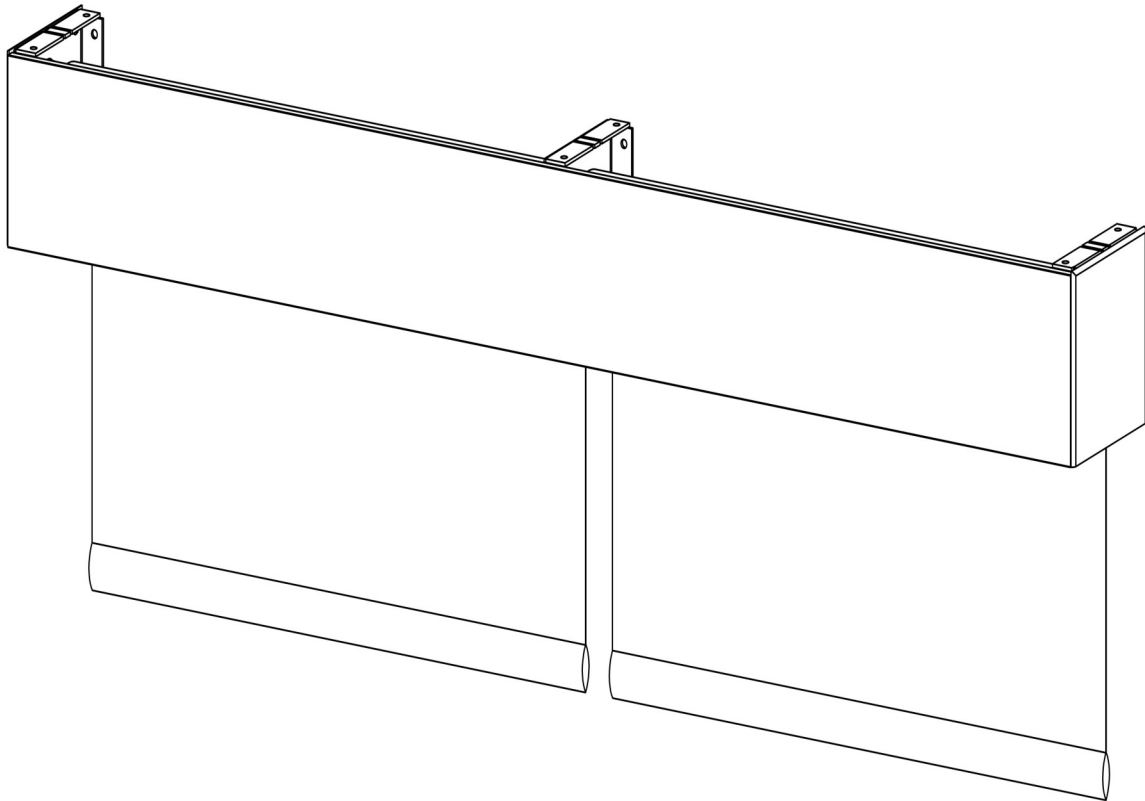
With Non Adjustable Height Idler Bracket

 <p>4IFMB - White 4IFMB - Grey 4IFMB - Black 4IFMB - Vanilla 4IFMB - Bronze</p> <p>4" Fascia Motor Bracket</p>	 <p>4IFBEC - White 4IFBEC - Grey 4IFBEC - Black 4IFBEC - Vanilla 4IFBEC - Bronze</p> <p>4" Fascia Bracket End Cap</p>	 <p>CI2I</p> <p>Collapsible Idler 2 Inch</p>	 <p>IBBA - White IBBA - Grey IBBA - Black IBBA - Vanilla IBBA - Bronze</p> <p>Idler Box Bracket Assembly</p>
 <p>238ITD3K</p> <p>2 3/8 Inch Tube Drive 3 Key</p>	 <p>TA2.5I</p> <p>Tube Adapter 2.5 Inch</p>	 <p>TD2.5I</p> <p>Tube Drive 2.5 Inch</p>	

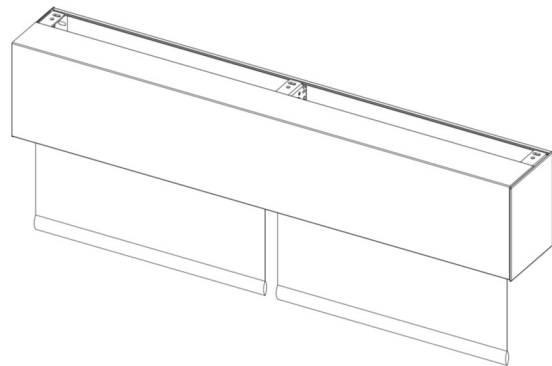


B12

CIERA 4" Fascia Motorized Shade System for Somfy LT 50 Motors
Coupled Shade With Non Adjustable Height Idler and Coupler Bracket

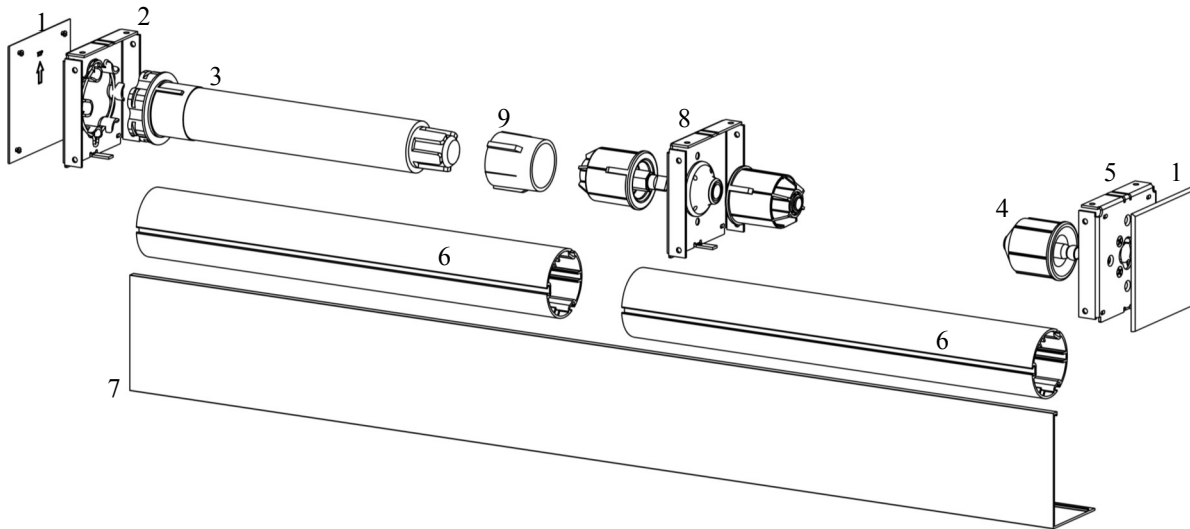


All 4" Fascia Brackets can be used for reversed roll shades



CIERA 4" Fascia Motorized Shade System for Somfy LT 50 Motors

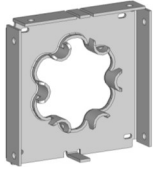

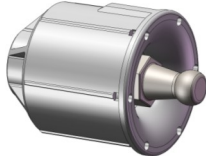

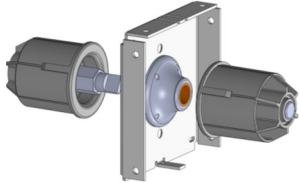
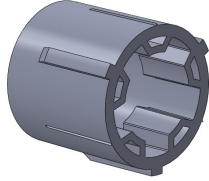
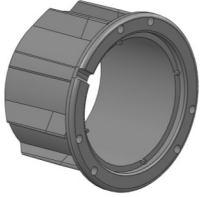
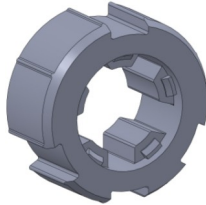
Coupled Shade With Non Adjustable Height Idler and Coupler Bracket

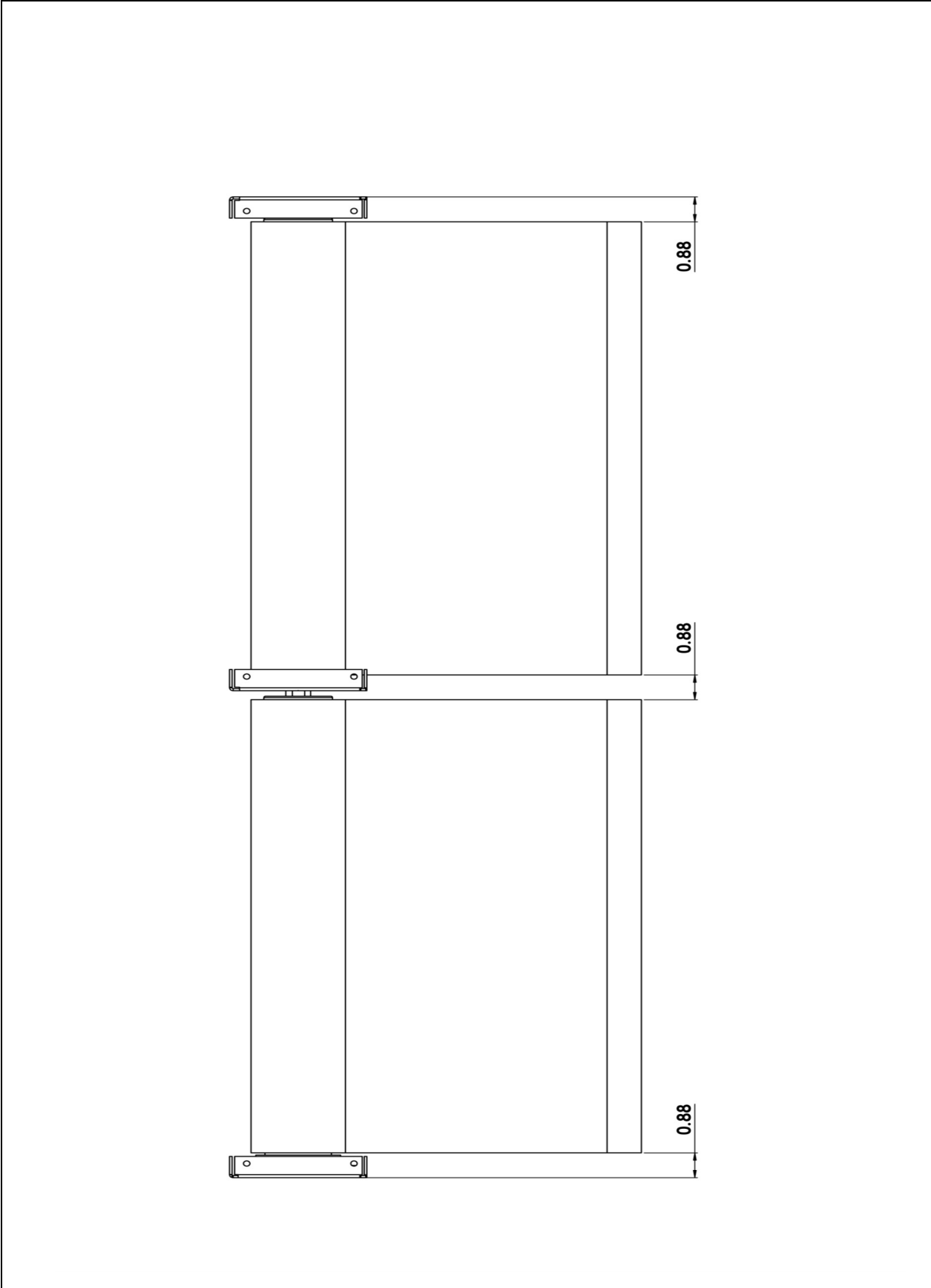


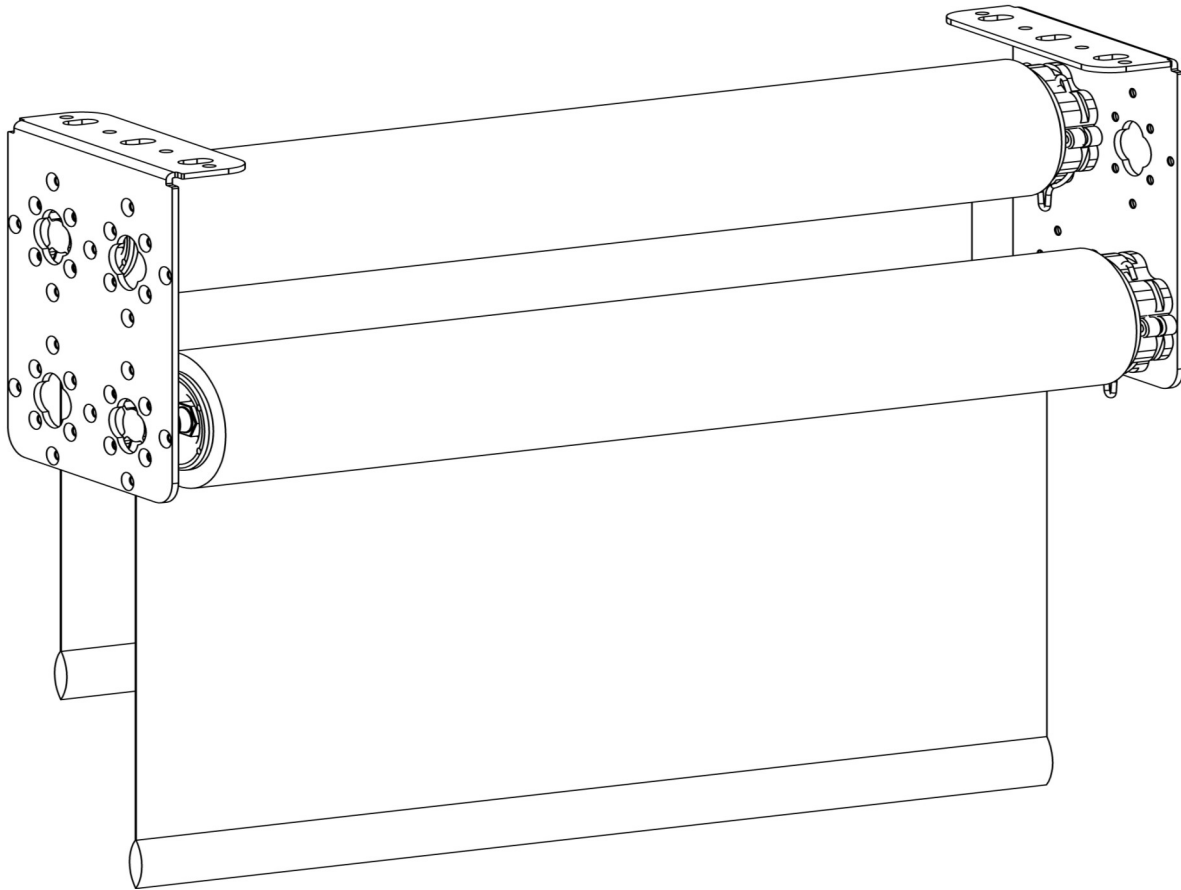
#	Part #	Description	Other
1	4IFBEC	4" Fascia Bracket End Cap	
2	4IFMB	4" Fascia Motor Bracket	
3		Somfy 500 Motor	
4	CI2I	Collapsible Idler 2 Inch	
5	IBBA	Idler Box Bracket Assembly	
6		2" Tube	
7		4" Fascia	
8	CBBA	Coupler Box Bracket Assembly	
9	238ITD3K	2 3/8 Inch Tube Drive 3 Key	

CIERA 4" Fascia Motorized Shade System for Somfy LT 50 Motors

Coupled Shade With Non Adjustable Height Idler and Coupler Bracket

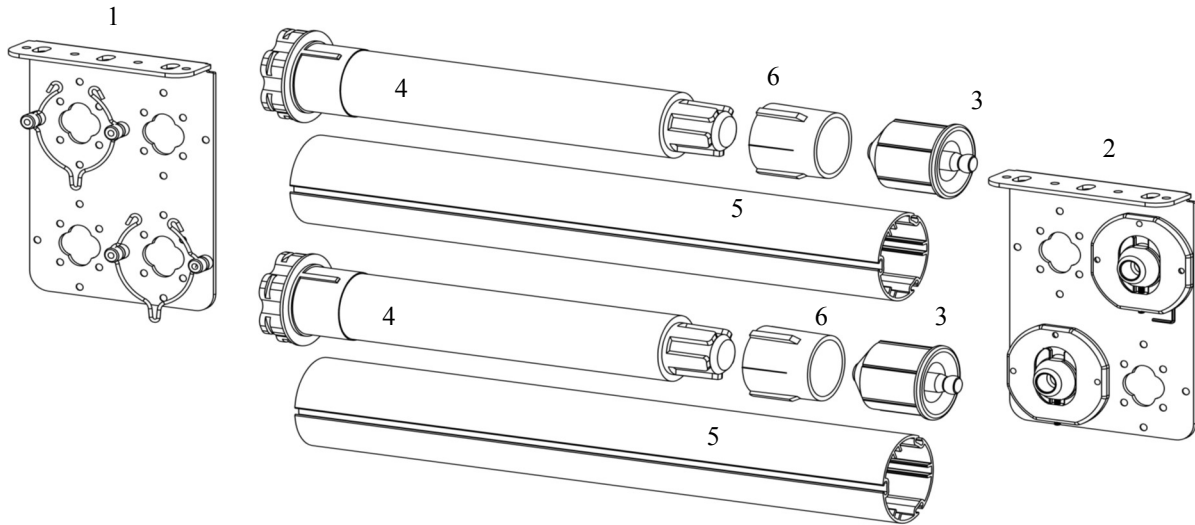
 <p>4IFMB - White 4IFMB - Grey 4IFMB - Black 4IFMB - Vanilla 4IFMB - Bronze</p> <p>4" Fascia Motor Bracket</p>	 <p>4IFBEC - White 4IFBEC - Grey 4IFBEC - Black 4IFBEC - Vanilla 4IFBEC - Bronze</p> <p>4" Fascia Bracket End Cap</p>	 <p>CI2I</p> <p>Collapsible Idler 2 Inch</p>	 <p>IBBA - White IBBA - Grey IBBA - Black IBBA - Vanilla IBBA - Bronze</p> <p>Idler Box Bracket Assembly</p>
 <p>CBBA - White CBBA - Grey CBBA - Black CBBA - Vanilla CBBA - Bronze</p> <p>Coupler Box Bracket Assembly</p>		 <p>238ITD3K</p> <p>2 3/8 Inch Tube Drive 3 Key</p>	 <p>TA2.5I</p> <p>Tube Adapter 2.5 Inch</p>
 <p>TD2.5I</p> <p>Tube Drive 2.5 Inch</p>			



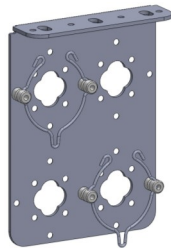
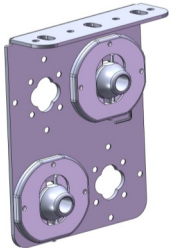
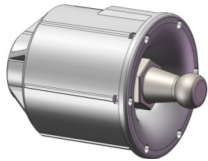
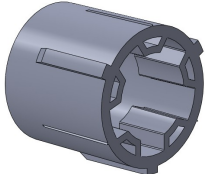
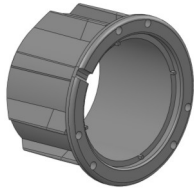
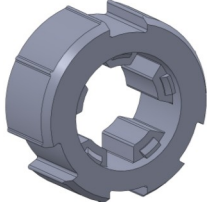


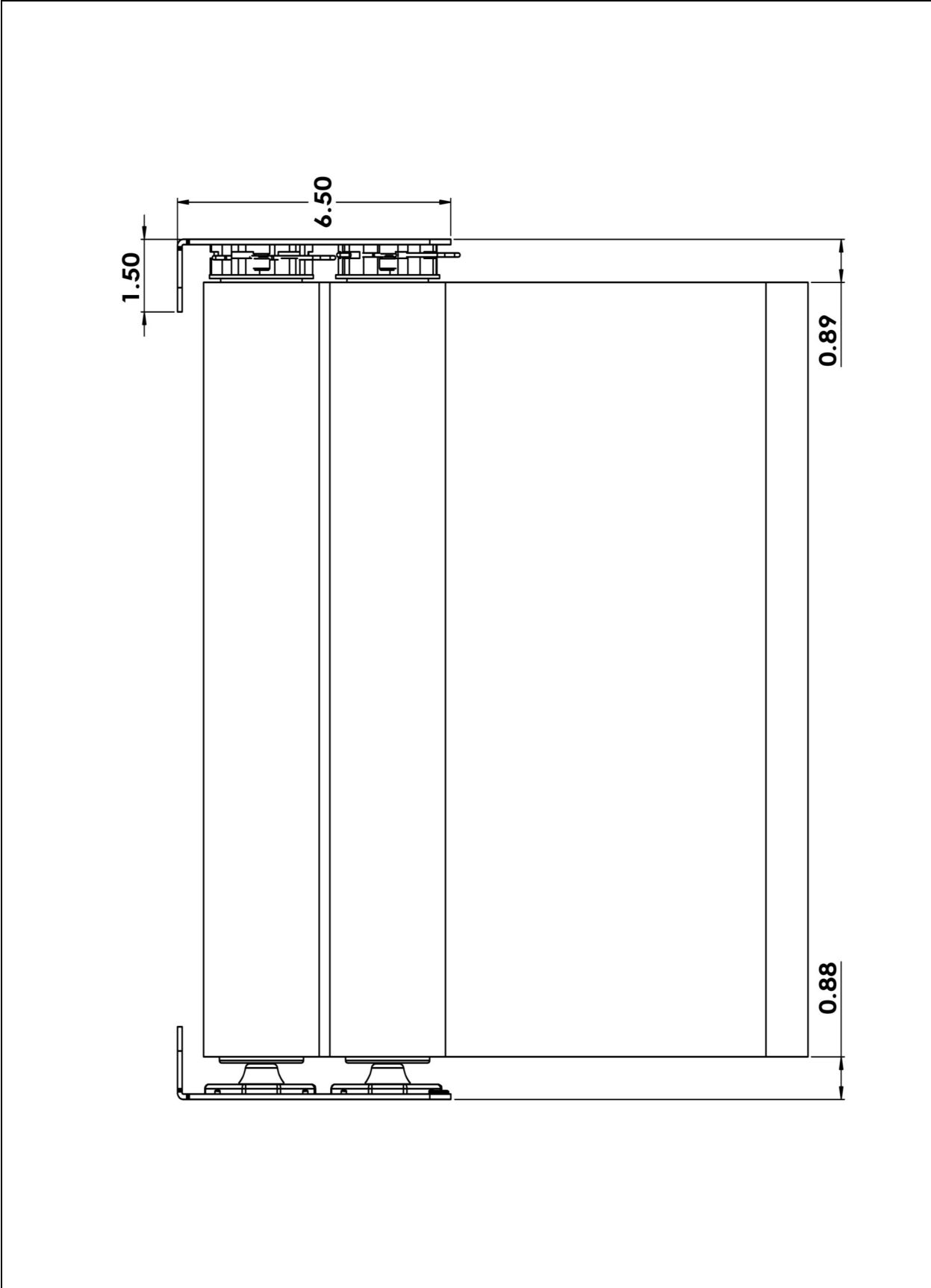
CIERA Motorized Shade System for Somfy LT 50 Motors

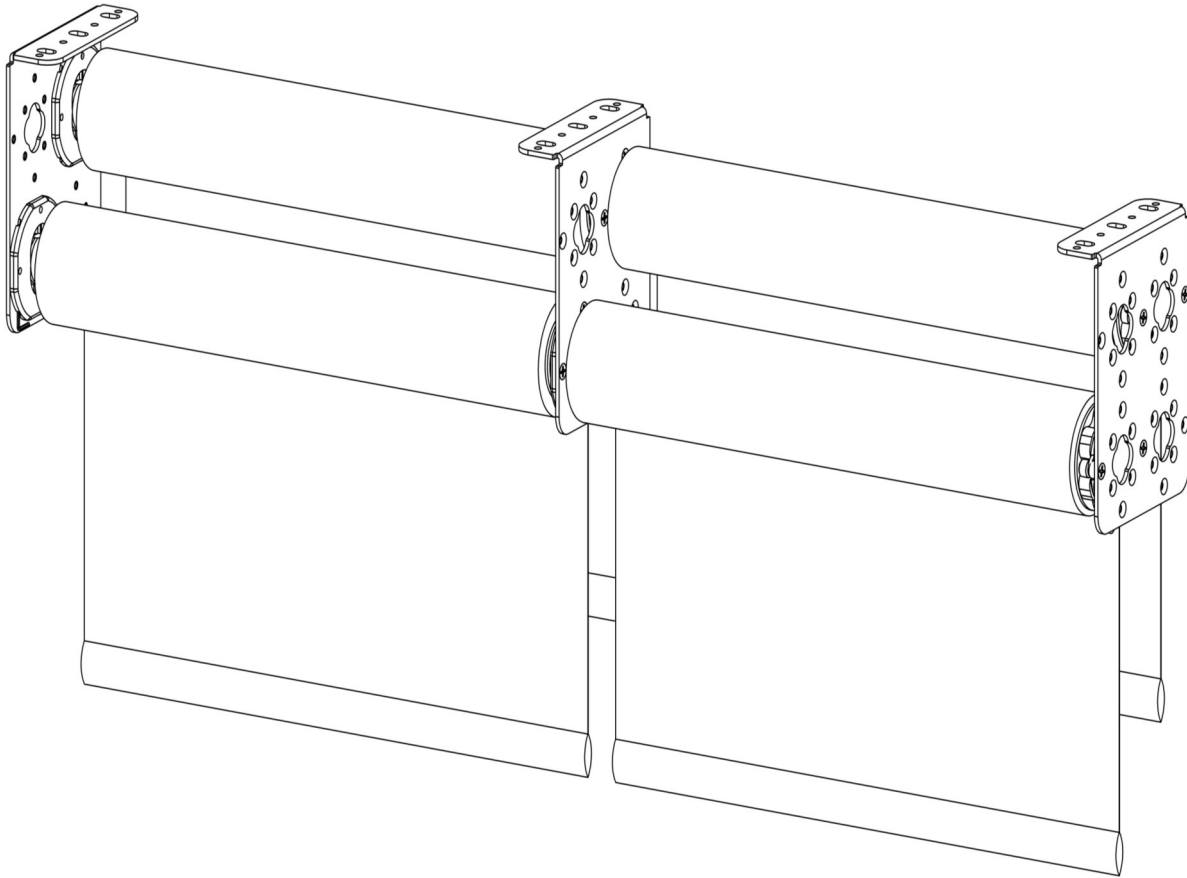
With Adjustable Height Idler and Bracket



#	Part #	Description	Other
1	DSMB	Double Shade Motor Bracket	
2	DSAIB	Double Shade Adjustable Idler Bracket	
3	CI2I	Collapsible Idler 2 Inch	
4		Somfy 500 Motor	
5		2" Tube	
6	238ITD3K	2 3/8 Inch Tube Drive 3 Key	

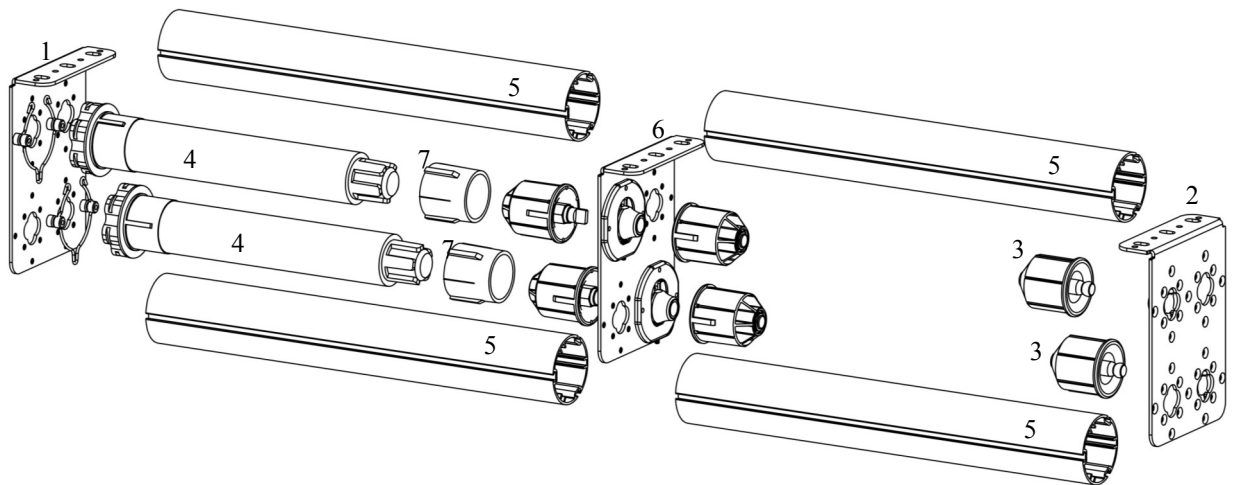
 <p>DSMB - Zinc Double Shade Motor Bracket</p>	 <p>DSAIB - Zinc Double Shade Adjustable Idler Bracket</p>	 <p>CI2I Collapsible Idler 2 Inch</p>	 <p>238ITD3K 2 3/8 Inch Tube Drive 3 Key</p>
 <p>TA2.5I Tube Adapter 2.5 Inch</p>	 <p>TD2.5I Tube Drive 2.5 Inch</p>		





CIERA Motorized Shade System for Somfy LT 50 Motors

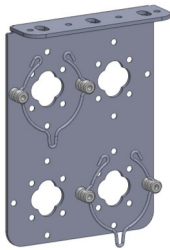
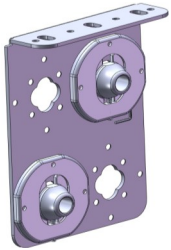
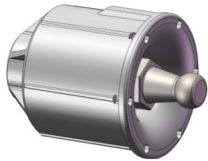
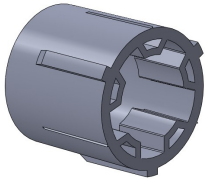
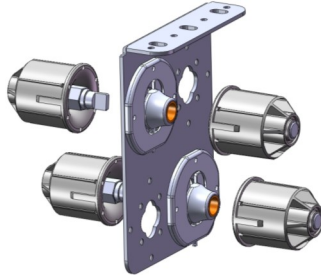
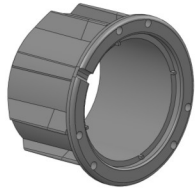
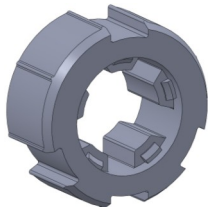
Coupled Shade With Adjustable Height Idler and Coupler Bracket

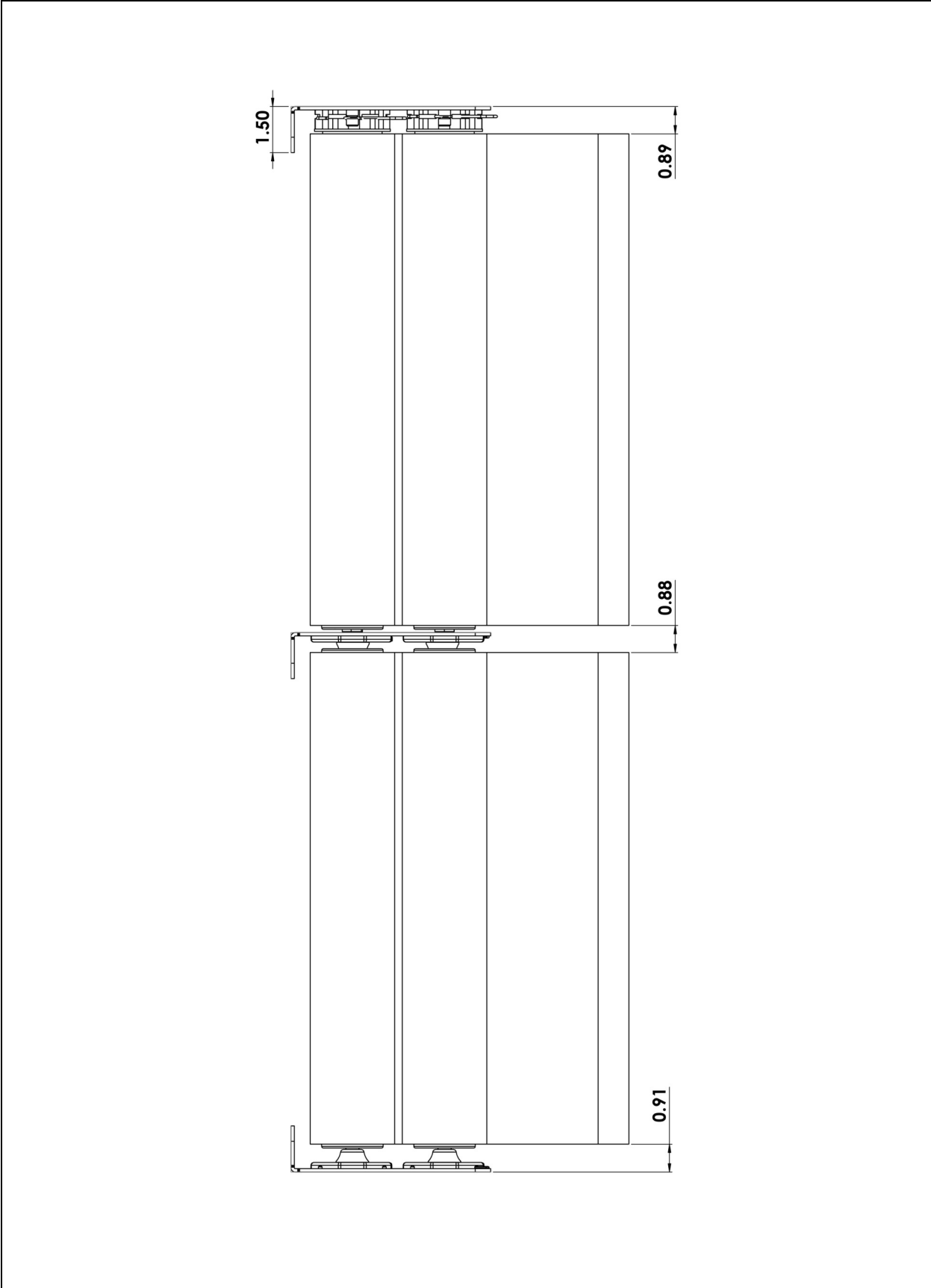


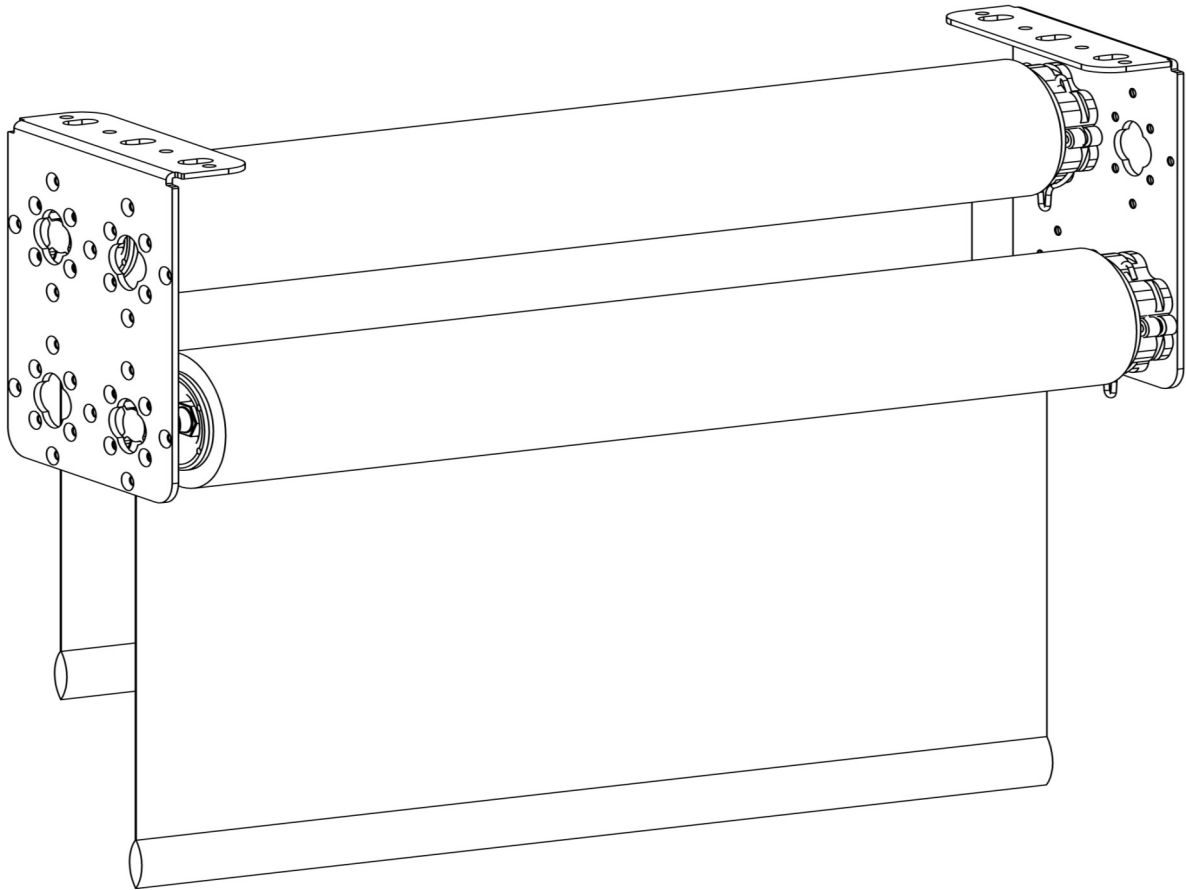
#	Part #	Description	Other
1	DSMB	Double Shade Motor Bracket	
2	DSAIB	Double Shade Adjustable Idler Bracket	
3	CI2I	Collapsibe Idler 2 Inch	
4		Somfy 500 Motor	
5		2" Tube	
6	DSACBA	Double Shade Adjustable Coupler Bracket Assembly	
7	238ITD3K	2 3/8 Inch Tube Drive 3 Key	

CIERA Motorized Shade System for Somfy LT 50 Motors

Coupled Shade With Adjustable Height Idler and Coupler Bracket

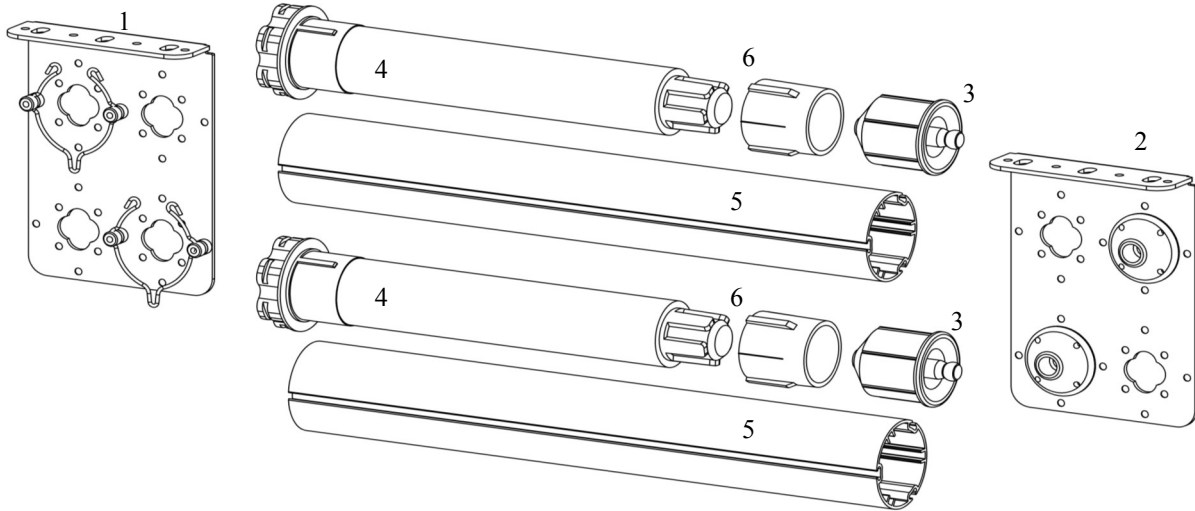
 <p>DSMB - Zinc Double Shade Motor Bracket</p>	 <p>DSAIB - Zinc Double Shade Adjustable Idler Bracket</p>	 <p>CI2I Collapsible Idler 2 Inch</p>	 <p>238ITD3K 2 3/8 Inch Tube Drive 3 Key</p>
 <p>DSACBA - Zinc Double Shade Adjustable Coupler Bracket Assembly</p>		 <p>TA2. 5I Tube Adapter 2.5 Inch</p>	 <p>TD2. 5I Tube Drive 2.5 Inch</p>



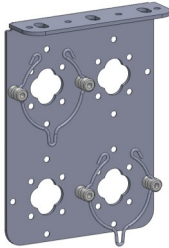

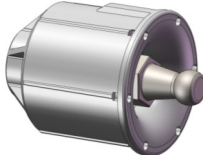
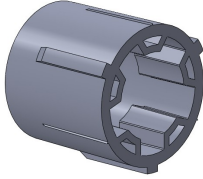
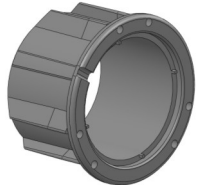
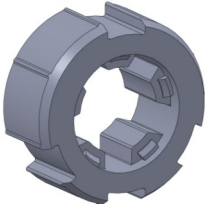


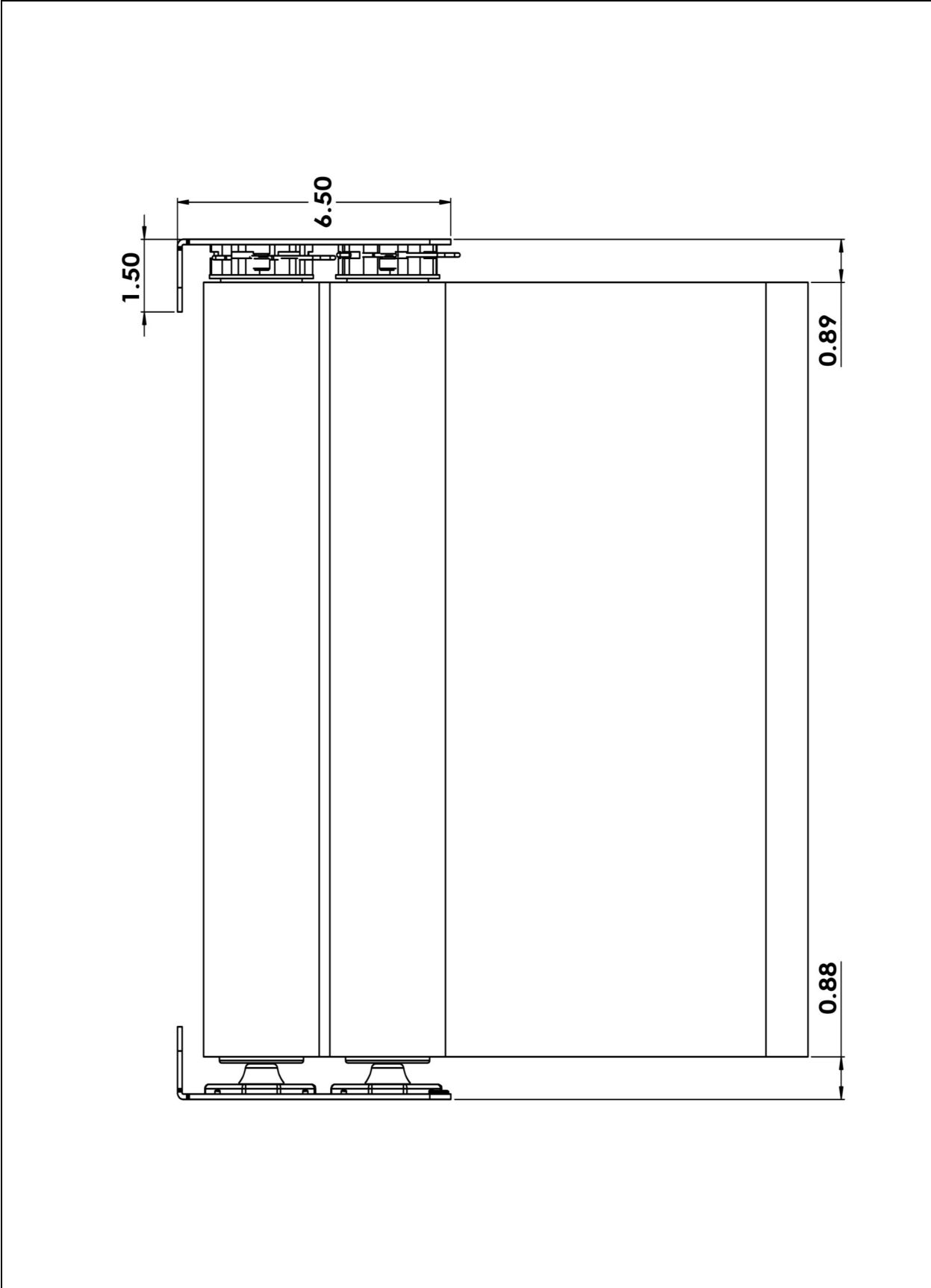
CIERA Motorized Shade System for Somfy LT 50 Motors

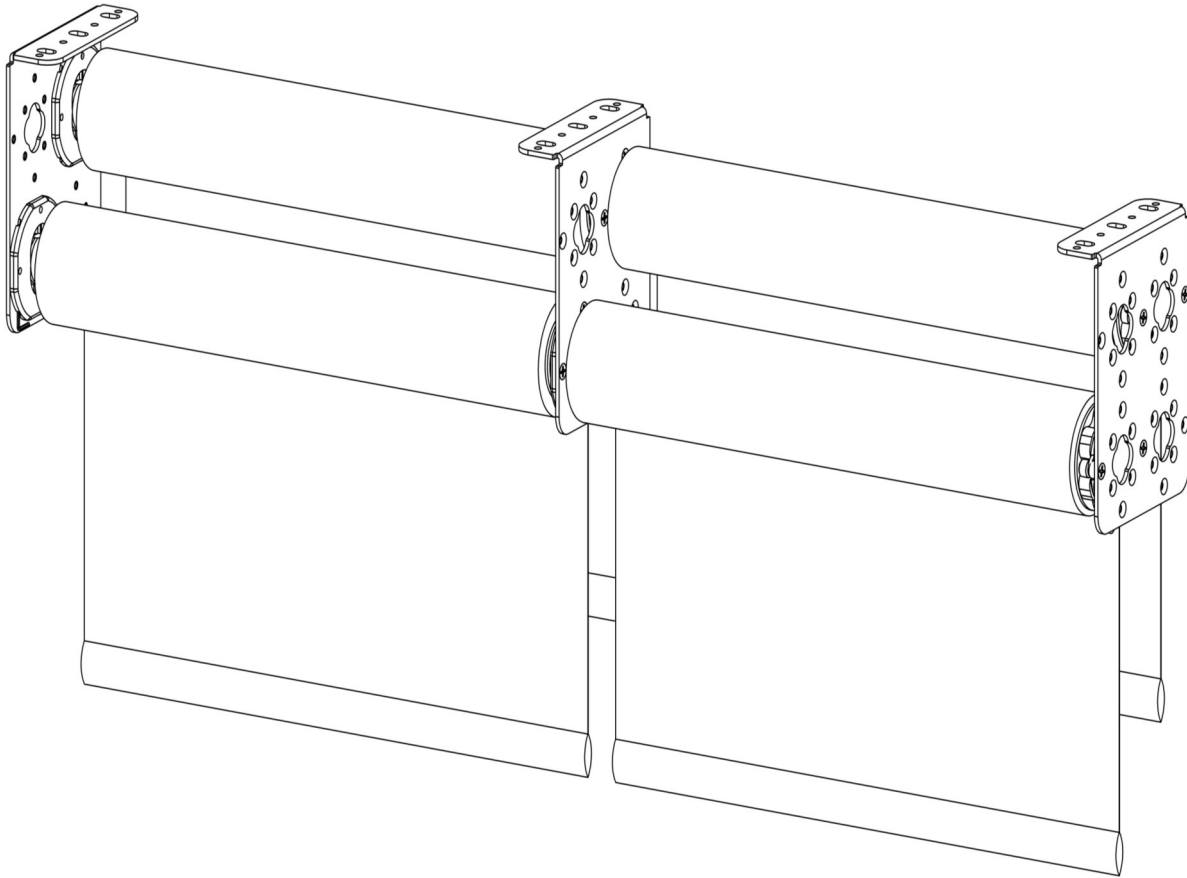
With Non Adjustable Height Idler and Bracket

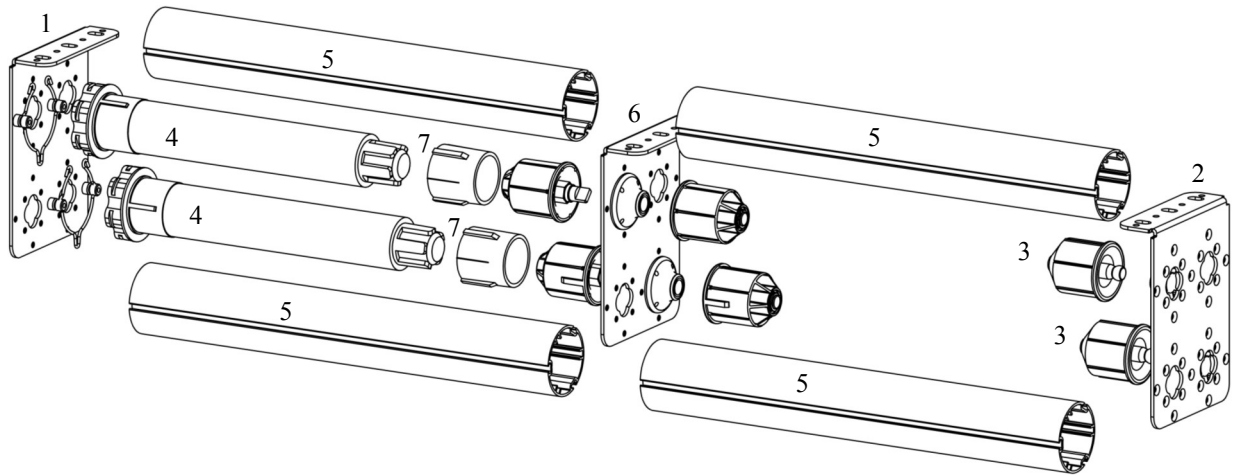


#	Part #	Description	Other
1	DSMB	Double Shade Motor Bracket	
2	DSIB	Double Shade Idler Bracket	
3	CI2I	Collapsibe Idler 2 Inch	
4		Somfy 500 Motor	
5		2" Tube	
6	238ITD3K	2 3/8 Inch Tube Drive 3 Key	

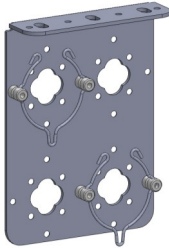

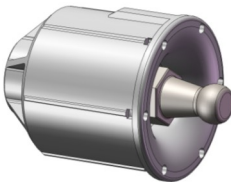
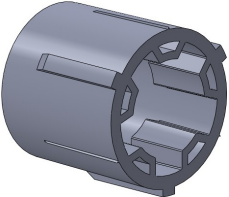
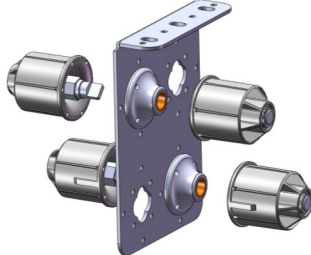
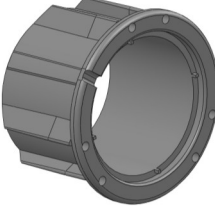
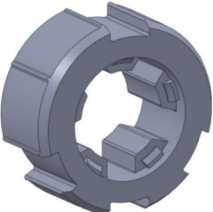
 <p>DSMB - Zinc Double Shade Motor Bracket</p>	 <p>DSIB - Zinc Double Shade Idler Bracket</p>	 <p>CI2I Collapsible Idler 2 Inch</p>	 <p>238ITD3K 2 3/8 Inch Tube Drive 3 Key</p>
 <p>TA2. 5I Tube Adapter 2.5 Inch</p>	 <p>TD2. 5I Tube Drive 2.5 Inch</p>		

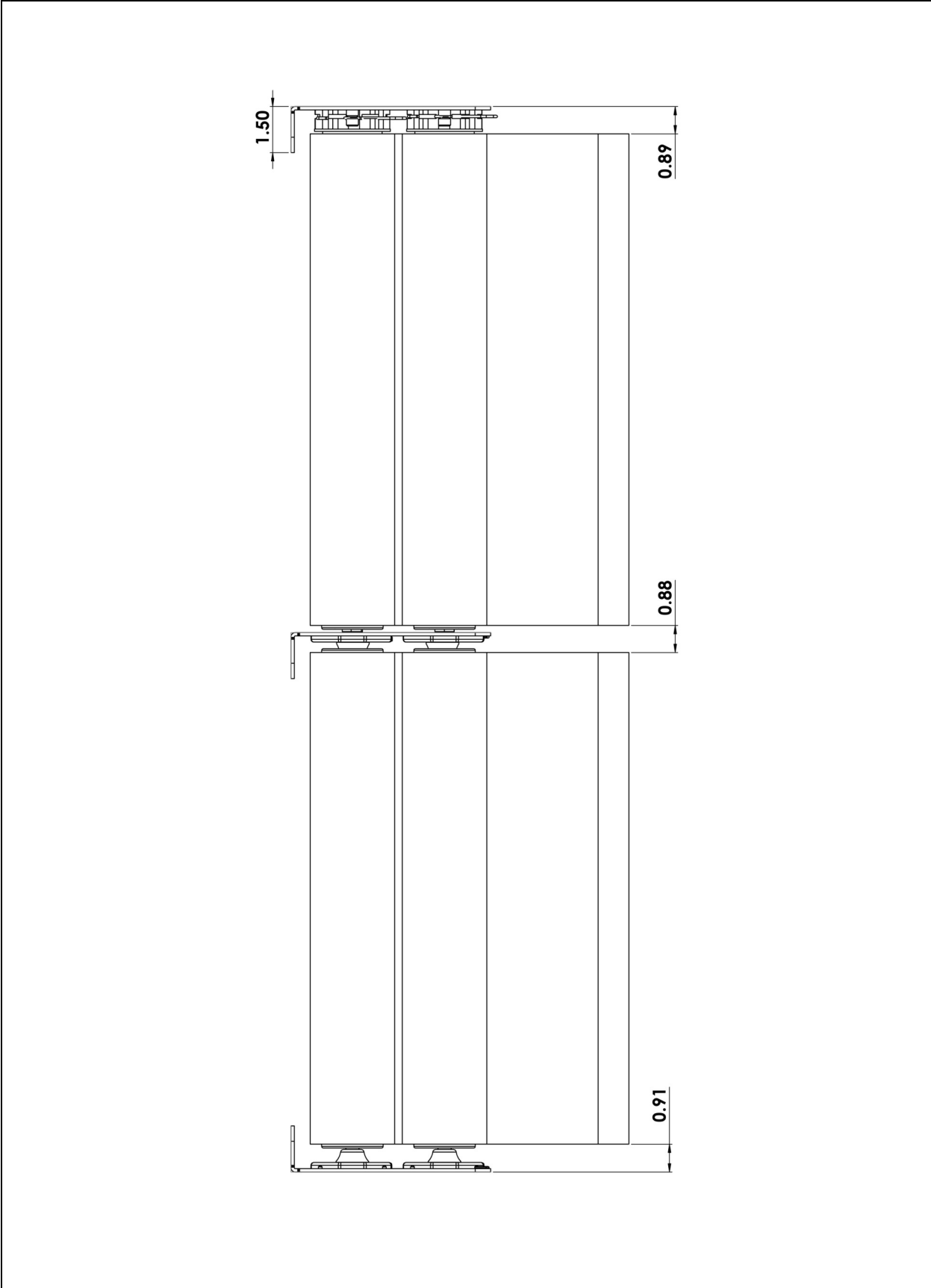






#	Part #	Description	Other
1	DSMB	Double Shade Motor Bracket	
2	DSIB	Double Shade Idler Bracket	
3	CI2I	Collapsible Idler 2 Inch	
4		Somfy 500 Motor	
5		2" Tube	
6	DSCBA	Double Shade Coupler Bracket Assembly	

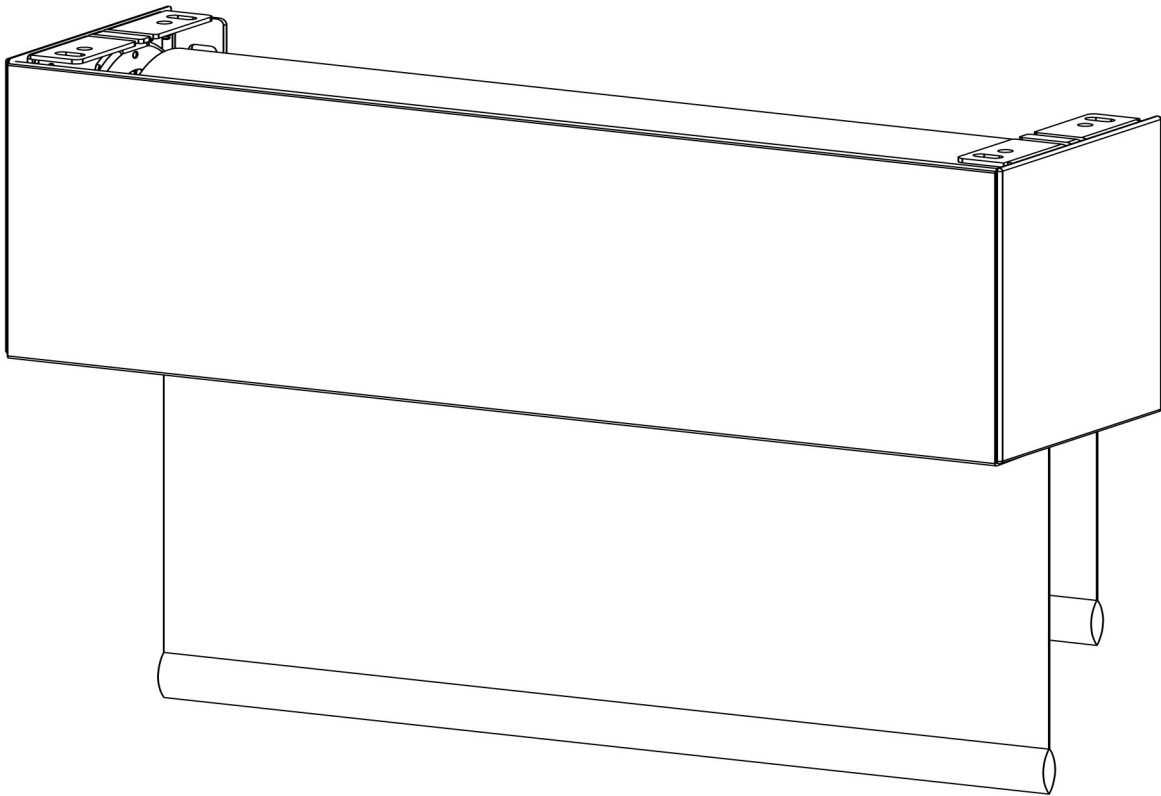
 <p>DSMB - Zinc Double Shade Motor Bracket</p>	 <p>DSIB - Zinc Double Shade Idler Bracket</p>	 <p>CI2I Collapsible Idler 2 Inch</p>	 <p>238ITD3K 2 3/8 Inch Tube Drive 3 Key</p>
 <p>DSCBA - Zinc Double Shade Coupler Bracket Assembly</p>		 <p>TA2 .5I Tube Adapter 2.5 Inch</p>	 <p>TD2 .5I Tube Drive 2.5 Inch</p>



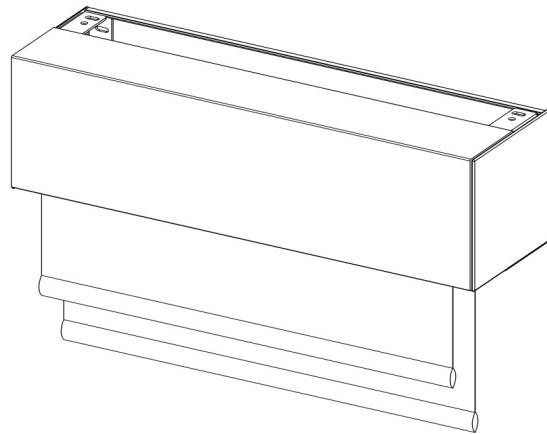


CIERA 6" Double Shade Fascia Motorized Shade System for Somfy LT 50 Motors

With Adjustable Height Idler Bracket

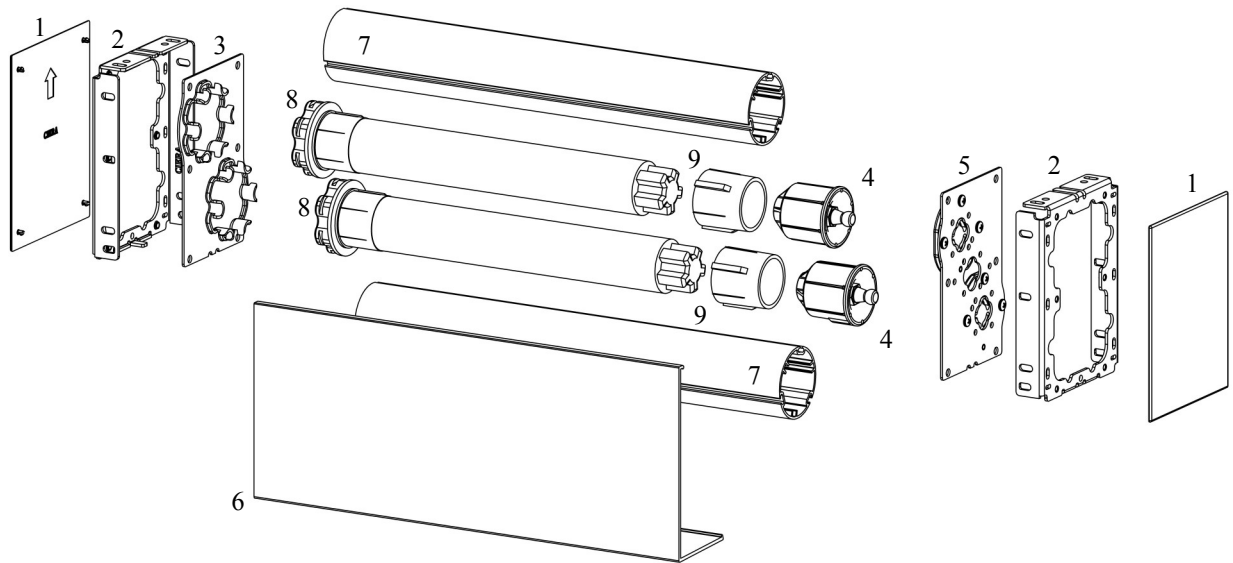


All 6" Fascia Brackets can be used for reversed roll shades



CIERA 6" Double Shade Fascia Motorized Shade System for Somfy LT 50 Motors


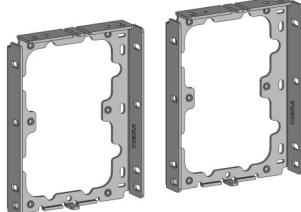
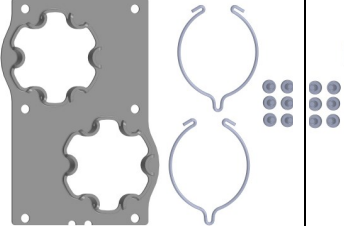
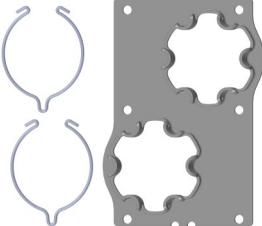
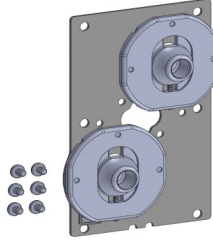
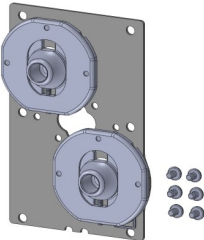
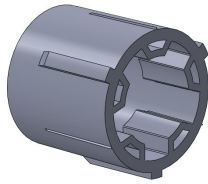
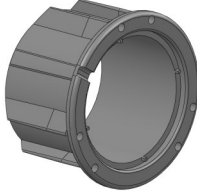
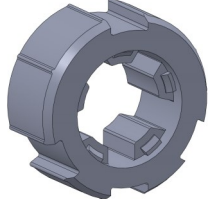
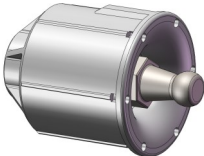
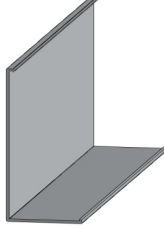
With Adjustable Height Idler Bracket

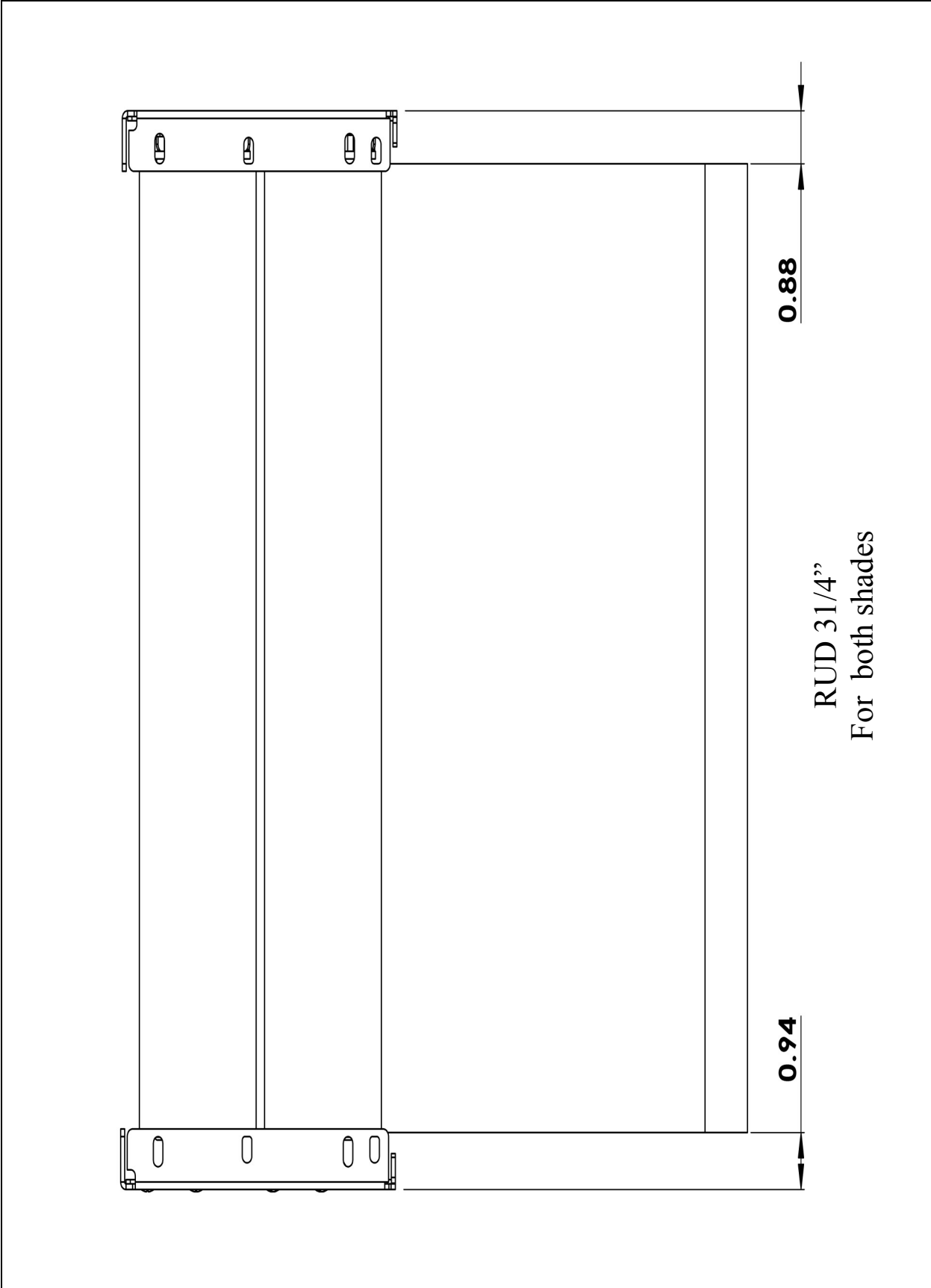


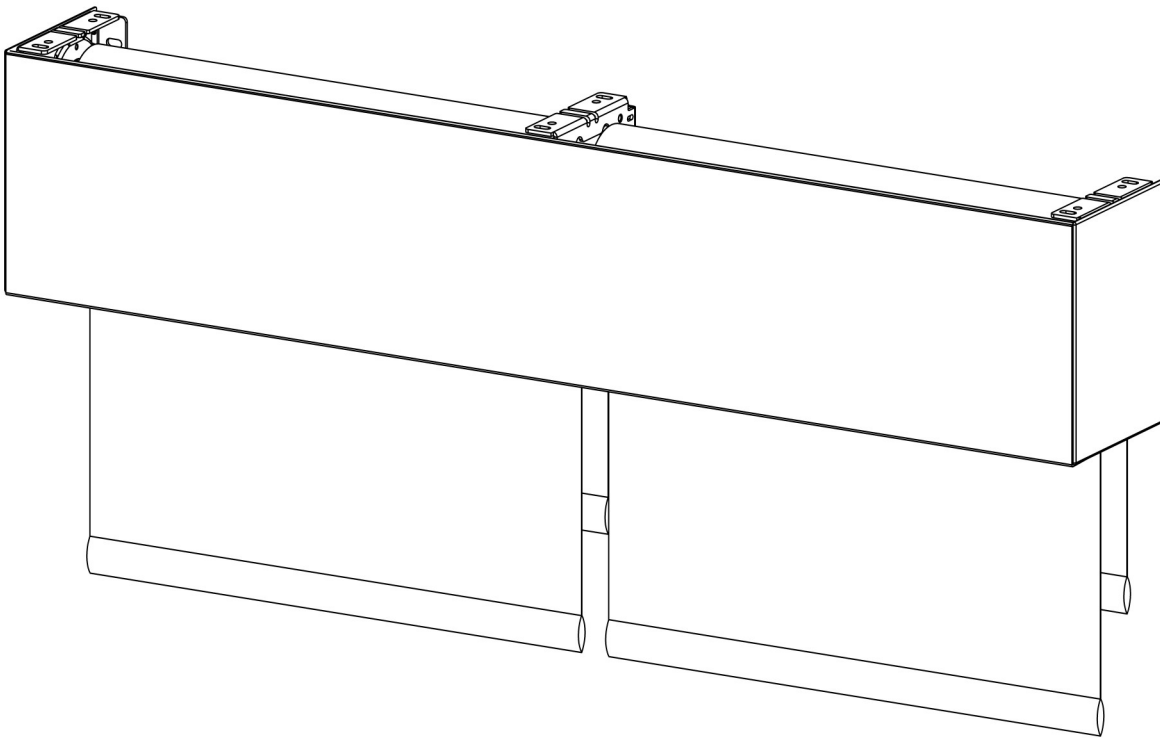
#	Part #	Description	Other
1	DSF EC6	Double Shade Fascia End Cap 6"	
2	DSF B6	Double Shade Fascia Bracket 6"	
3	DSF TMPBR6	Double Shade Fascia Two Motors Plate Bottom Right 6"	
4	CI2I	Collapsible Idler 2 Inch	
5	DSF TAIPBL6	Double Shade Fascia Two Adjustable Idler Plate Bottom Left 6"	
6	DSF6	Double Shade Fascia 6"	
7		2" Tube	
8		Somfy 500 Motor	
9	238ITD3K	2 3/8 Inch Tube Drive 3 Key	

CIERA 6" Double Shade Fascia Motorized Shade System for Somfy LT 50 Motors

With Adjustable Height Idler Bracket

 <p>DSF EC6 - White DSF EC6 - Black DSF EC6 - Grey DSF EC6 - Bronze</p> <p>Double Shade Fascia End Cap 6"</p>	 <p>DSF B6 - White DSF B6 - Black DSF B6 - Grey DSF B6 - Bronze</p> <p>Double Shade Fascia Bracket 6"</p>	 <p>DSF TMPBR6 White /Zinc</p> <p>Double Shade Fascia Two Motors Plate Bottom Right 6"</p>	 <p>DSF TMPBL6 White /Zinc</p> <p>Double Shade Fascia Two Motors Plate Bottom Left 6"</p>
 <p>DSF TAIPBL6 White / Zinc</p> <p>Double Shade Fascia Two Adjustable Idler Plate Bottom Left 6"</p>	 <p>DSF TAIPBR6 White / Zinc</p> <p>Double Shade Fascia Two Adjustable Idler Plate Bottom Right 6"</p>	 <p>238ITD3K</p> <p>2 3/8 Inch Tube Drive 3 Key</p>	 <p>TA2. 5I</p> <p>Tube Adapter 2.5 Inch</p>
 <p>TD2. 5I</p> <p>Tube Drive 2.5 Inch</p>	 <p>CI2I</p> <p>Collapsible Idler 2 Inch</p>	 <p>DSF6 - White DSF6 - Black DSF6 - Grey DSF6 - Bronze</p> <p>Double Shade Fascia 6"</p>	

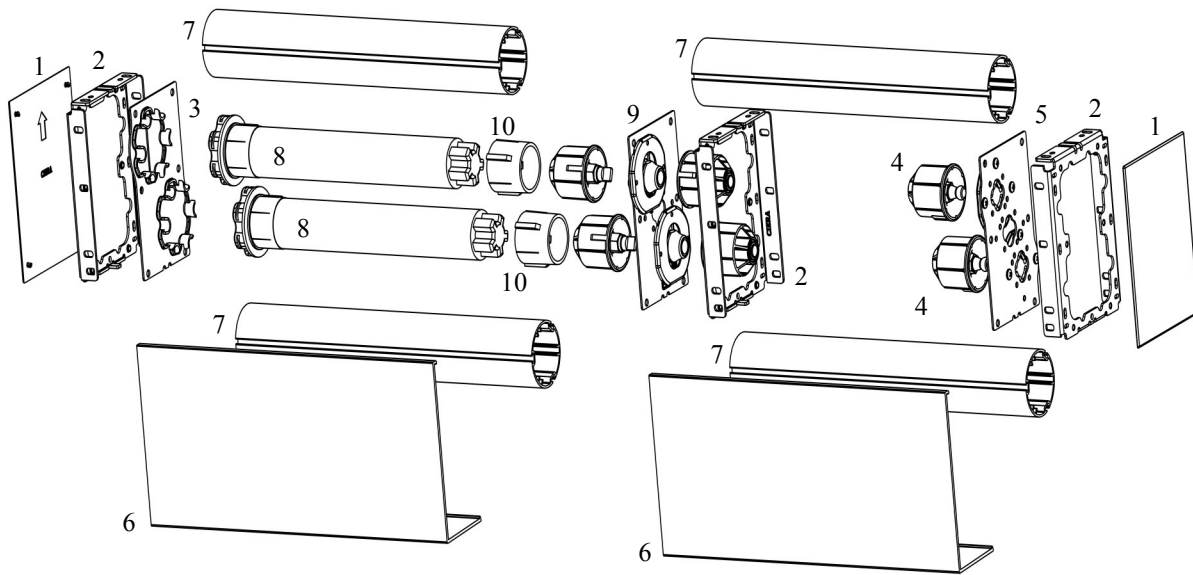




**All 6" Fascia Brackets can be
used for reversed roll shades**

CIERA 6" Double Shade Fascia Motorized Shade System for Somfy LT 50 Motors

Coupled Shade With Adjustable Height Idler and Coupler Bracket


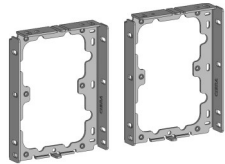
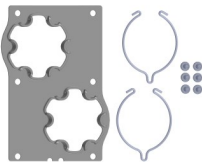
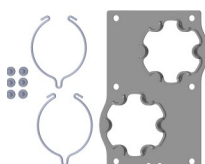
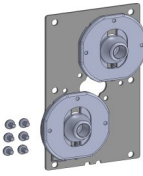
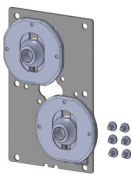
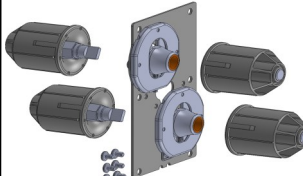
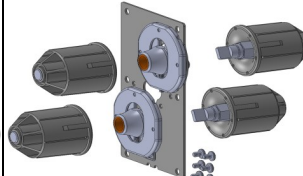
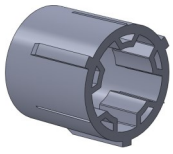
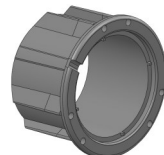
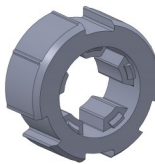
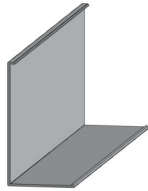



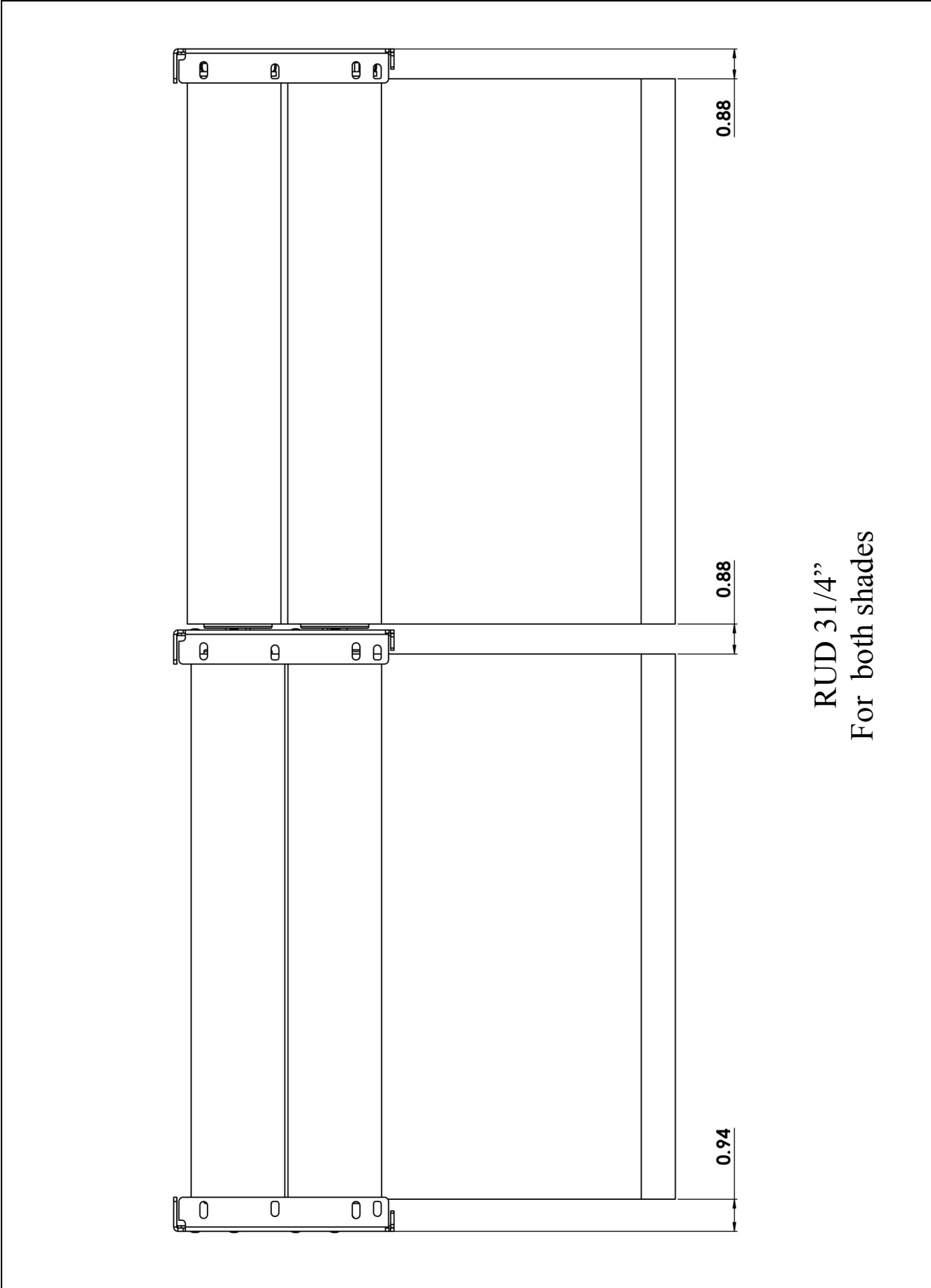
#	Part #	Description	Other
1	DSF EC6	Double Shade Fascia End Cap 6"	
2	DSF B6	Double Shade Fascia Bracket 6"	
3	DSF TMPBR6	Double Shade Fascia Two Motors Plate Bottom Right 6"	
4	CI2I	Collapsible Idler 2 Inch	
5	DSF TAIPBL6	Double Shade Fascia Two Adjustable Idlers Plate Bottom Left 6"	
6	DSF6	Double Shade Fascia 6"	
7		2" Tube	
8		Somfy 500 Motor	
9	DSF DACPTL6	Double Shade Fascia Double Adjustable Coupler Plate Top Left 6"	
10	238ITD3K	2 3/8 Inch Tube Drive 3 Key	



CIERA 6" Double Shade Fascia Motorized Shade System for Somfy LT 50 Motors

With Adjustable Height Idler Bracket

 <p>DSF EC6 - White DSF EC6 - Black DSF EC6 - Grey DSF EC6 - Bronze</p> <p>Double Shade Fascia End Cap 6"</p>	 <p>DSF B6 - White DSF B6 - Black DSF B6 - Grey DSF B6 - Bronze</p> <p>Double Shade Fascia Bracket 6"</p>	 <p>DSF TMPBR6 White / Zinc</p> <p>Double Shade Fascia Two Motors Plate Bottom Right 6"</p>	 <p>DSF TMPBL6 White / Zinc</p> <p>Double Shade Fascia Two Motors Plate Bottom Left 6"</p>
 <p>DSF TAIPBL6 White /Zinc</p> <p>Double Shade Fascia Two Adjustable Idlers Plate Bottom Left 6"</p>	 <p>DSF TAIPBR6 White /Zinc</p> <p>Double Shade Fascia Two Adjustable Idlers Plate Bottom Right 6"</p>	 <p>DSF DACPBR6 White / Zinc</p> <p>Double Shade Fascia Double Adjustable Couplers Plate Bottom Right 6"</p>	 <p>DSF DACPBL6 White / Zinc</p> <p>Double Shade Fascia Double Adjustable Couplers Plate Bottom Left 6"</p>
 <p>238ITD3K</p> <p>2 3/8 Inch Tube Drive 3Key</p>	 <p>TA2. 5I</p> <p>Tube Adapter 2.5 Inch</p>	 <p>TD2. 5I</p> <p>Tube Drive 2.5 Inch</p>	 <p>DSF6 - White DSF6 - Black DSF6 - Grey DSF6 - Bronze</p> <p>Double Shade Fascia 6"</p>
 <p>CI21</p> <p>Collapsible Idler 2 Inch</p>			

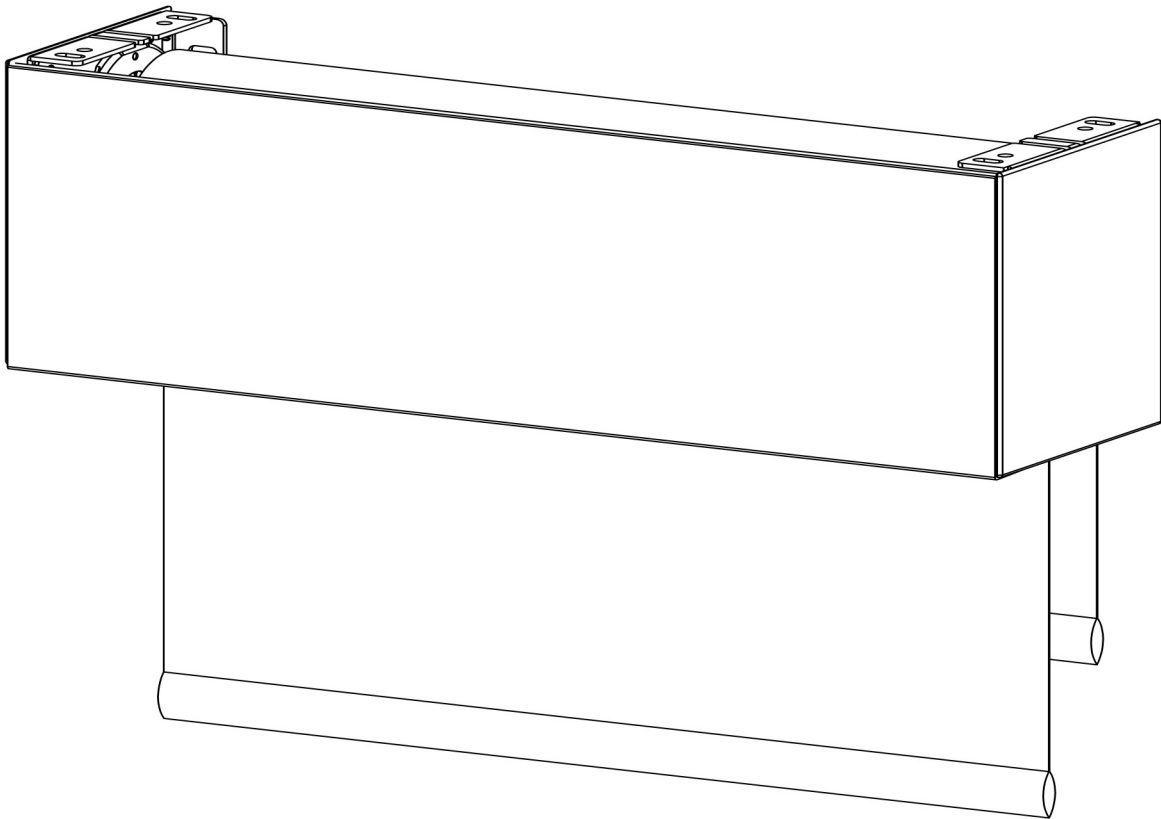


RUD 31/4"
For both shades

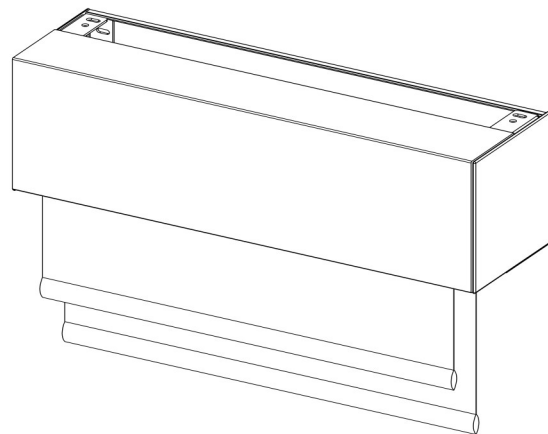


CIERA 6" Double Shade Fascia Motorized Shade System for Somfy LT 50 Motors

With Non Adjustable Height Idler Bracket

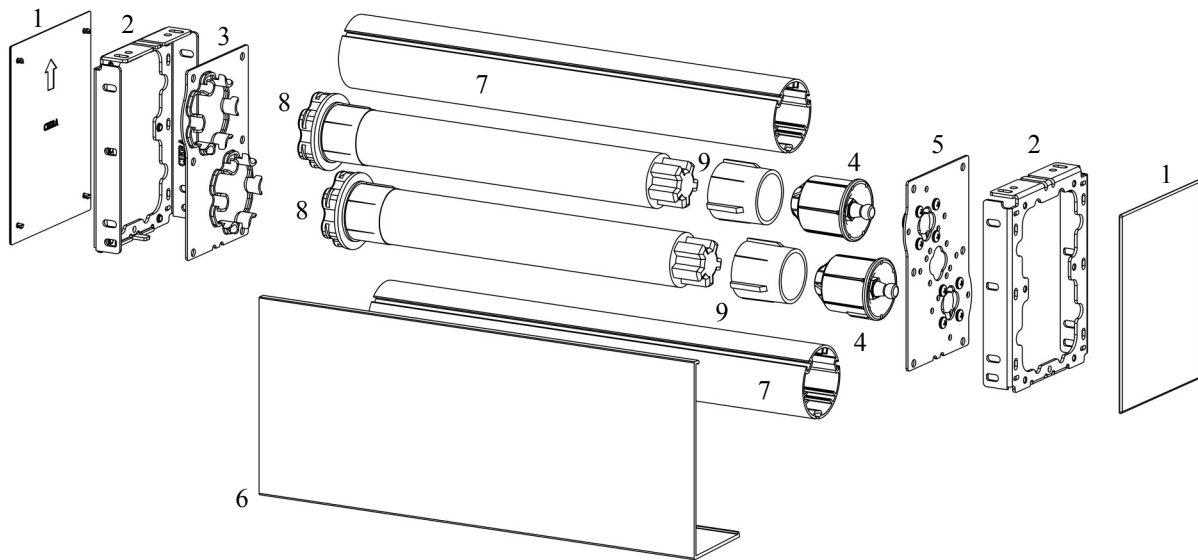


All 6" Fascia Brackets can be used for reversed roll shades



CIERA 6" Double Shade Fascia Motorized Shade System for Somfy LT 50 Motors


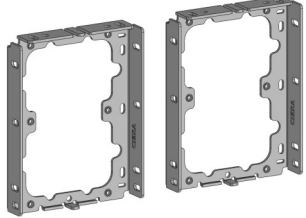
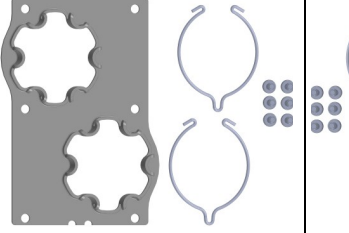
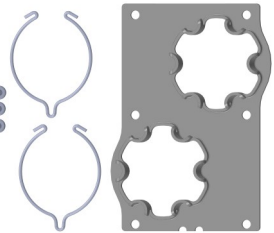
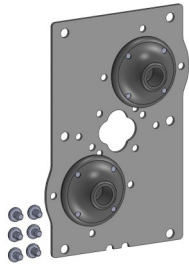

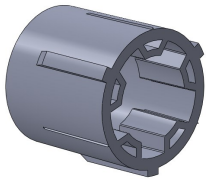

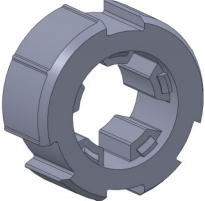
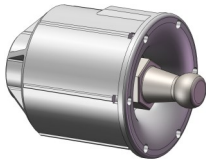
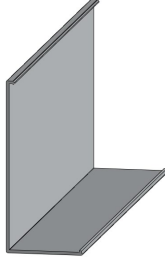
With Non Adjustable Height Idler Bracket

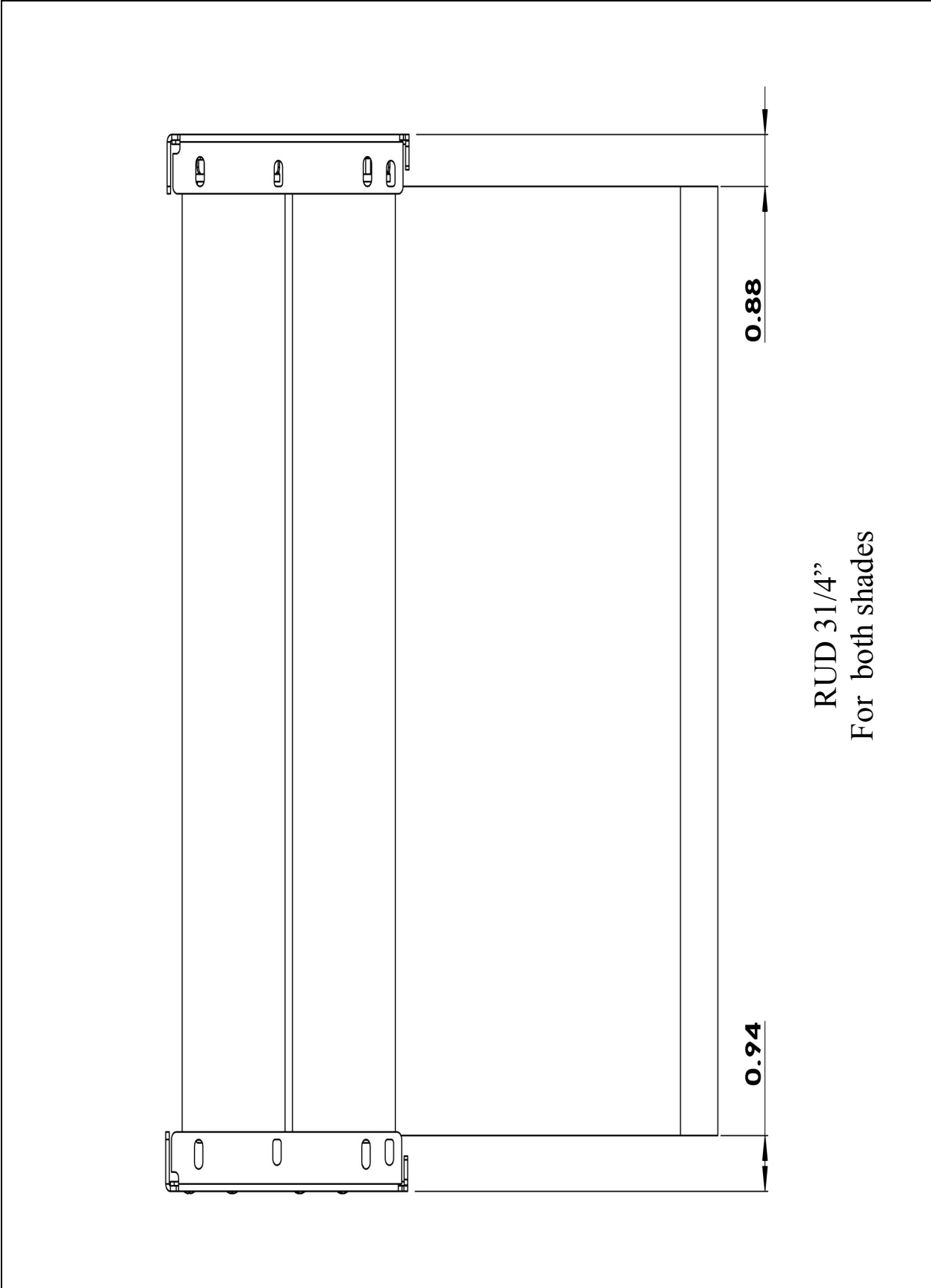


#	Part #	Description	Other
1	DSF EC6	Double Shade Fascia End Cap 6"	
2	DSF B6	Double Shade Fascia Bracket 6"	
3	DSF TMPBR6	Double Shade Fascia Two Motors Plate Bottom Right 6"	
4	CI2I	Collapsible Idler 2 Inch	
5	DSF DIPBL6	Double Shade Fascia Double Idler Plate Bottom Left 6"	
6	DSF6	Double Shade Fascia 6"	
7		2" Tube	
8		Somfy 500 Motor	
9	238ITD3K	2 3/8 Inch Tube Drive 3 Key	

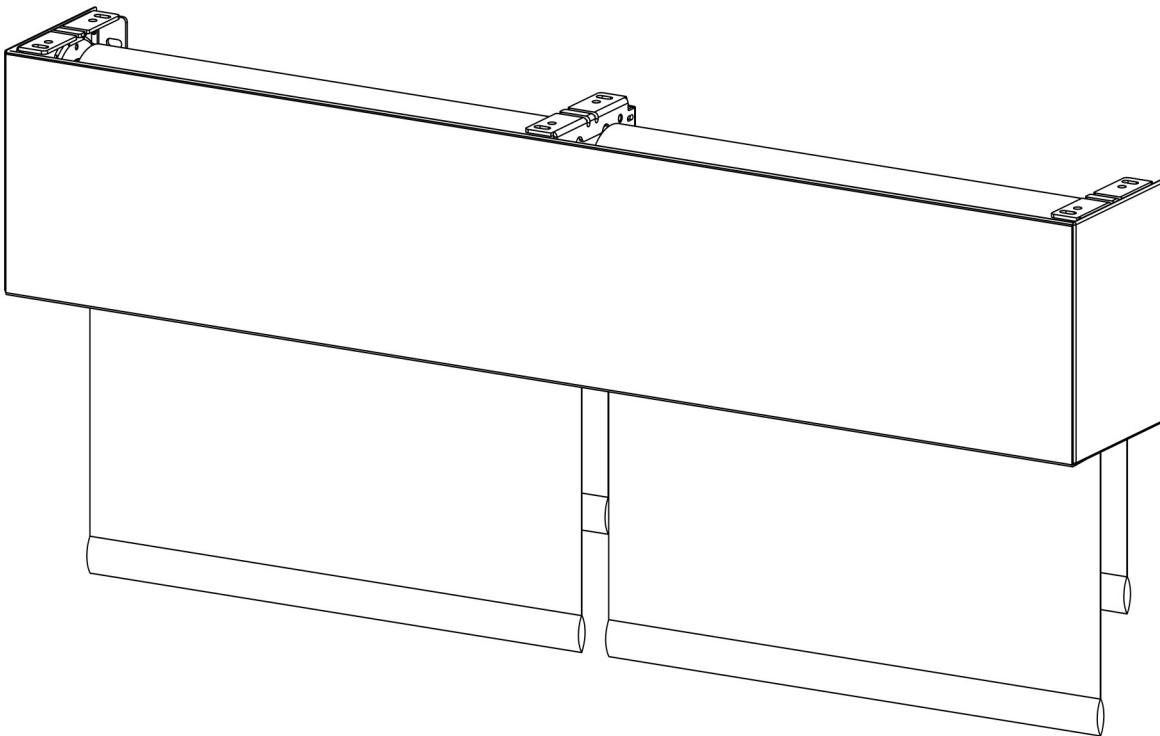
CIERA 6" Double Shade Fascia Motorized Shade System for Somfy LT 50 Motors

With Non Adjustable Height Idler Bracket

 <p>DSF EC6 - White DSF EC6 - Black DSF EC6 - Grey DSF EC6 - Bronze</p> <p>Double Shade Fascia End Cap 6"</p>	 <p>DSF B6 - White DSF B6 - Black DSF B6 - Grey DSF B6 - Bronze</p> <p>Double Shade Fascia Bracket 6"</p>	 <p>DSF TMPBR6 White /Zinc</p> <p>Double Shade Fascia Two Motors Plate Bottom Right 6"</p>	 <p>DSF TMPBL6 White /Zinc</p> <p>Double Shade Fascia Two Motors Plate Bottom Left 6"</p>
 <p>DSF TIPBL6 White / Zinc</p> <p>Double Shade Fascia Two Idler Plate Bottom Left 6"</p>	 <p>DSF TIPBR6 White / Zinc</p> <p>Double Shade Fascia Two Idler Plate Bottom Right 6"</p>	 <p>238ITD3K</p> <p>2 3/8 Inch Tube Drive 3 Key</p>	 <p>TA2. 5I</p> <p>Tube Adapter 2.5 Inch</p>
 <p>TD 2. 5I</p> <p>Tube Drive 2.5 Inch</p>	 <p>CI2I</p> <p>Collapsible Idler 2 Inch</p>		 <p>DSF6 - White DSF6 - Black DSF6 - Grey DSF6 - Bronze</p> <p>Double Shade Fascia 6"</p>



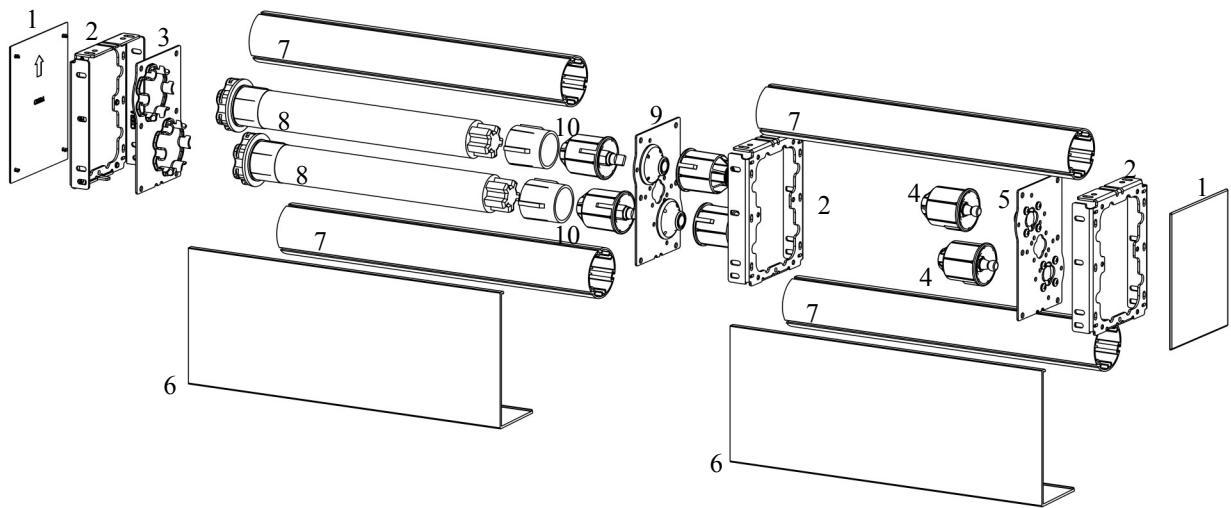
RUD 31/4"
For both shades



**All 6" Fascia Brackets can be
used for reversed roll shades**

CIERA 6" Double Shade Fascia Motorized Shade System for Somfy LT 50 Motors


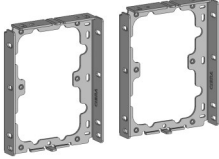
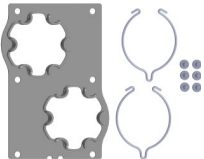
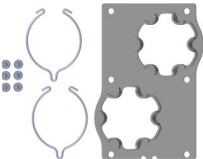
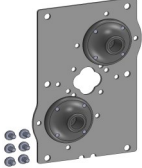

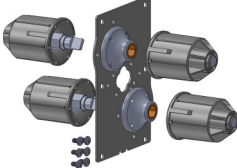
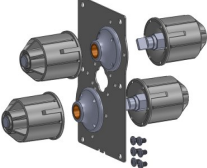
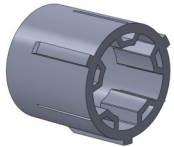
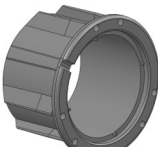
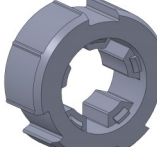
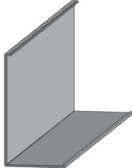
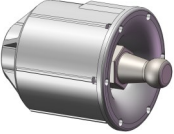
Coupled Shade With Non Adjustable Height Idler and Coupler Bracket

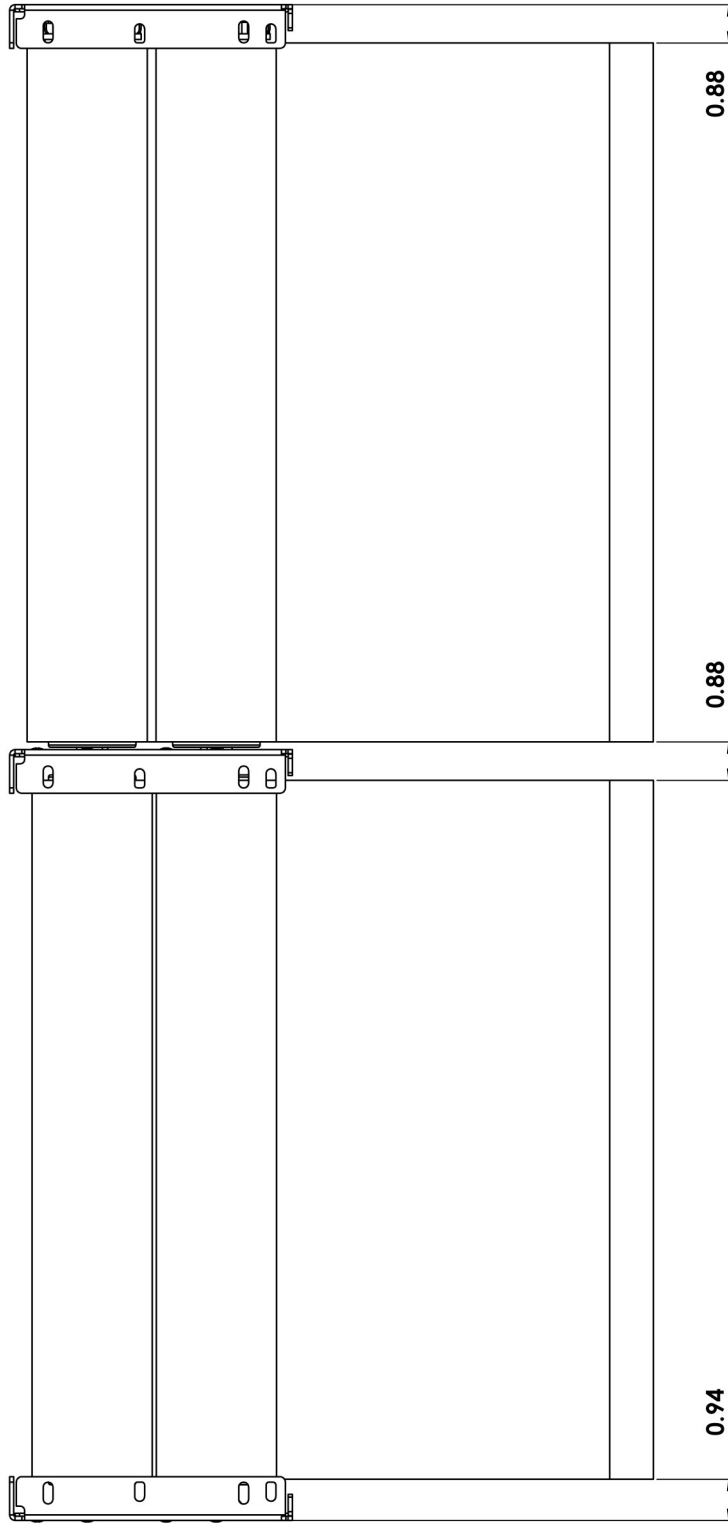


#	Part #	Description	Other
1	DSF EC6	Double Shade Fascia End Cap 6"	
2	DSF B6	Double Shade Fascia Bracket 6"	
3	DSF TMPBR6	Double Shade Fascia Two Motors Plate Bottom Right 6"	
4	CI2I	Collapsible Idler 2 Inch	
5	DSF DIPBL6	Double Shade Fascia Double Idlers Plate Bottom Left 6"	
6	DSF6	Double Shade Fascia 6"	
7		2" Tube	
8		Somfy 500 Motor	
9	DSF DCPTL6	Double Shade Fascia Double Coupler Plate Top Left 6"	
10	238ITD3K	2 3/8 Inch Tube Drive 3 Key	

CIERA 6" Double Shade Fascia Motorized Shade System for Somfy LT 50 Motors

With Non Adjustable Height Idler Bracket

 <p>DSF EC6 - White DSF EC6 - Black DSF EC6 - Grey DSF EC6 - Bronze</p> <p>Double Shade Fascia End Cap 6"</p>	 <p>DSF B6 - White DSF B6 - Black DSF B6 - Grey DSF B6 - Bronze</p> <p>Double Shade Fascia Bracket 6"</p>	 <p>DSF TMPBR6 White / Zinc</p> <p>Double Shade Fascia Two Motors Plate Bottom Right 6"</p>	 <p>DSF TMPBL6 White / Zinc</p> <p>Double Shade Fascia Two Motors Plate Bottom Left 6"</p>
 <p>DSF DIPBL6 White / Zinc</p> <p>Double Shade Fascia Double Idlers Plate Bottom Left 6"</p>	 <p>DSF DIPBR6 White / Zinc</p> <p>Double Shade Fascia Double Idlers Plate Bottom Right 6"</p>	 <p>DSF DACPBR6 White / Zinc</p> <p>Double Shade Fascia Double Adjustable Couplers Plate Bottom Right 6"</p>	 <p>DSF DACPBL6 White / Zinc</p> <p>Double Shade Fascia Double Adjustable Couplers Plate Bottom Left 6"</p>
 <p>238ITD3K</p> <p>2 3/8 Inch Tube Drive 3 Key</p>	 <p>TA2. 5I</p> <p>Tube Adapter 2.5 Inch</p>	 <p>TD2. 5I</p> <p>Tube Drive 2.5 Inch</p>	 <p>DSF6 - White DSF6 - Black DSF6 - Grey DSF6 - Bronze</p> <p>Double Shade Fascia 6"</p>
 <p>CI2I</p> <p>Collapsible Idler 2 Inch</p>			

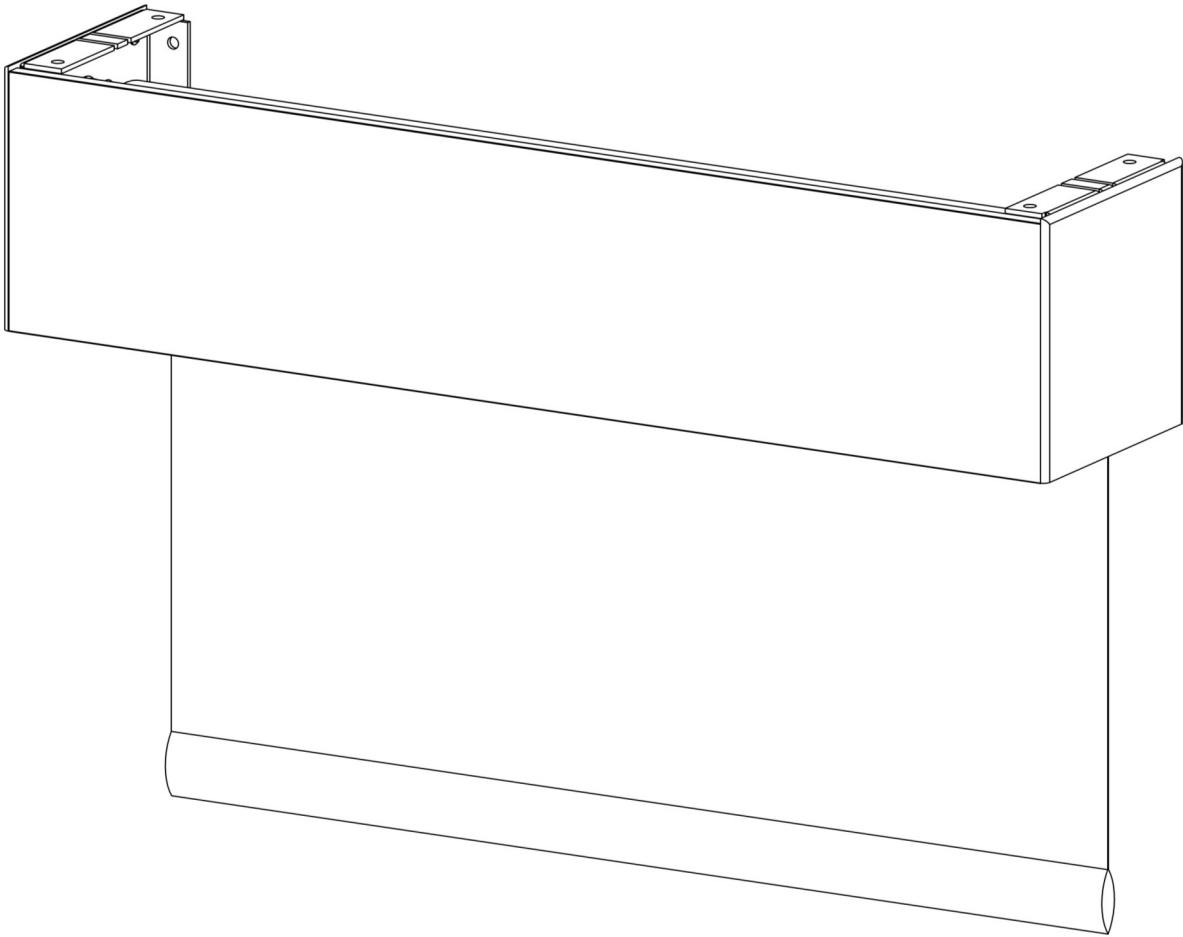


RUD 31/4"
For both shades

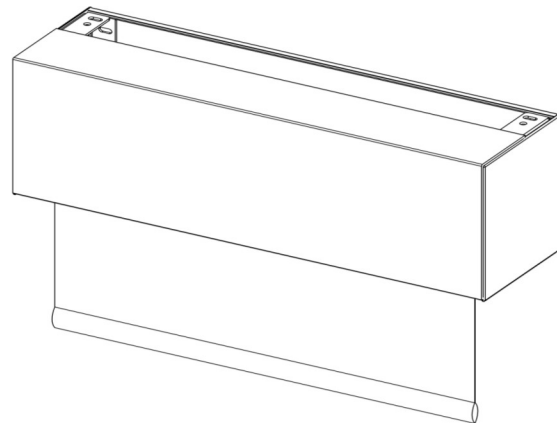


CICRA 6" Double Shade Fascia Single Motorized Shade System for Somfy LT 50 Motors

With Adjustable Height Idler Bracket

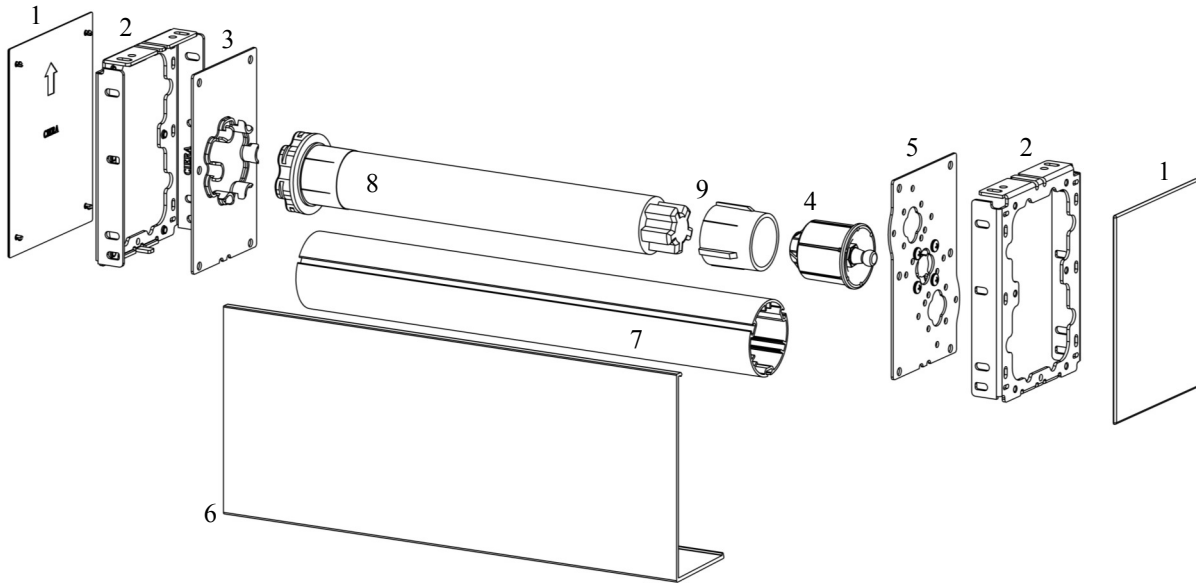


**All 6" Fascia hardware
can be used for reversed
roll shades**



CIERA 6" Double Shade Fascia Single Motorized Shade System for Somfy LT 50 Motors


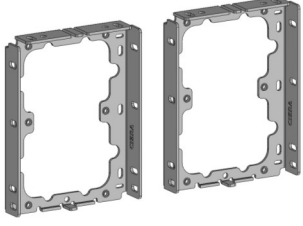
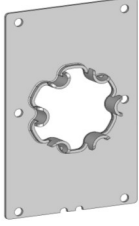
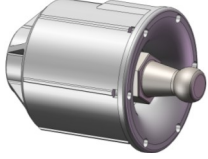
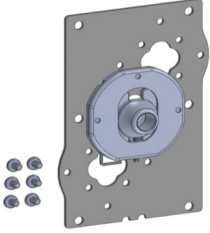
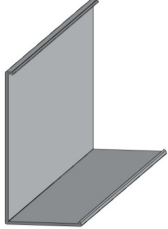
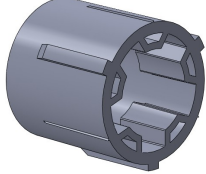
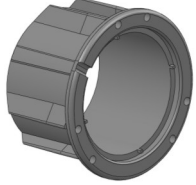
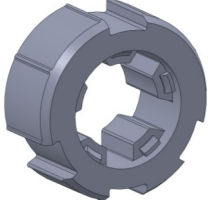
With Adjustable Height Idler Bracket

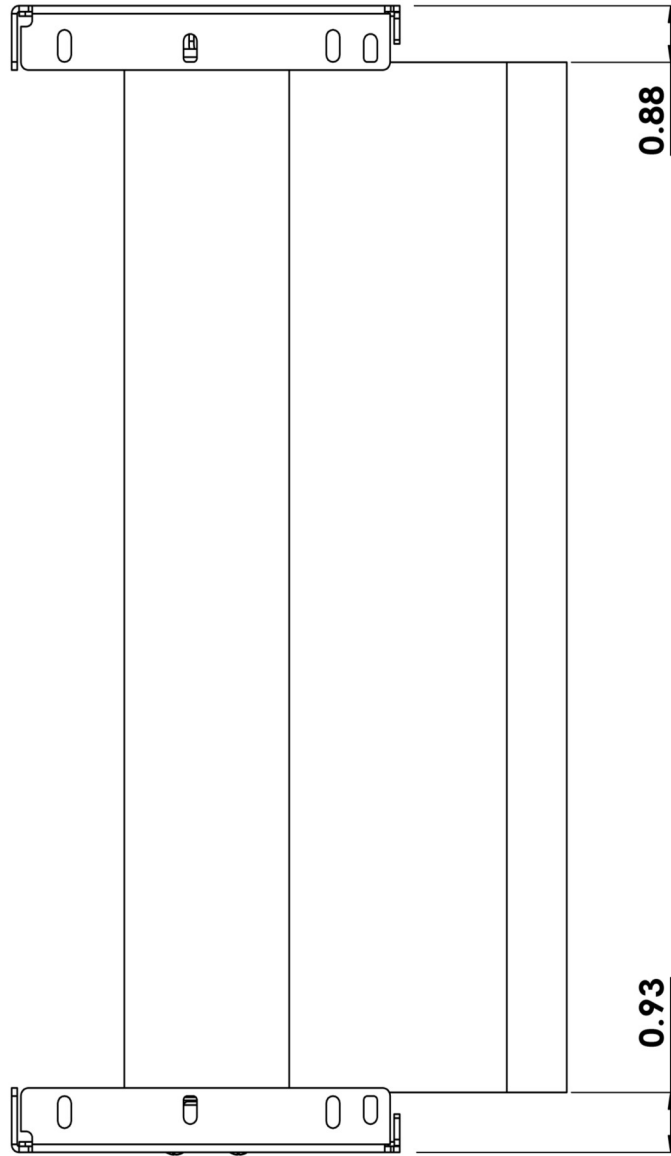


#	Part #	Description	Other
1	DSF EC6	Double Shade Fascia End Cap 6"	
2	DSF B6	Double Shade Fascia Bracket 6"	
3	DSF SMP6	Double Shade Fascia Single Motor Plate 6"	
4	CI2I	Collapsible Idler 2 Inch	
5	DSF SAIP6	Double Shade Fascia Single Adjustable Idler Plate 6"	
6	DSF6	Double Shade Fascia 6"	
7		2" Tube	
8		Somfy 500 Motor	
9	238ITD3K	2 3/8 Inch Tube Drive 3 Key	

CIERA 6" Double Shade Fascia Single Motorized Shade System for Somfy LT 50 Motors

With Adjustable Height Idler Bracket

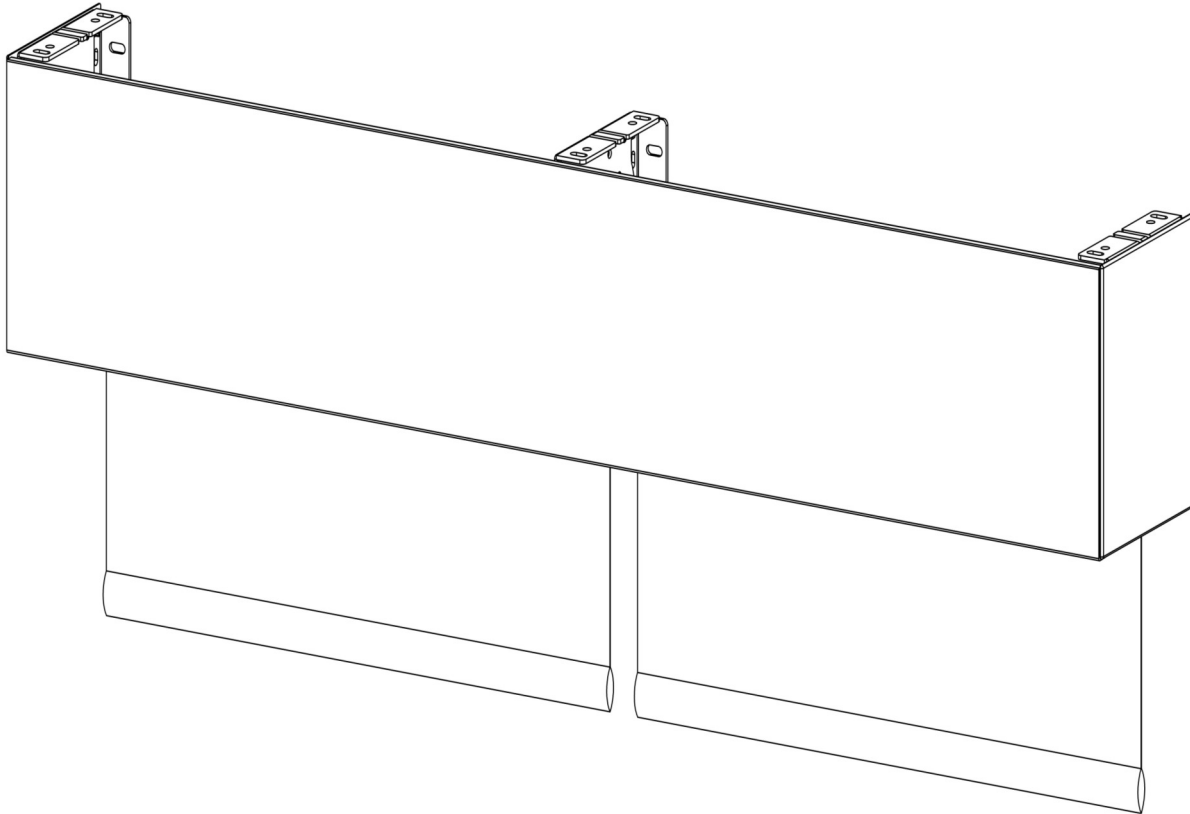
 <p>DSF EC6 - White DSF EC6 - Black DSF EC6 - Grey DSF EC6 - Bronze</p> <p>Double Shade Fascia End Cap 6"</p>	 <p>DSF B6 - White DSF B6 - Black DSF B6 - Grey DSF B6 - Bronze</p> <p>Double Shade Fascia Bracket 6"</p>	 <p>DSF SMP6 - Zinc</p> <p>Double Shade Fascia Single Motors Plate 6"</p>	 <p>CI2I</p> <p>Collapsible Idler 2 Inch</p>
 <p>DSF SAIP6 - Zinc</p> <p>Double Shade Fascia Single Adjustable Idler Plate 6"</p>	 <p>DSF6 - White DSF6 - Black DSF6 - Grey DSF6 - Bronze</p> <p>Double Shade Fascia 6"</p>	 <p>238ITD3K</p> <p>2 3/8 Inch Tube Drive 3 Key</p>	 <p>TA2. 5I</p> <p>Tube Adapter 2.5 Inch</p>
 <p>TD2. 5I</p> <p>Tube Drive 2.5 Inch</p>			



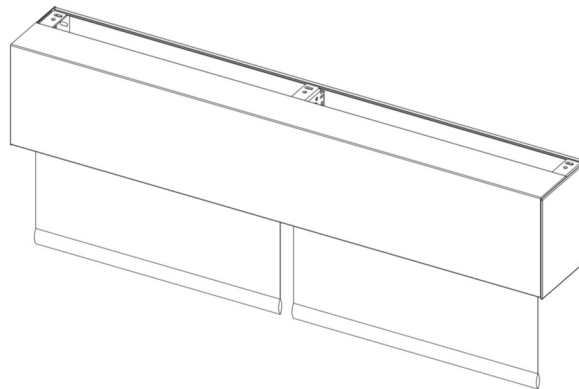


Ciera 6" Double Shade Fascia Single Motorized Shade System for Somfy LT 50 Motors

Coupled Shade With Adjustable Height Idler and Coupler Bracket

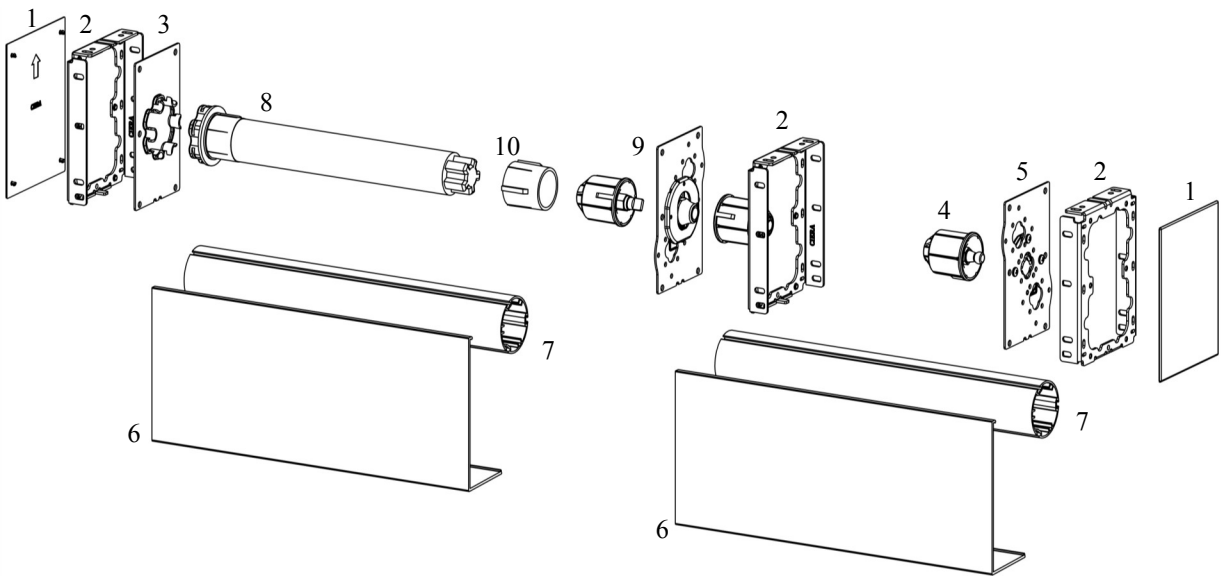


**All 6" Fascia hardware
can be used for reversed
roll shades**



CIERA 6" Double Shade Fascia Single Motorized Shade System for Somfy LT 50 Motors


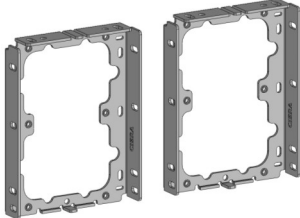
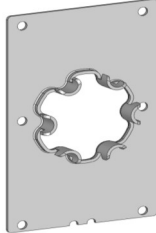
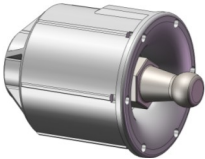
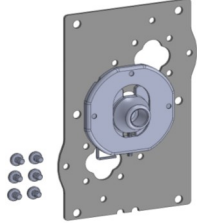
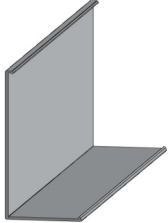
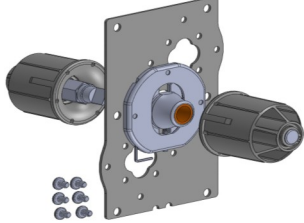
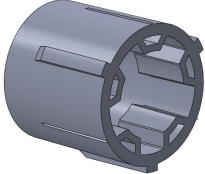
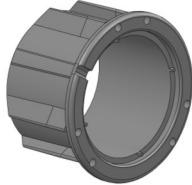
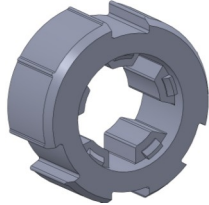
Coupled Shade With Adjustable Height Idler and Coupler Bracket

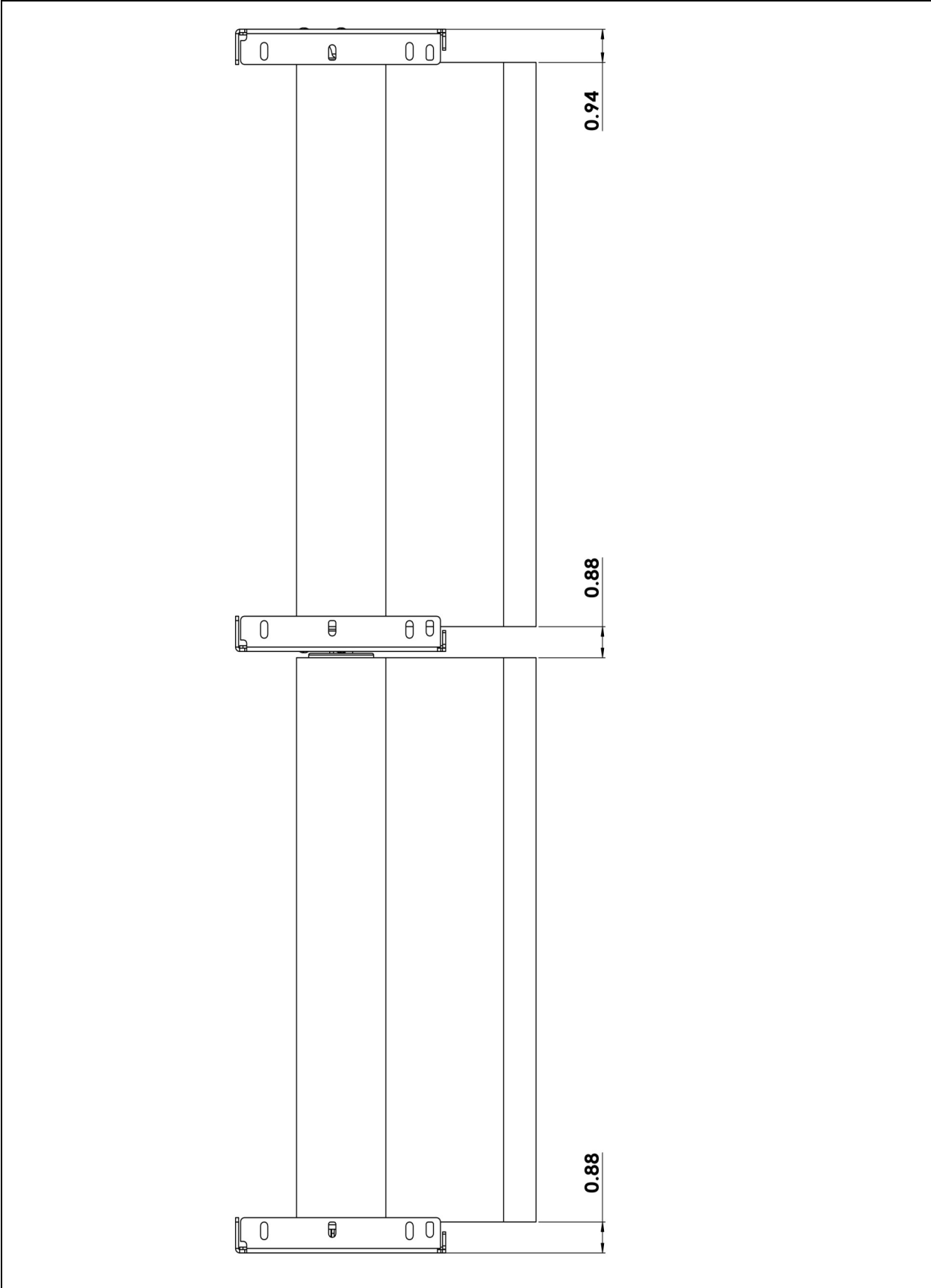


#	Part #	Description	Other
1	DSF EC6	Double Shade Fascia End Cap 6"	
2	DSF B6	Double Shade Fascia Bracket 6"	
3	DSF SMP6	Double Shade Fascia Single Motor Plate 6"	
4	CI2I	Collapsible Idler 2 Inch	
5	DSF SAIP6	Double Shade Fascia Single Adjustable Idler Plate 6"	
6	DSF6	Double Shade Fascia 6"	
7		2" Tube	
8		Somfy 500 Motor	
9	DSF SAC6	Double Shade Fascia Single Adjustable Coupler 6"	
10	238ITD3K	2 3/8 Inch Tube Drive 3 Key	

CIERA 6" Double Shade Fascia Single Motorized Shade System for Somfy LT 50 Motors

Coupled Single Shade With Adjustable Height Idler and Coupler Bracket

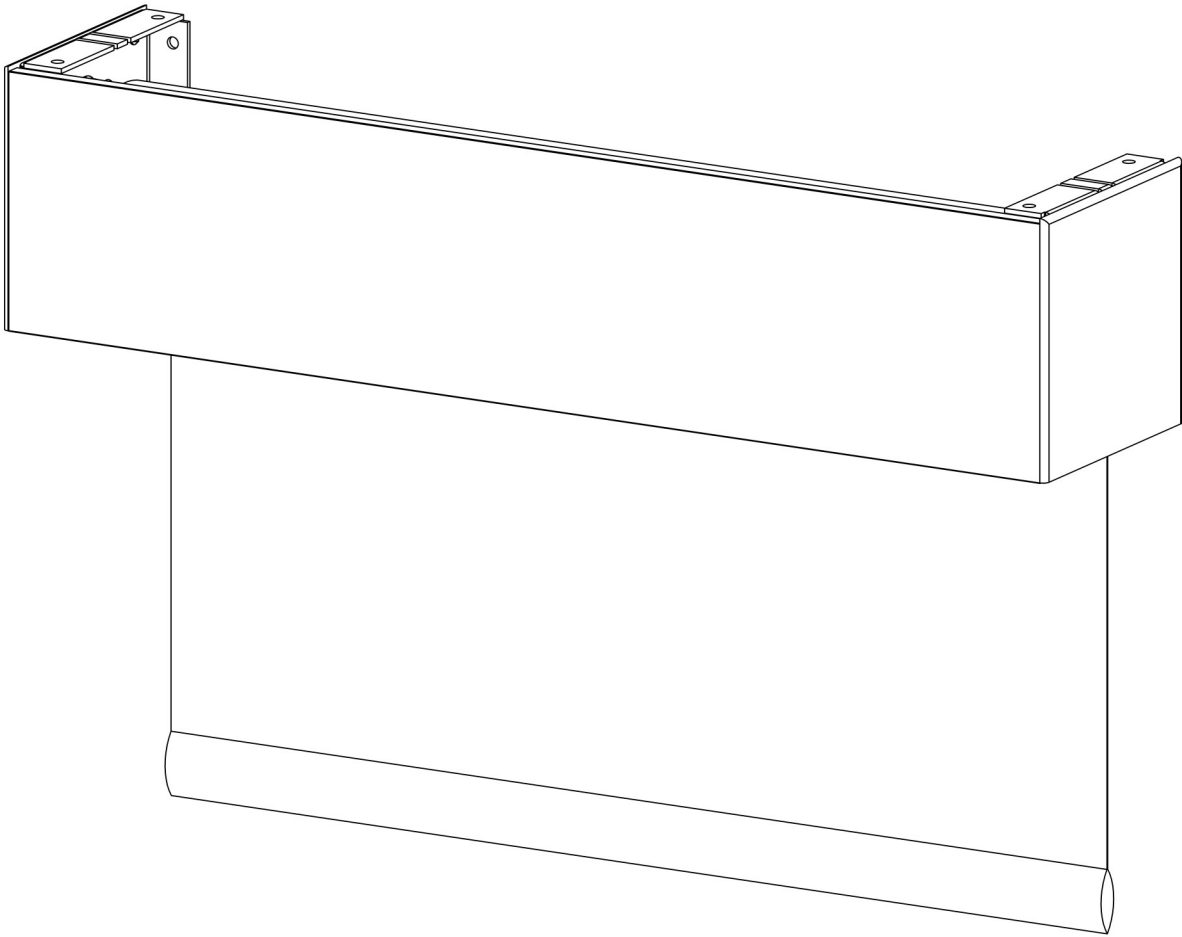
 <p>DSF EC6 - White DSF EC6 - Black DSF EC6 - Grey DSF EC6 - Bronze</p> <p>Double Shade Fascia End Cap 6"</p>	 <p>DSF B6 - White DSF B6 - Black DSF B6 - Grey DSF B6 - Bronze</p> <p>Double Shade Fascia Bracket 6"</p>	 <p>DSF SMP6 - Zinc</p> <p>Double Shade Fascia Single Motors Plate 6"</p>	 <p>CI2I</p> <p>Collapsible Idler 2 Inch</p>
 <p>DSF SAIP6 - Zinc</p> <p>Double Shade Fascia Single Adjustable Idler Plate 6"</p>	 <p>DSF6 - White DSF6 - Black DSF6 - Grey DSF6 - Bronze</p> <p>Double Shade Fascia 6"</p>	 <p>DSF SAC6 - Zinc</p> <p>Double Shade Fascia Single Adjustable Coupler 6"</p>	
 <p>238ITD3K</p> <p>2 3/8 Inch Tube Drive 3 Key</p>	 <p>TA2. 5I</p> <p>Tube Adapter 2.5 Inch</p>	 <p>TD2. 5I</p> <p>Tube Drive 2.5 Inch</p>	



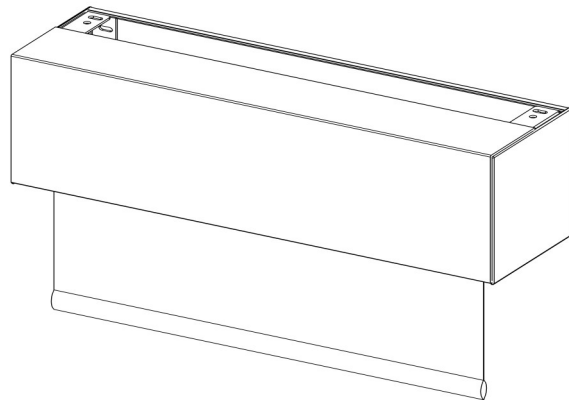


CIERA 6" Double Shade Fascia Single Motorized Shade System for Somfy LT 50 Motors

With Non Adjustable Height Idler Bracket

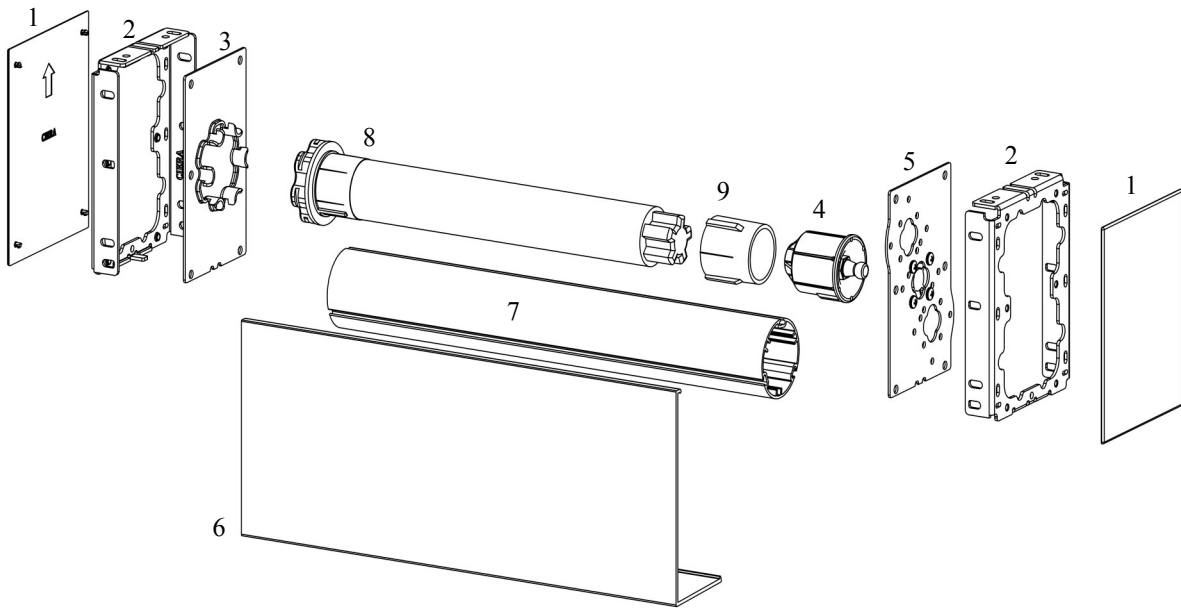


**All 6" Fascia hardware
can be used for reversed
roll shades**



CIERA 6" Double Shade Fascia Single Motorized Shade System for Somfy LT 50 Motors

With Non Adjustable Height Idler Bracket


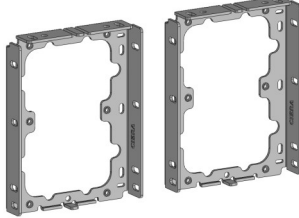
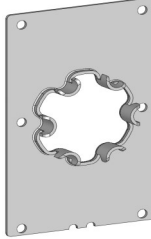
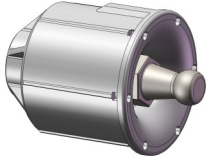

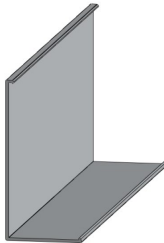
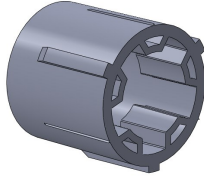
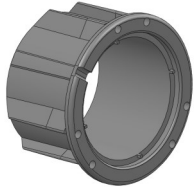
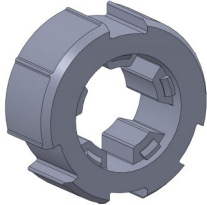


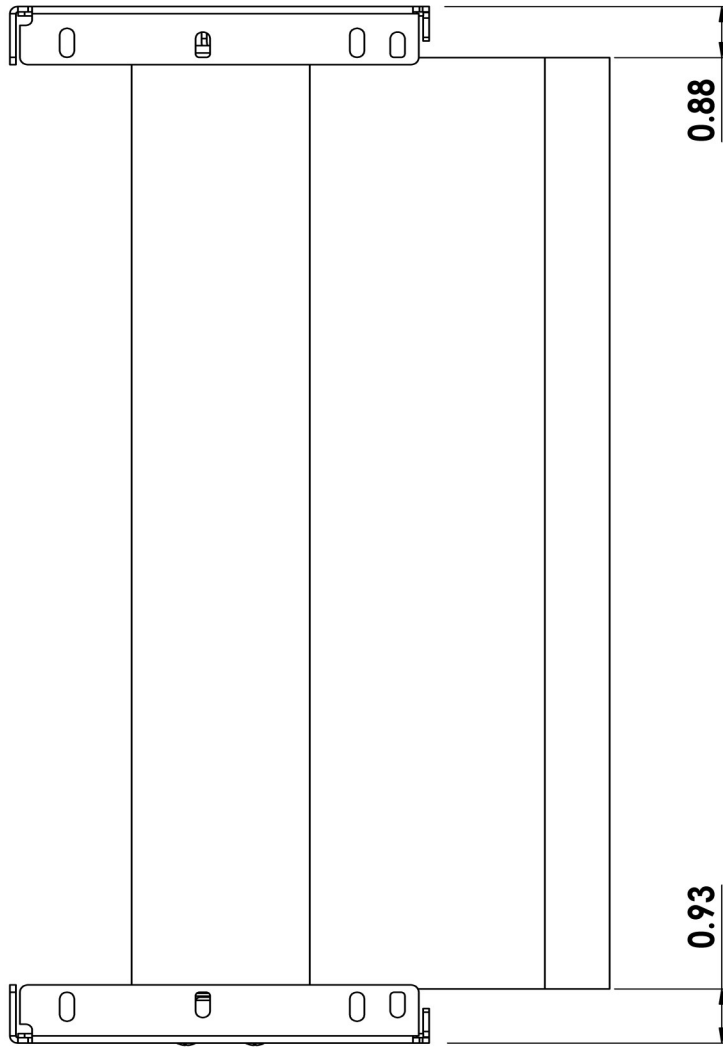
#	Part #	Description	Other
1	DSF EC6	Double Shade Fascia End Cap 6"	
2	DSF B6	Double Shade Fascia Bracket 6"	
3	DSF SMP6	Double Shade Fascia Single Motor Plate 6"	
4	CI2I	Collapsible Idler 2 Inch	
5	DSF SIP6	Double Shade Fascia Single Idler Plate 6"	
6	DSF6	Double Shade Fascia 6"	
7		2" Tube	
8		Somfy 500 Motor	
9	238ITD3K	2 3/8 Inch Tube Drive 3 Key	



CIERA 6" Double Shade Fascia Single Motorized Shade System for Somfy LT 50 Motors

With Non Adjustable Height Idler Bracket

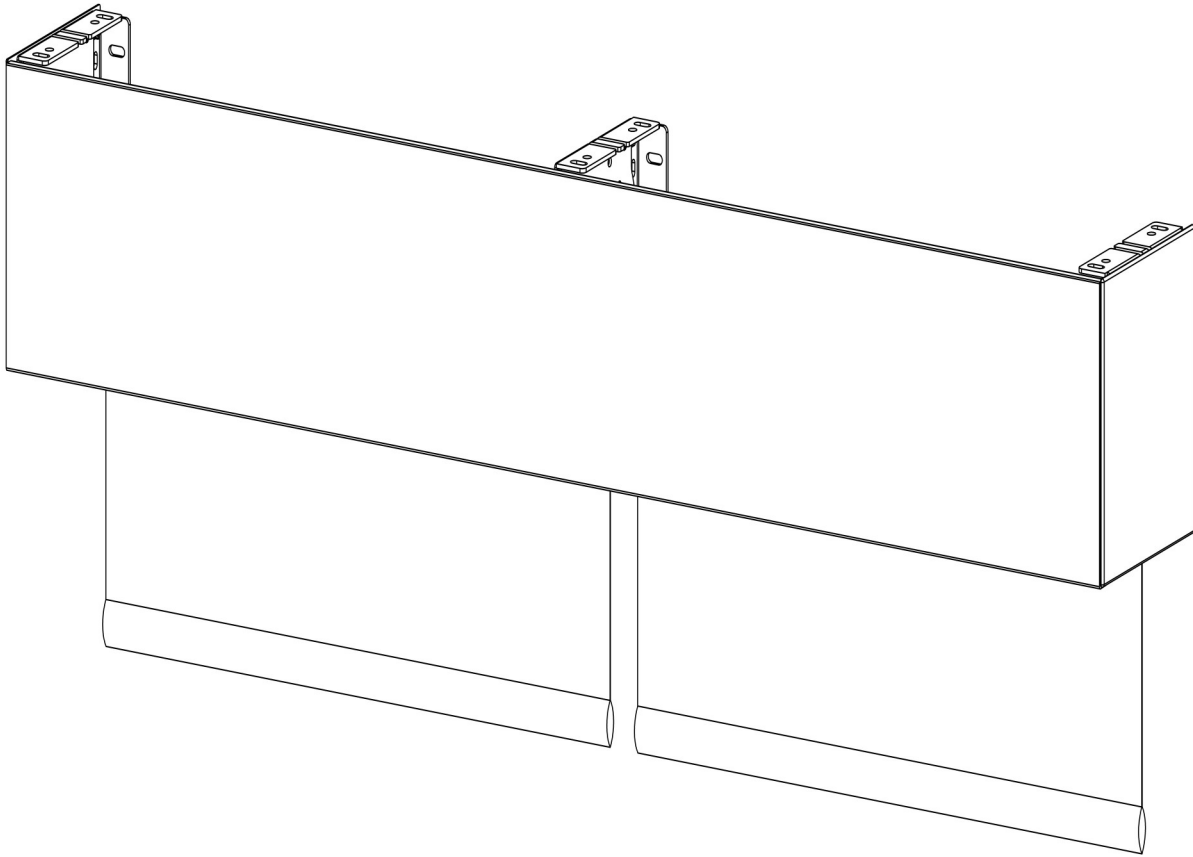
 <p>DSF EC6 - White DSF EC6 - Black DSF EC6 - Grey DSF EC6 - Bronze</p> <p>Double Shade Fascia End Cap 6"</p>	 <p>DSF B6 - White DSF B6 - Black DSF B6 - Grey DSF B6 - Bronze</p> <p>Double Shade Fascia Bracket 6"</p>	 <p>DSF SMP6 White / Zinc</p> <p>Double Shade Fascia Single Motors Plate 6"</p>	 <p>CI2I</p> <p>Collapsible Idler 2 Inch</p>
 <p>DSF SIP6 White / Zinc</p> <p>Double Shade Fascia Single Idler Plate 6"</p>	 <p>DSF6 - White DSF6 - Black DSF6 - Grey DSF6 - Bronze</p> <p>Double Shade Fascia 6"</p>	 <p>238ITD3K</p> <p>2 3/8 Inch Tube Drive 3 Key</p>	 <p>TA2. 5I</p> <p>Tube Adapter 2.5 Inch</p>
 <p>TD2. 5I</p> <p>Tube Drive 2.5 Inch</p>			



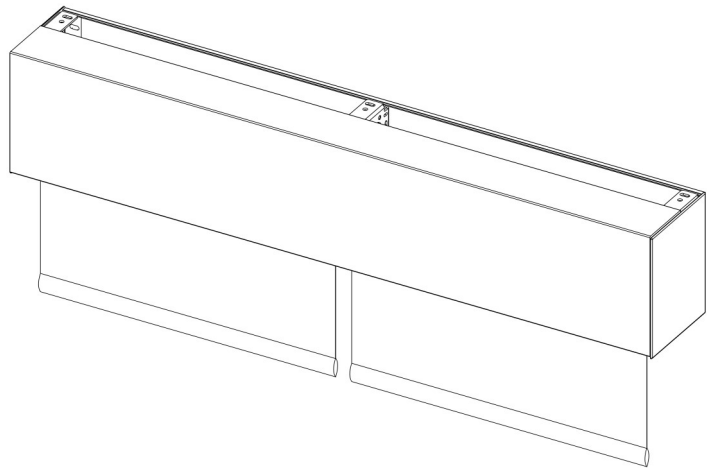


CIERA 6" Double Shade Fascia Single Motorized Shade System for Somfy LT 50 Motors

Coupled Shade With Non Adjustable Height Idler and Coupler Bracket

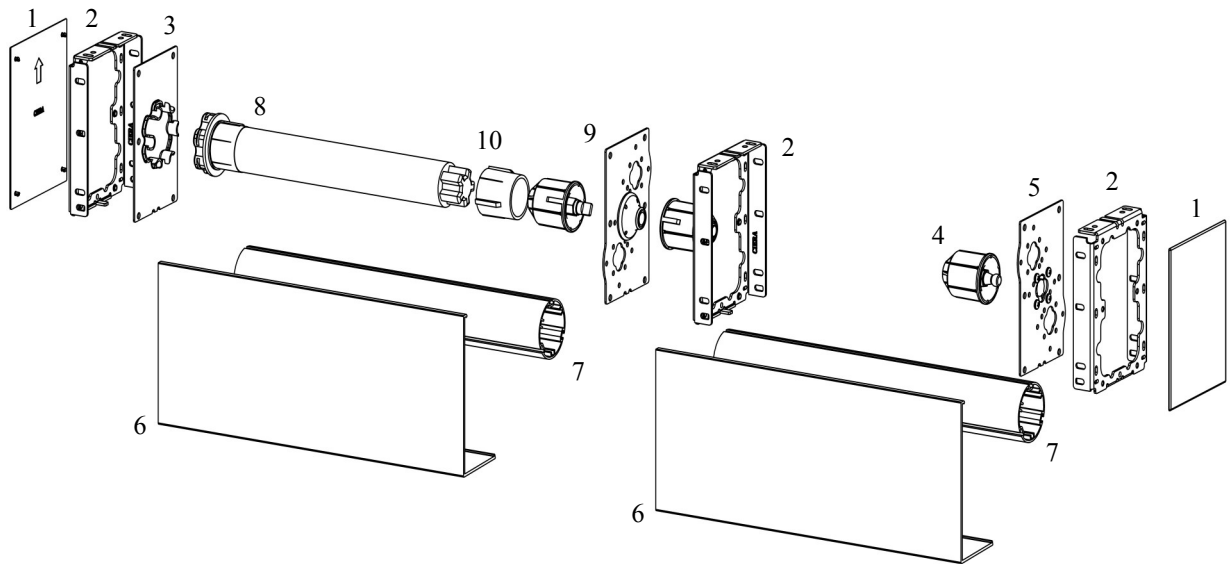


**All 6" Fascia hardware
can be used for reversed
roll shades**



CIERA 6" Double Shade Fascia Single Motorized Shade System for Somfy LT 50 Motors


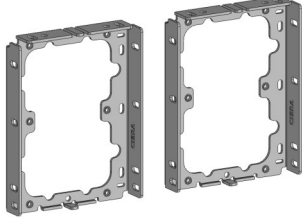
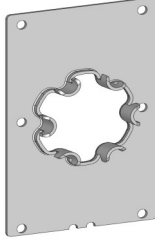
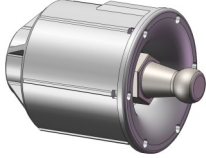

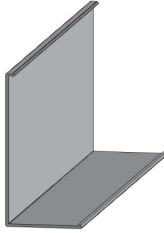
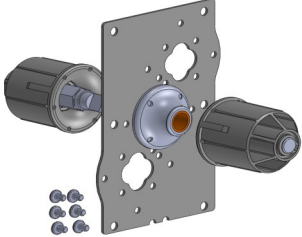
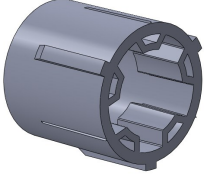
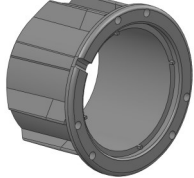
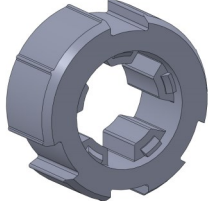
Coupled Shade With Non Adjustable Height Idler and Coupler Bracket



#	Part #	Description	Other
1	DSF EC6	Double Shade Fascia End Cap 6"	
2	DSF B6	Double Shade Fascia Bracket 6"	
3	DSF SMP6	Double Shade Fascia Single Motor Plate 6"	
4	CI2I	Collapsible Idler 2 Inch	
5	DSF SIP6	Double Shade Fascia Single Idler Plate 6"	
6	DSF6	Double Shade Fascia 6"	
7		2" Tube	
8		Somfy 500 Motor	
9	DSF SC6	Double Shade Fascia Single Coupler	
10	238ITD3K	2 3/8 Inch Tube Drive 3 Key	

CIERA 6" Double Shade Fascia Single Motorized Shade System for Somfy LT 50 Motors

Coupled Single Shade With Non Adjustable Height Idler and Coupler Bracket

 <p>DSF EC6 - White DSF EC6 - Black DSF EC6 - Grey DSF EC6 - Bronze</p> <p>Double Shade Fascia End Cap 6"</p>	 <p>DSF B6 - White DSF B6 - Black DSF B6 - Grey DSF B6 - Bronze</p> <p>Double Shade Fascia Bracket 6"</p>	 <p>DSF SMP6 White / Zinc</p> <p>Double Shade Fascia Single Motors Plate 6"</p>	 <p>CI2I</p> <p>Collapsible Idler 2 Inch</p>
 <p>DSF SIP6 White / Zinc</p> <p>Double Shade Fascia Single Idler Plate 6"</p>	 <p>DSF6 - White DSF6 - Black DSF6 - Grey DSF6 - Bronze</p> <p>Double Shade Fascia 6"</p>	 <p>DSF SC6 White / Zinc</p> <p>Double Shade Fascia Single Coupler 6"</p>	
 <p>238ITD3K</p> <p>2 3/8 Inch Tube Drive 3 Key</p>	 <p>TA2. 5I</p> <p>Tube Adapter 2.5 Inch</p>	 <p>TD2. 5I</p> <p>Tube Drive 2.5 Inch</p>	

