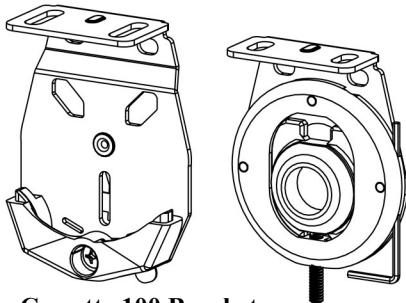


INDUSTRIES INC.

Cassette 100 Brackets

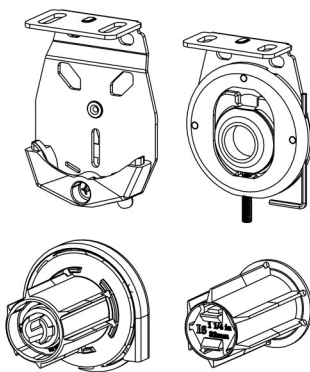
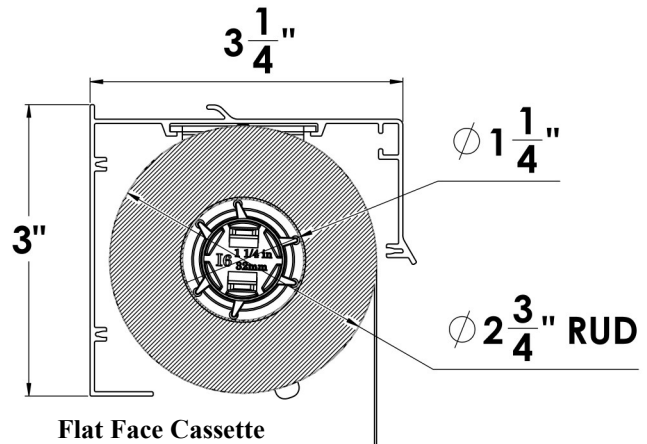
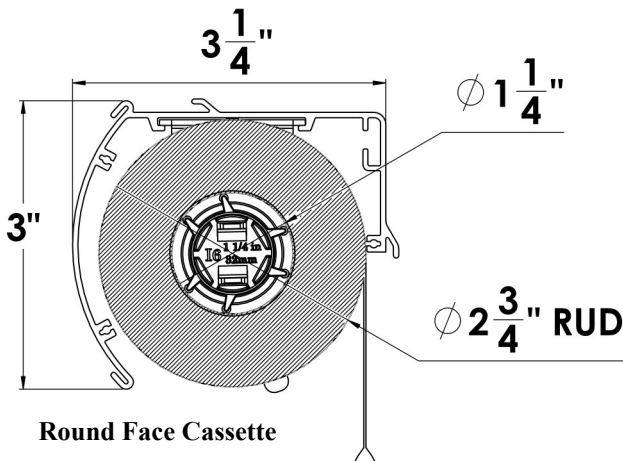
CIERA Industries Inc, a USA based company is introducing a new, cassette 100 brackets for roller shades.



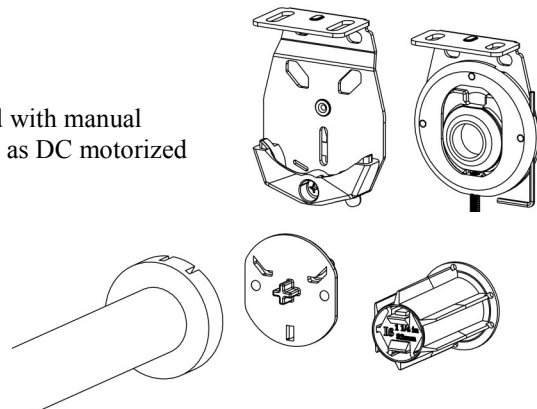
Cassette 100 Brackets

Features and Benefits:

- Used with C8 clutches and DC motorization
- Adjustable height idler brackets allows for small fabric position corrections
- Maximum bracket weight capacity - 20 lbs.



Cassette brackets can be used with manual shade clutch hardware as well as DC motorized shade hardware



CIERA Industries Inc.
Valencia CA

661-263-8505 Phone
661-263-8305 Fax
sales@cierainc.com E-mail
www.cierainc.com Website